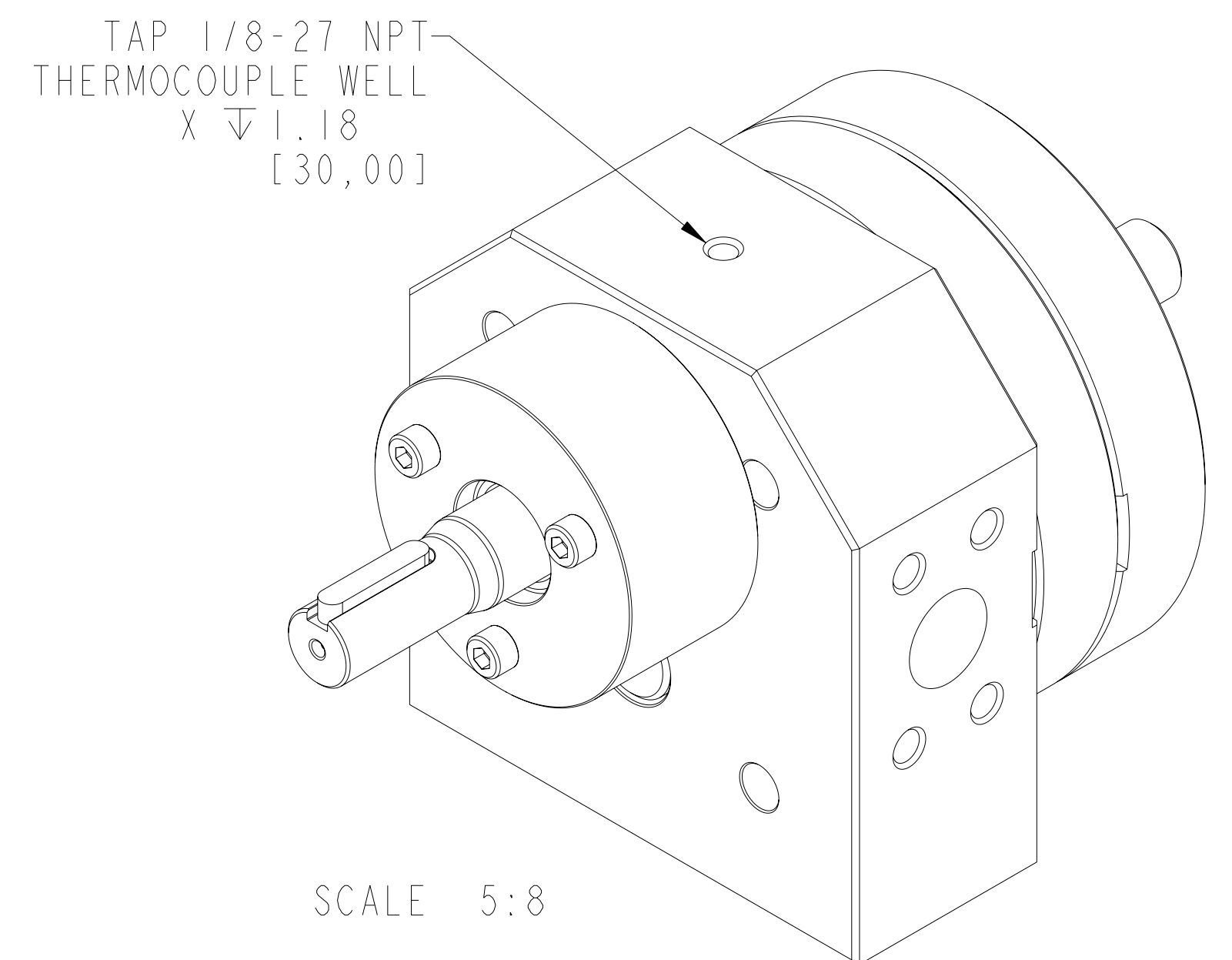
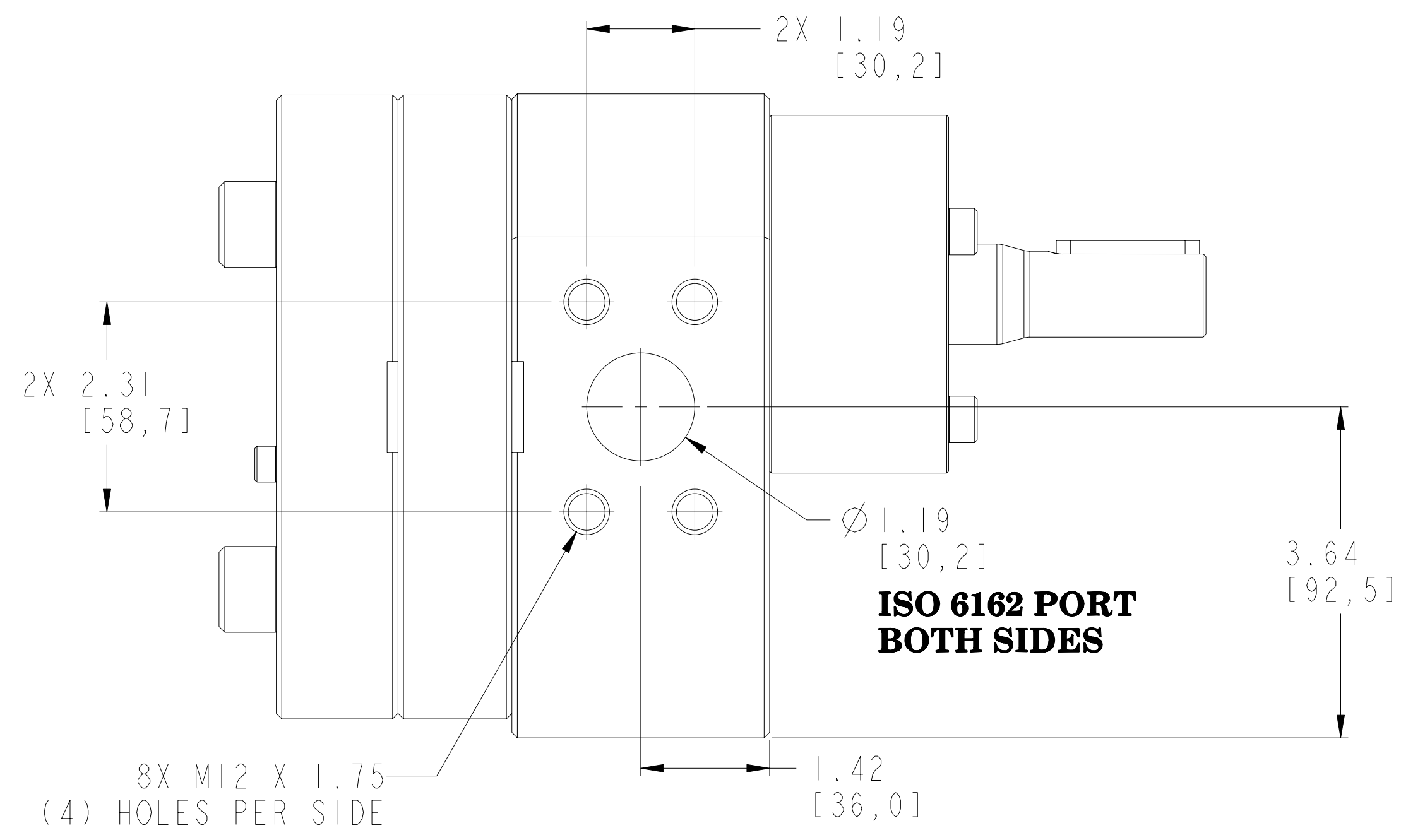
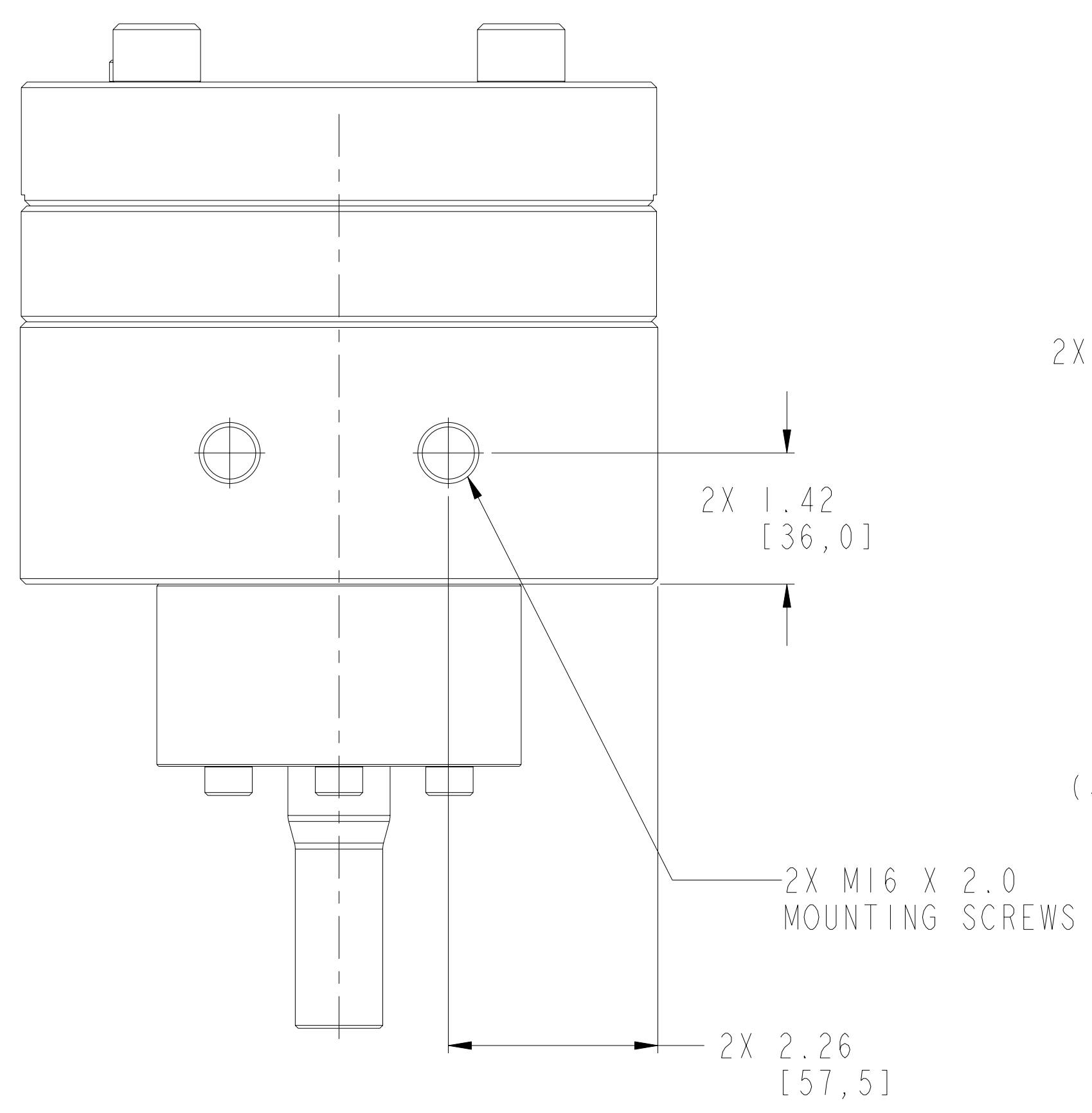
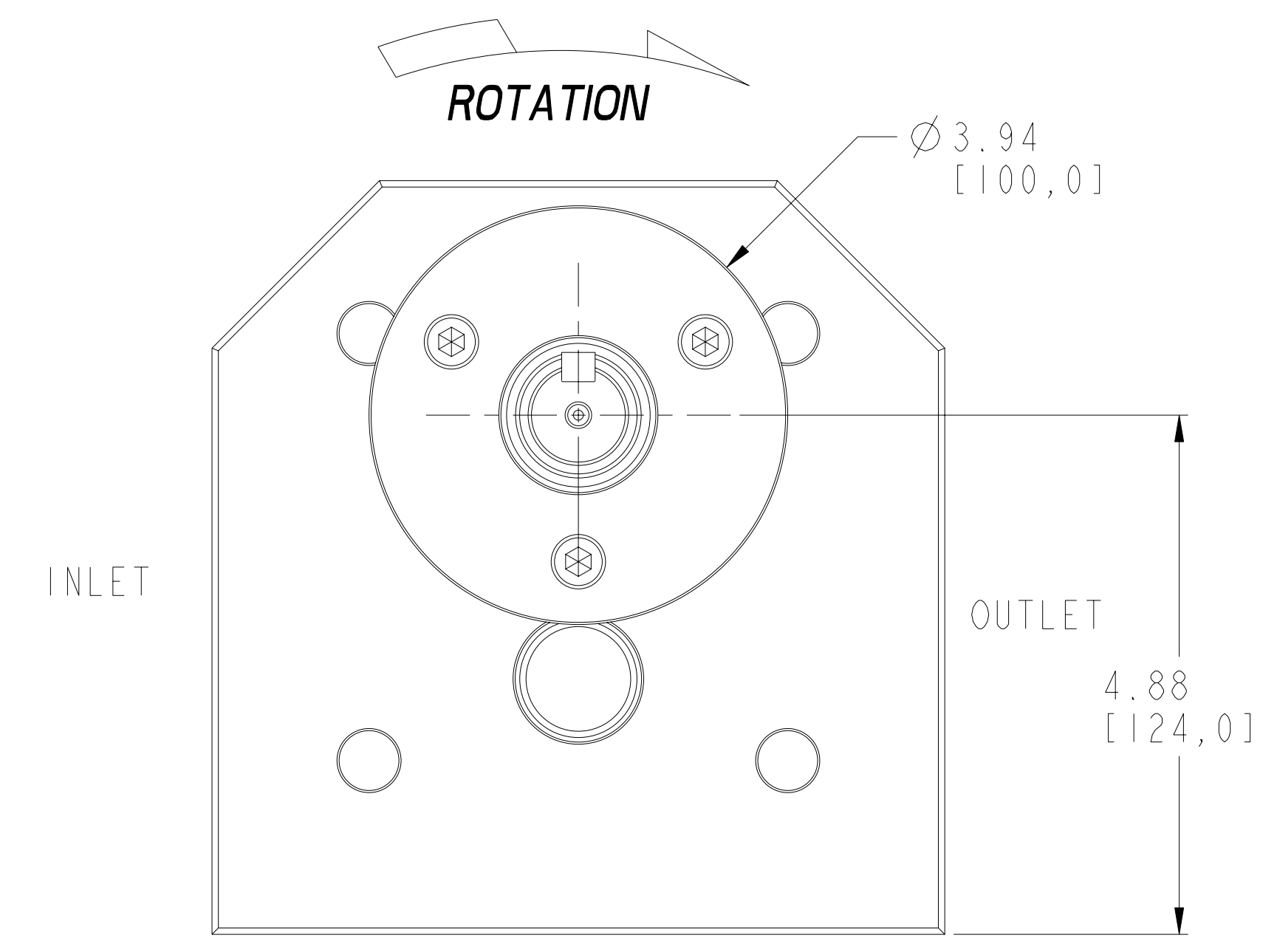
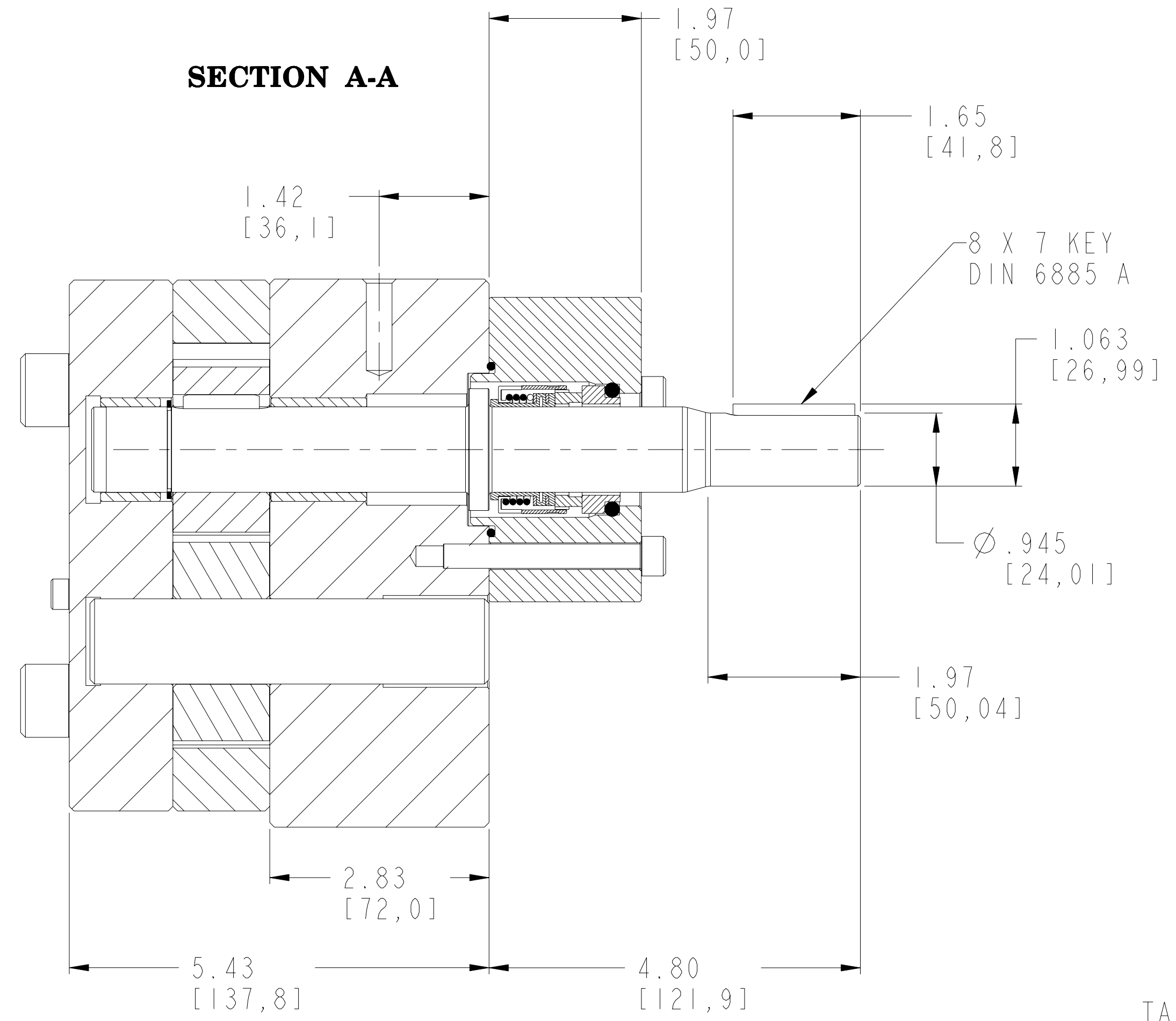
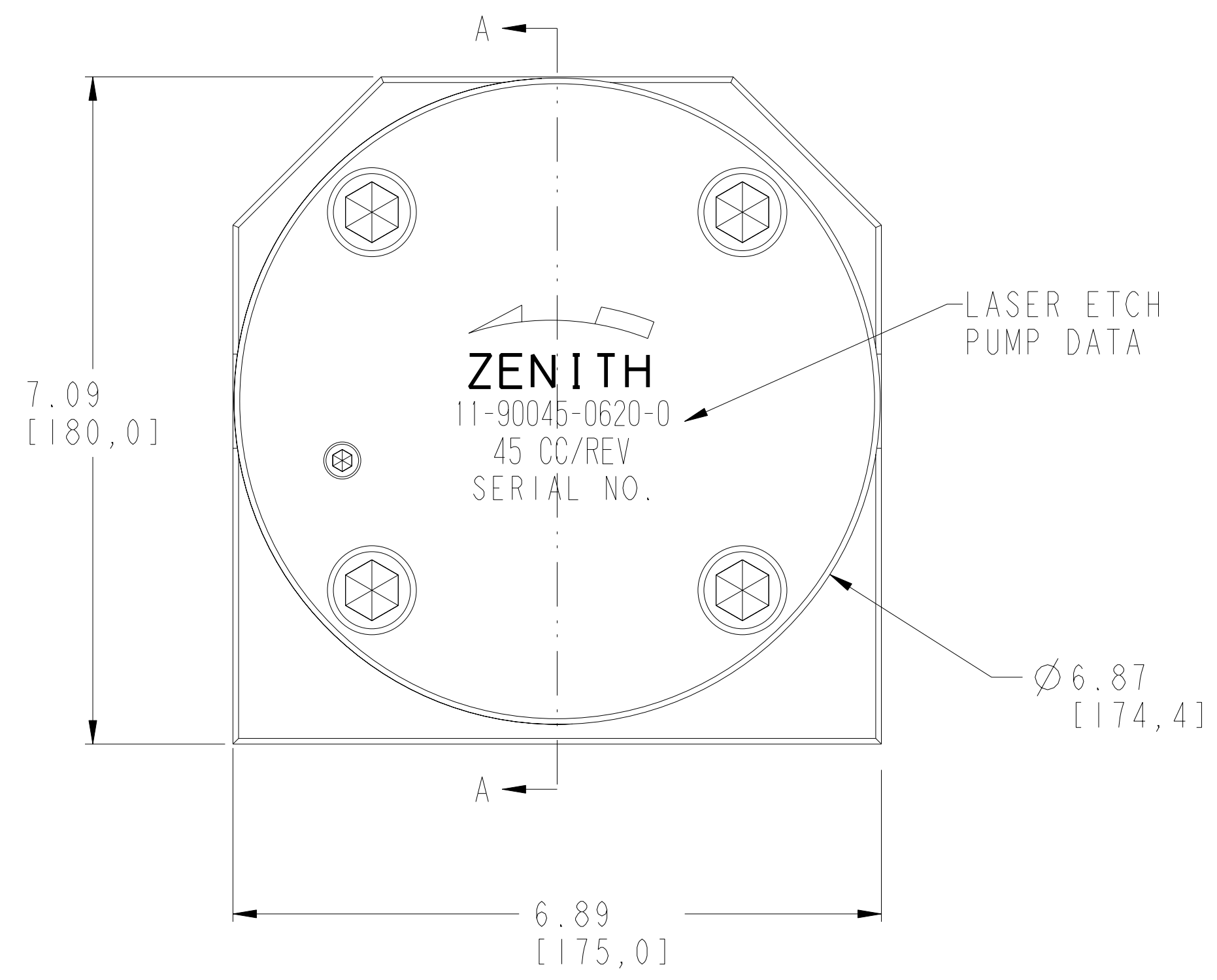


**TORQUE NOTES**  
**M6 ALLOY BOLTS - LUBRICATED: 108 lb.-in.**  
**M8 ALLOY BOLTS - LUBRICATED: 262 lb.-in.**  
**M16 ALLOY BOLTS - LUBRICATED: 2250 lb.-in.**  
**M12 ALLOY FLANGE BOLTS - LUBRICATED: 910 lb.-in.**

REVISIONS			
LTR	DESCRIPTION	DATE	APPROVED



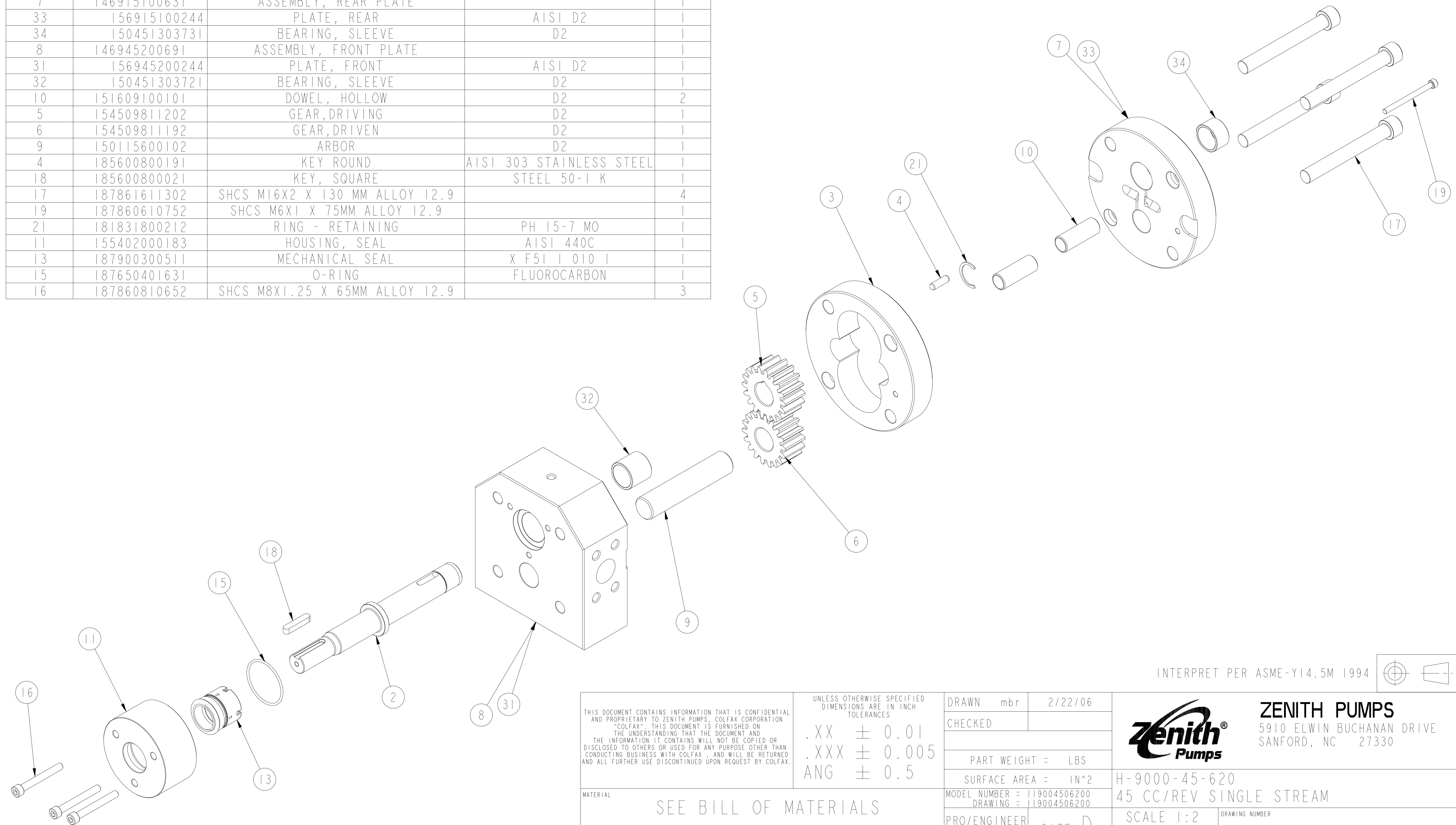
INTERPRET PER ASME-Y14.5M 1994

<p>THIS DOCUMENT CONTAINS INFORMATION THAT IS CONFIDENTIAL AND PROPRIETARY TO ZENITH PUMPS, COLFAX CORPORATION "COLFAX". THIS DOCUMENT IS FURNISHED ON THE UNDERSTANDING THAT THE DOCUMENT AND THE INFORMATION IT CONTAINS WILL NOT BE COPIED OR DISCLOSED TO OTHERS OR USED FOR ANY PURPOSE OTHER THAN CONDUCTING BUSINESS WITH COLFAX, AND WILL BE RETURNED AND ALL FURTHER USE DISCONTINUED UPON REQUEST BY COLFAX.</p>	UNLESS OTHERWISE SPECIFIED DIMENSIONS ARE IN INCH TOLERANCES	DRAWN mbr 2/22/06	<p><b>ZENITH PUMPS</b>          5910 ELWIN BUCHANAN DRIVE          SANFORD, NC 27330</p>	
	.XX ± 0.01 .XXX ± 0.005 ANG ± 0.5	CHECKED		<p>PART WEIGHT = LBS</p> <p>SURFACE AREA = IN<sup>2</sup></p>
	MATERIAL SEE BILL OF MATERIALS	PRO/ENGINEER DRAWING	SIZE D	<p>H-9000-45-620          45 CC/REV SINGLE STREAM</p>
		<p>MODEL NUMBER = 119004506200          DRAWING = 119004506200</p>		<p>SCALE 3:4          SHEET 1 OF 2</p>

DRAWING NUMBER 11-90045-0620-0

ITEM No.	PART NUMBER	PART NAME	MATERIAL	QTY
	119004506200	H-9000-45-620		1
2	157956800273	SHAFT, DRIVE	D2	1
3	156925100284	PLATE, GEAR	D2	1
7	146915100631	ASSEMBLY, REAR PLATE		1
33	156915100244	PLATE, REAR	AISI D2	1
34	150451303731	BEARING, SLEEVE	D2	1
8	146945200691	ASSEMBLY, FRONT PLATE		1
31	156945200244	PLATE, FRONT	AISI D2	1
32	150451303721	BEARING, SLEEVE	D2	1
10	151609100101	DOWEL, HOLLOW	D2	2
5	154509811202	GEAR, DRIVING	D2	1
6	154509811192	GEAR, DRIVEN	D2	1
9	150115600102	ARBOR	D2	1
4	185600800191	KEY ROUND	AISI 303 STAINLESS STEEL	1
18	185600800021	KEY, SQUARE	STEEL 50-1 K	1
17	187861611302	SHCS M16X2 X 130 MM ALLOY 12.9		4
19	187860610752	SHCS M6X1 X 75MM ALLOY 12.9		1
21	181831800212	RING - RETAINING	PH 15-7 MO	1
11	155402000183	HOUSING, SEAL	AISI 440C	1
13	187900300511	MECHANICAL SEAL	X F51 I 010 I	1
15	187650401631	O-RING	FLUOROCARBON	1
16	187860810652	SHCS M8X1.25 X 65MM ALLOY 12.9		3

REVISIONS			
LTR	DESCRIPTION	DATE	ECN NO.



INTERPRET PER ASME-Y14.5M 1994

THIS DOCUMENT CONTAINS INFORMATION THAT IS CONFIDENTIAL AND PROPRIETARY TO ZENITH PUMPS, COLFAX CORPORATION "COLFAX". THIS DOCUMENT IS FURNISHED ON THE UNDERSTANDING THAT THE DOCUMENT AND THE INFORMATION IT CONTAINS WILL NOT BE COPIED OR DISCLOSED TO OTHERS OR USED FOR ANY PURPOSE OTHER THAN CONDUCTING BUSINESS WITH COLFAX, AND WILL BE RETURNED AND ALL FURTHER USE DISCONTINUED UPON REQUEST BY COLFAX.	UNLESS OTHERWISE SPECIFIED DIMENSIONS ARE IN INCH TOLERANCES .XX ± 0.01 .XXX ± 0.005 ANG ± 0.5	DRAWN mbr 2/22/06 CHECKED PART WEIGHT = LBS SURFACE AREA = IN^2	 <b>ZENITH PUMPS</b> 5910 ELWIN BUCHANAN DRIVE SANFORD, NC 27330 H-9000-45-620 45 CC/REV SINGLE STREAM
	MATERIAL SEE BILL OF MATERIALS	MODEL NUMBER = 119004506200 DRAWING = 119004506200 PRO/ENGINEER DRAWING SIZE D	