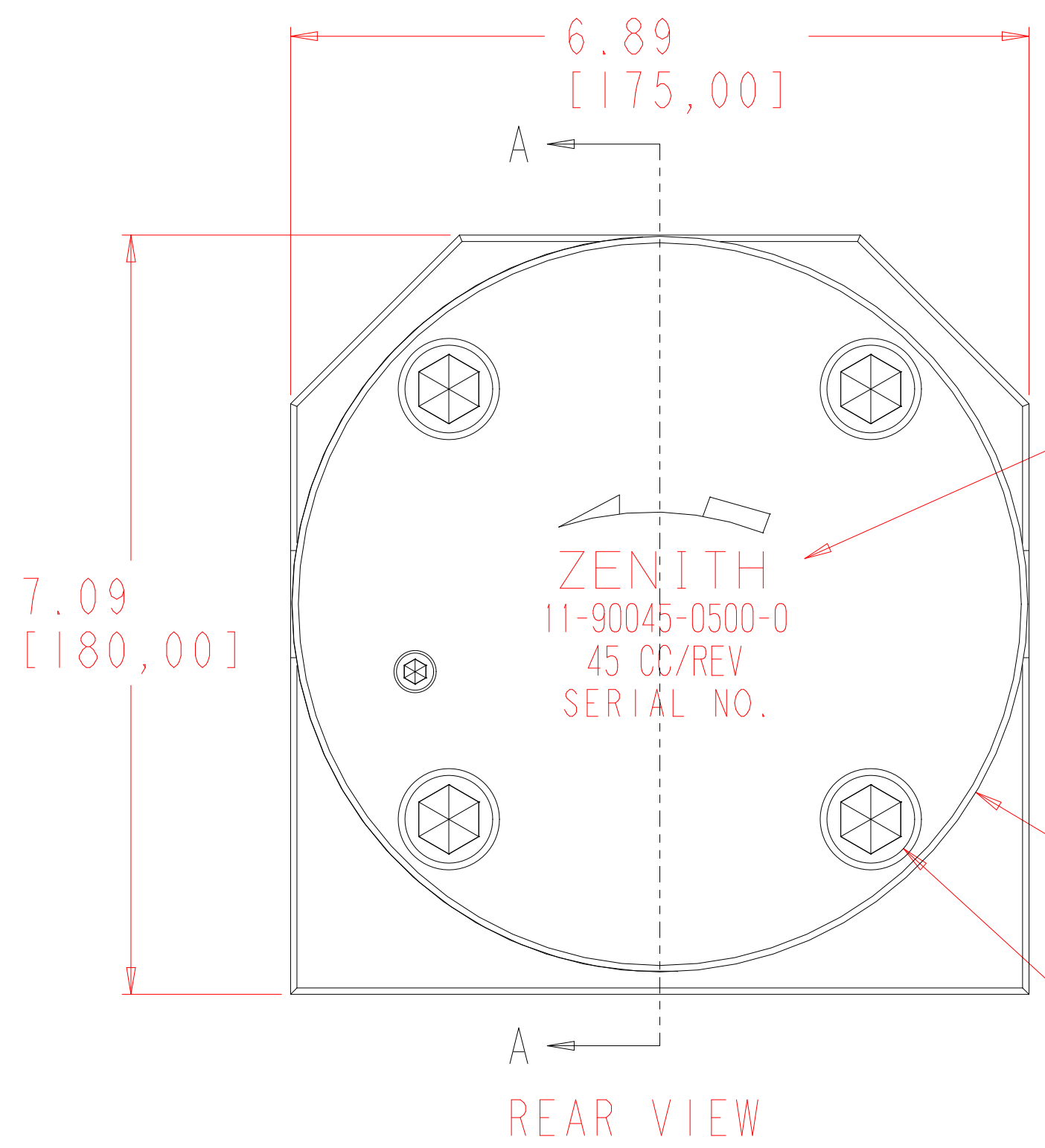
**NOTES:**

- 1) TIGHTEN M8 PACKING HOUSING BOLTS TO: 262 in-lb LUBRICATED
- 2) TIGHTEN M16 BINDER SCREWS TO: 2250 in-lb LUBRICATED
- 3) TIGHTEN M12 FLANGE SCREWS TO: 910 in-lb LUBRICATED
- 4) INSTALL HEX SCREWS FINGER TIGHT FOR SHIPPING
- 5) UPON INSTALLATION, TIGHTEN HEX SCREWS TO CONTROL LEAKAGE

REVISIONS			
LTR	DESCRIPTION	DATE	APPROVED
F	14-69452-0006-2 WAS 15-69452-0013-4	03-18-98	167-98
	14-69151-0006-2 WAS 15-69151-0013-4		
	ADDED 18-18318-0021-2 & LUBE NOTE		
	UPDATED SERIES 9000 PUMP DATA	03-18-98	620-97
G	WAS 18-56008-0020-1; REVISED TORQUE SPEC	5.6.2003	100-2003



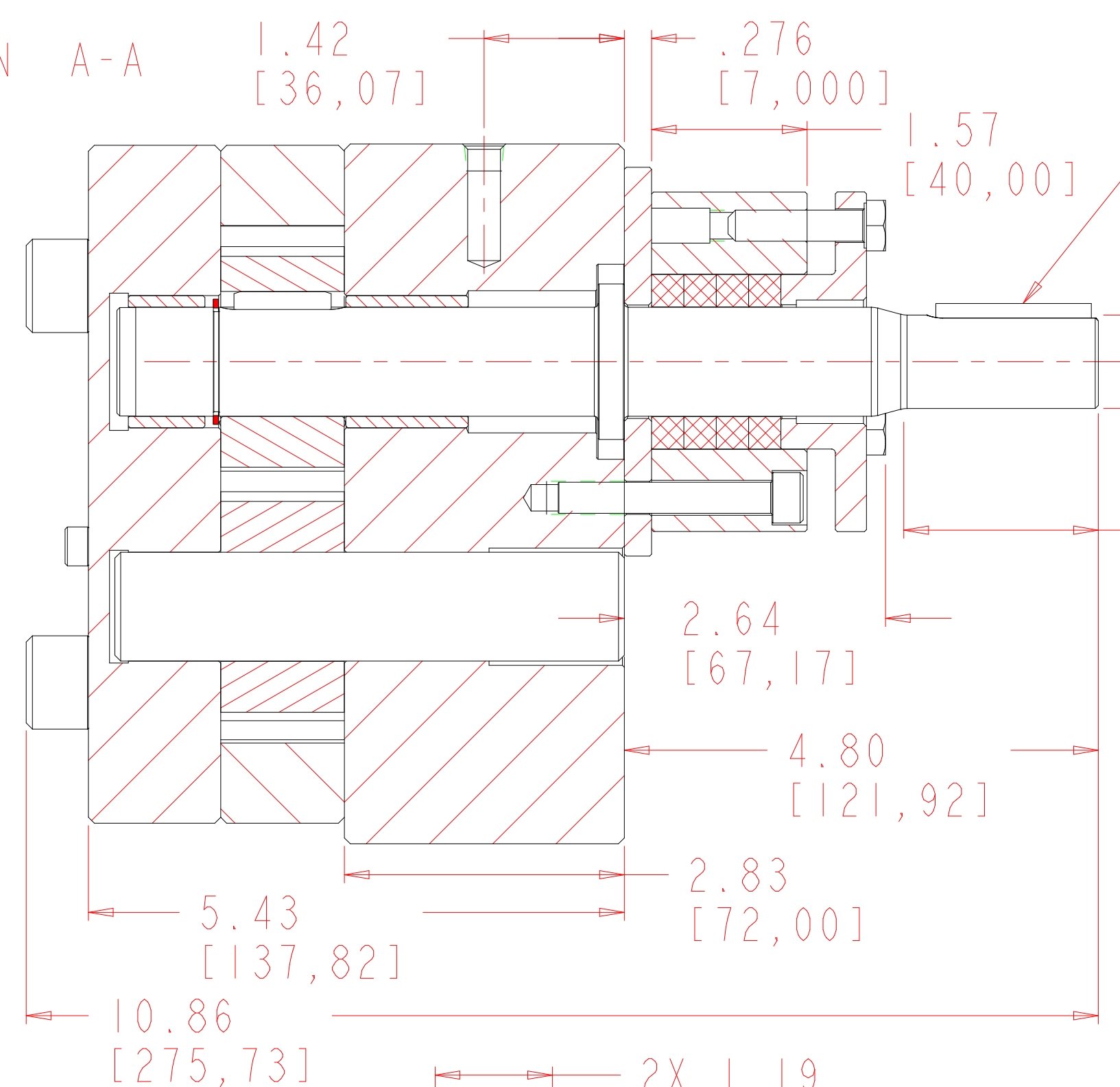
LASER ETCH PUMP DATA

ZENITH
11-90045-0500-0
45 CC/REV
SERIAL NO.

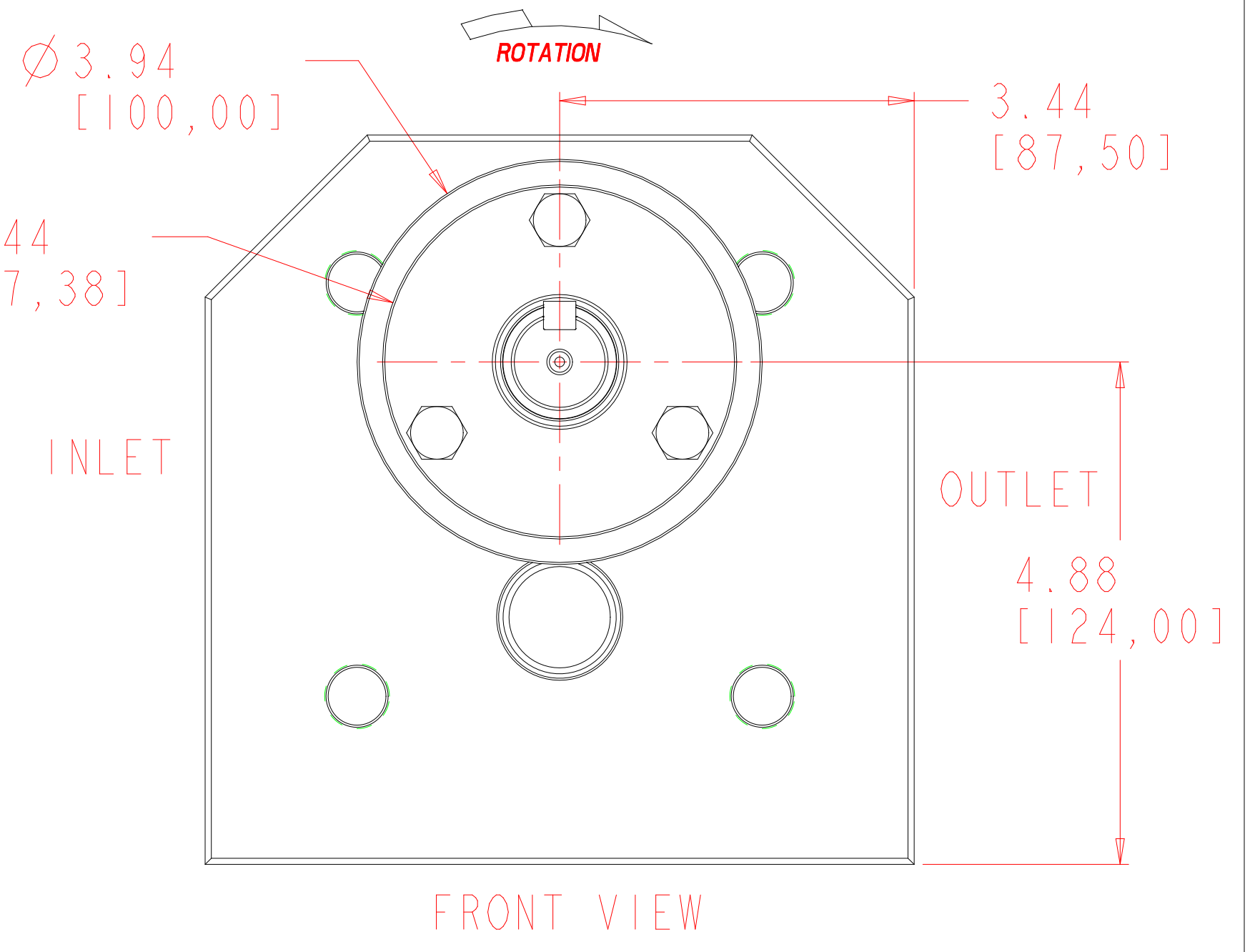
Ø 6.865 [174,371]

4X M16 X 2.0 BINDER SCREWS

SECTION A-A



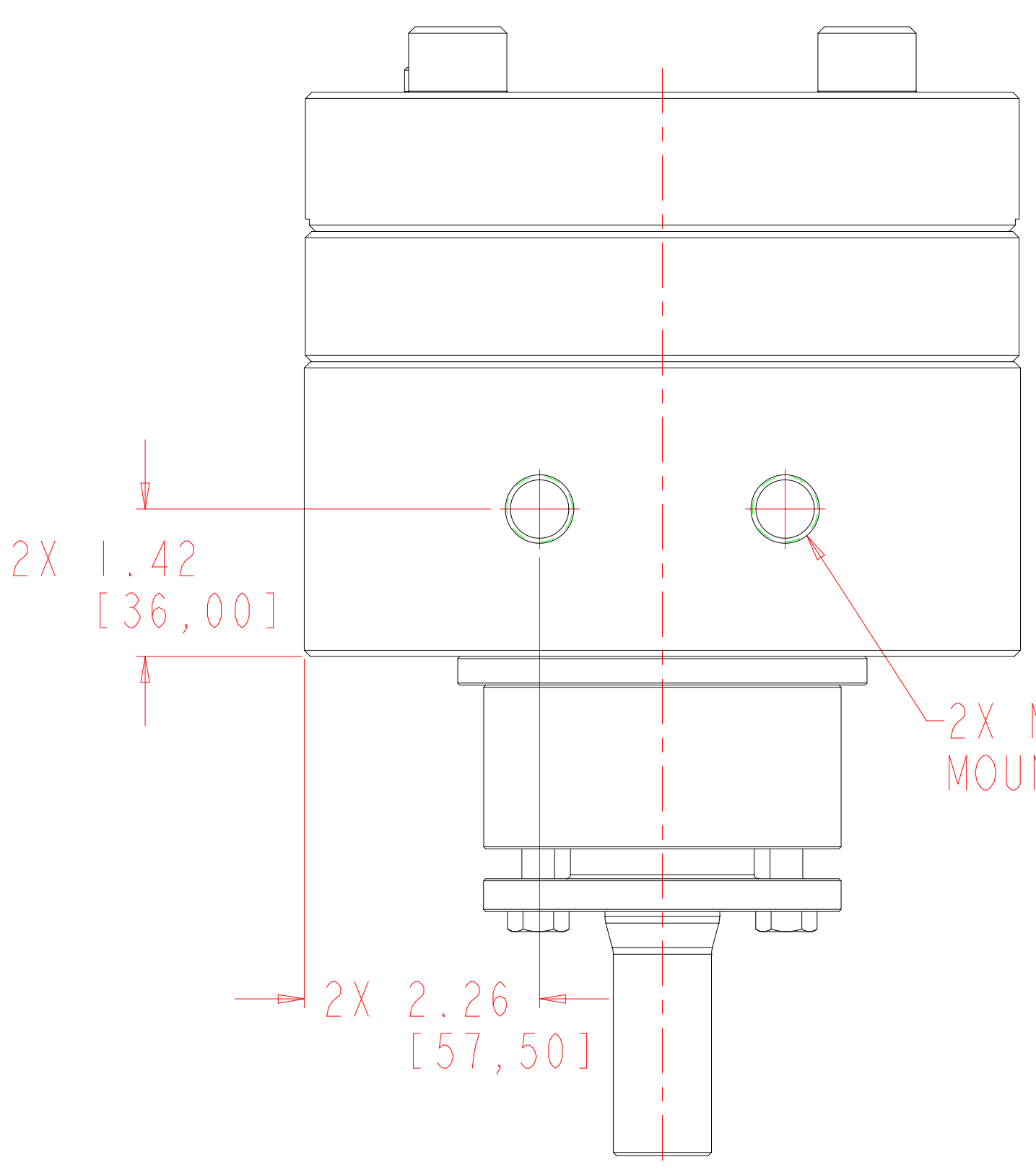
8 X 7 KEY
DIN 6885 A
Ø .945 [24,0]
k6



INLET

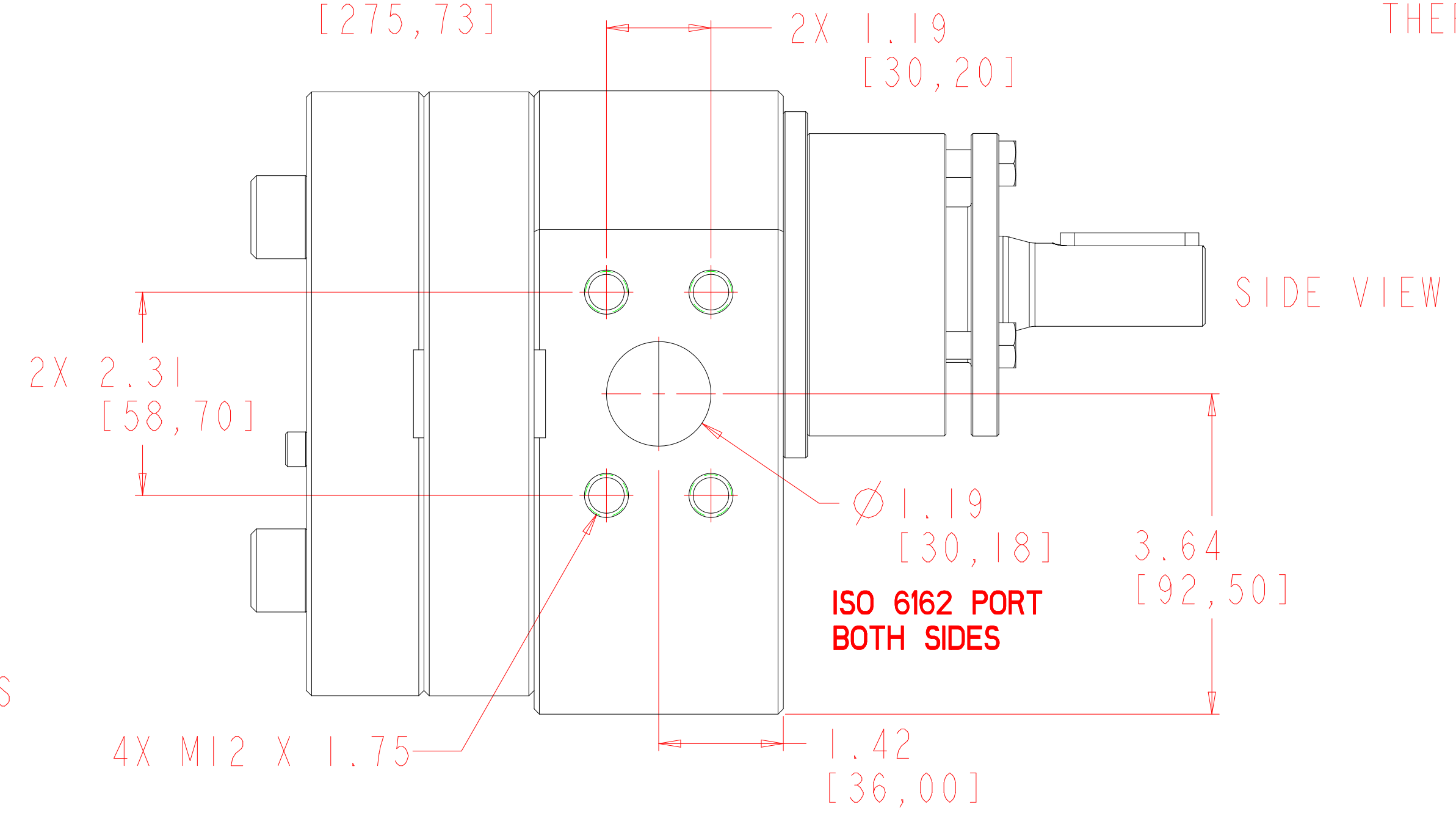
OUTLET

FRONT VIEW



2X M16 X 2.0 MOUNTING SCREWS

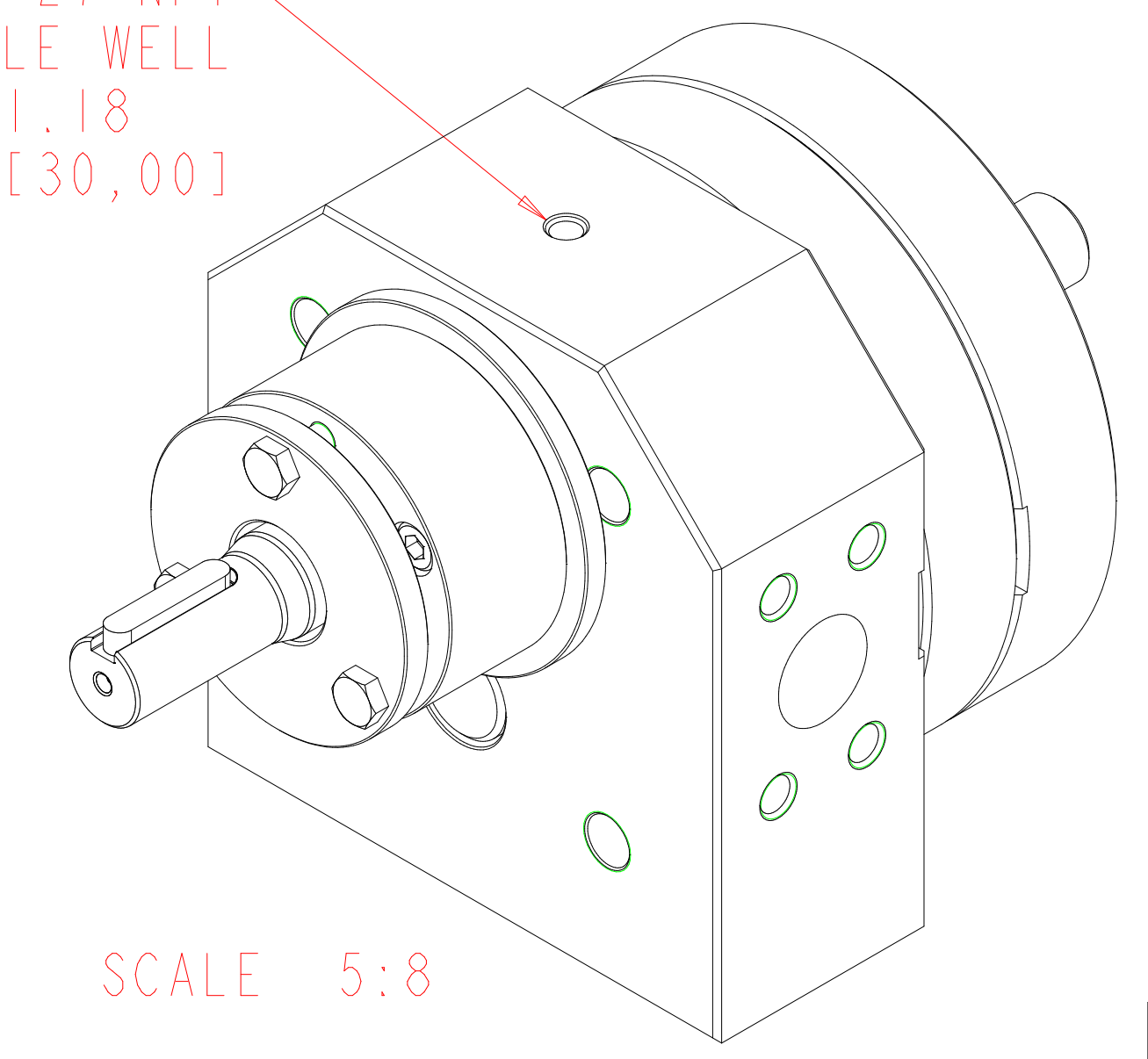
BOTTOM VIEW



SIDE VIEW

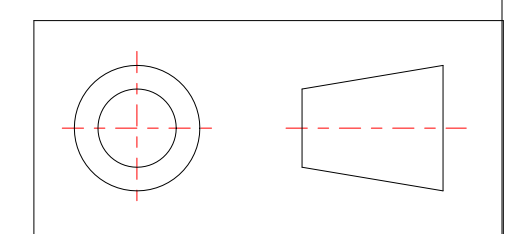
ISO 6162 PORT
BOTH SIDES

TAP 1/8-27 NPT
THERMOCOUPLE WELL
X 1.18 [30,00]



SCALE 5:8

INTERPRET PER ASME-Y14.5M 1994



DESIGN, SPECIFICATIONS, AND DETAILS CONTAINED ON OR REFERENCED TO ON THIS DRAWING ARE PROPRIETARY TO THE ZENITH DIVISION, PARKER HANNIFIN CORPORATION AND MAY NOT BE REPRODUCED, MANUFACTURED, OR OTHERWISE USED WITHOUT THE WRITTEN CONSENT OF THE ZENITH DIVISION, PARKER HANNIFIN CORPORATION

UNLESS OTHERWISE SPECIFIED DIMENSIONS ARE IN INCH TOLERANCES

.XX ± 0.01
.XXX ± 0.005
ANG ± 0.5

MATERIAL SEE BILL OF MATERIALS

DRAWN	MJW	06-11-95
CHECKED		
PRO/ENGINEER DRAWING	SIZE D	

Parker ZENITH PUMPS DIVISION
5910 ELWIN BUCHANAN DRIVE, SANFORD, NC 27330
PARKER HANNIFIN CORPORATION

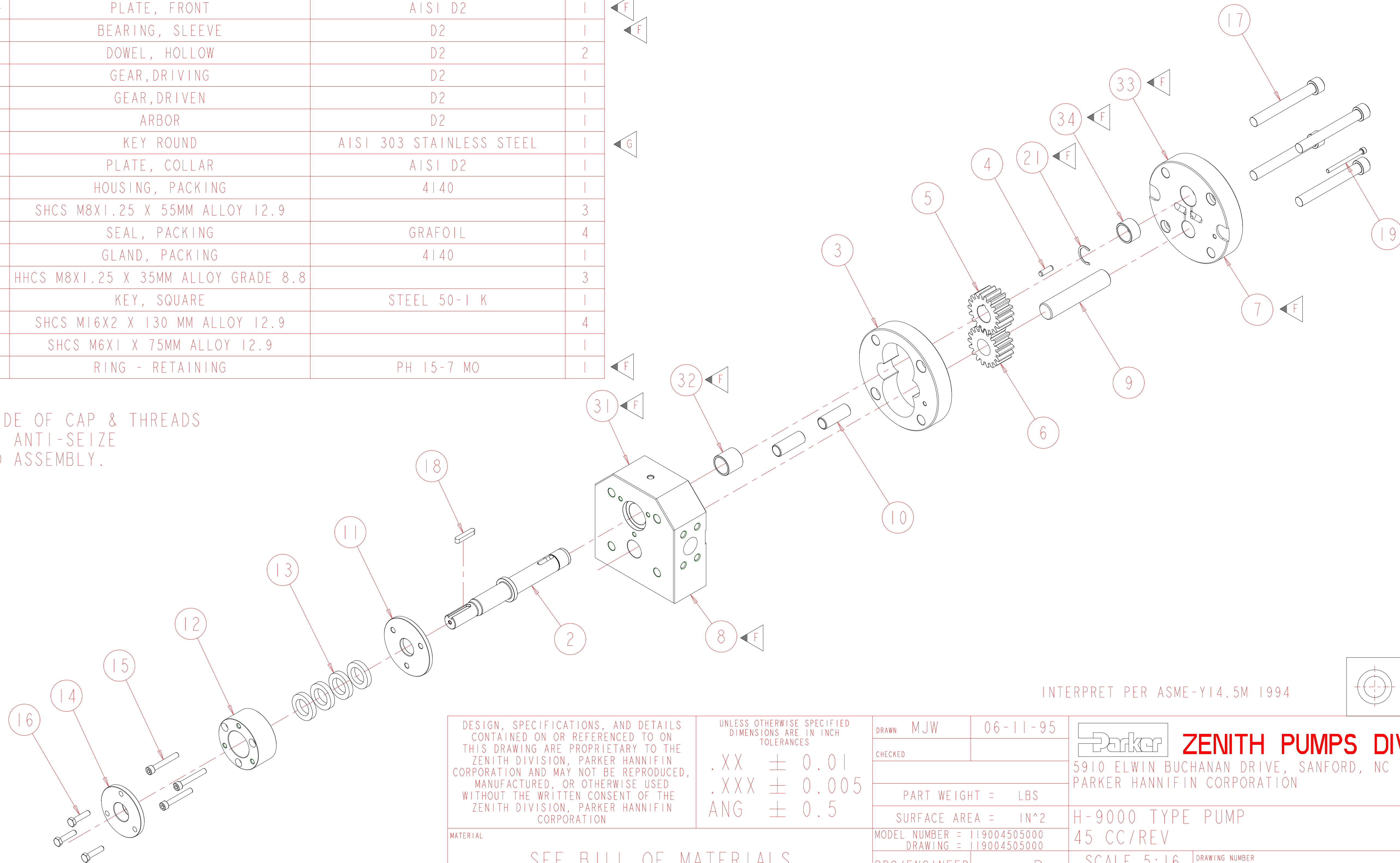
H-9000 TYPE PUMP
45 CC/REV

SCALE 3:4
SHEET 1 OF 2

DRAWING NUMBER
11-90045-0500-0

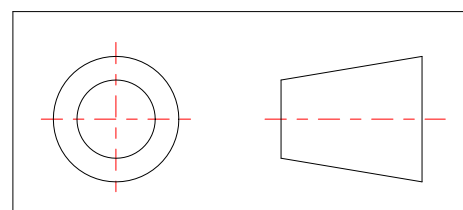
ITEM No.	PART NUMBER	PART NAME	MATERIAL	QTY
	119004505000	H-9000 TYPE PUMP	SEE BILL OF MATERIALS	1
2	157956800273	SHAFT, DRIVE	D2	1
3	156925100284	PLATE, GEAR	D2	1
7	146915100062	ASSEMBLY, REAR PLATE		1
33	156915100244	PLATE, REAR	AISI D2	1
34	150451303321	BEARING, SLEEVE	D2	1
8	146945200062	ASSEMBLY, FRONT PLATE		1
31	156945200244	PLATE, FRONT	AISI D2	1
32	150451303271	BEARING, SLEEVE	D2	1
10	151609100101	DOWEL, HOLLOW	D2	2
5	154509811202	GEAR, DRIVING	D2	1
6	154509811192	GEAR, DRIVEN	D2	1
9	150115600102	ARBOR	D2	1
4	185600800191	KEY ROUND	AISI 303 STAINLESS STEEL	1
11	156371000093	PLATE, COLLAR	AISI D2	1
12	155400601813	HOUSING, PACKING	4140	1
15	187860810552	SHCS M8X1.25 X 55MM ALLOY 12.9		3
13	187900101811	SEAL, PACKING	GRAFOIL	4
14	155100102073	GLAND, PACKING	4140	1
16	187890810352	HHCS M8X1.25 X 35MM ALLOY GRADE 8.8		3
18	185600800021	KEY, SQUARE	STEEL 50-1 K	1
17	187861611302	SHCS M16X2 X 130 MM ALLOY 12.9		4
19	187860610752	SHCS M6X1 X 75MM ALLOY 12.9		1
21	181831800212	RING - RETAINING	PH 15-7 MO	1

REVISIONS			
LTR	DESCRIPTION	DATE	APPROVED
F	14-69452-0006-2 WAS 15-69452-0013-4	03-18-98	167-98
	14-69151-0006-2 WAS 15-69151-0013-4		
	ADDED 18-18318-0021-2 & LUBE NOTE		
	UPDATED SERIES 9000 PUMP DATA	03-18-98	620-97
G	WAS 18-56008-0020-1; REVISED TORQUE SPEC	5.6.2003	100-2003




 LUBRICATE UNDERSIDE OF CAP & THREADS ON FASTENERS WITH ANTI-SEIZE COMPOUND PRIOR TO ASSEMBLY.

INTERPRET PER ASME-Y14.5M 1994



DESIGN, SPECIFICATIONS, AND DETAILS CONTAINED ON OR REFERENCED TO ON THIS DRAWING ARE PROPRIETARY TO THE ZENITH DIVISION, PARKER HANNIFIN CORPORATION AND MAY NOT BE REPRODUCED, MANUFACTURED, OR OTHERWISE USED WITHOUT THE WRITTEN CONSENT OF THE ZENITH DIVISION, PARKER HANNIFIN CORPORATION

UNLESS OTHERWISE SPECIFIED DIMENSIONS ARE IN INCH TOLERANCES

.XX ± 0.01
 .XXX ± 0.005
 ANG ± 0.5

MATERIAL

SEE BILL OF MATERIALS

DRAWN MJW 06-11-95

CHECKED

PART WEIGHT = LBS

SURFACE AREA = IN²

MODEL NUMBER = 119004505000
DRAWING = 119004505000

PRO/ENGINEER
DRAWING

SIZE D



ZENITH PUMPS DIVISION

5910 ELWIN BUCHANAN DRIVE, SANFORD, NC 27330
PARKER HANNIFIN CORPORATION

H-9000 TYPE PUMP
45 CC/REV

SCALE 5:16
SHEET 2 OF 2

DRAWING NUMBER

11-90045-0500-0