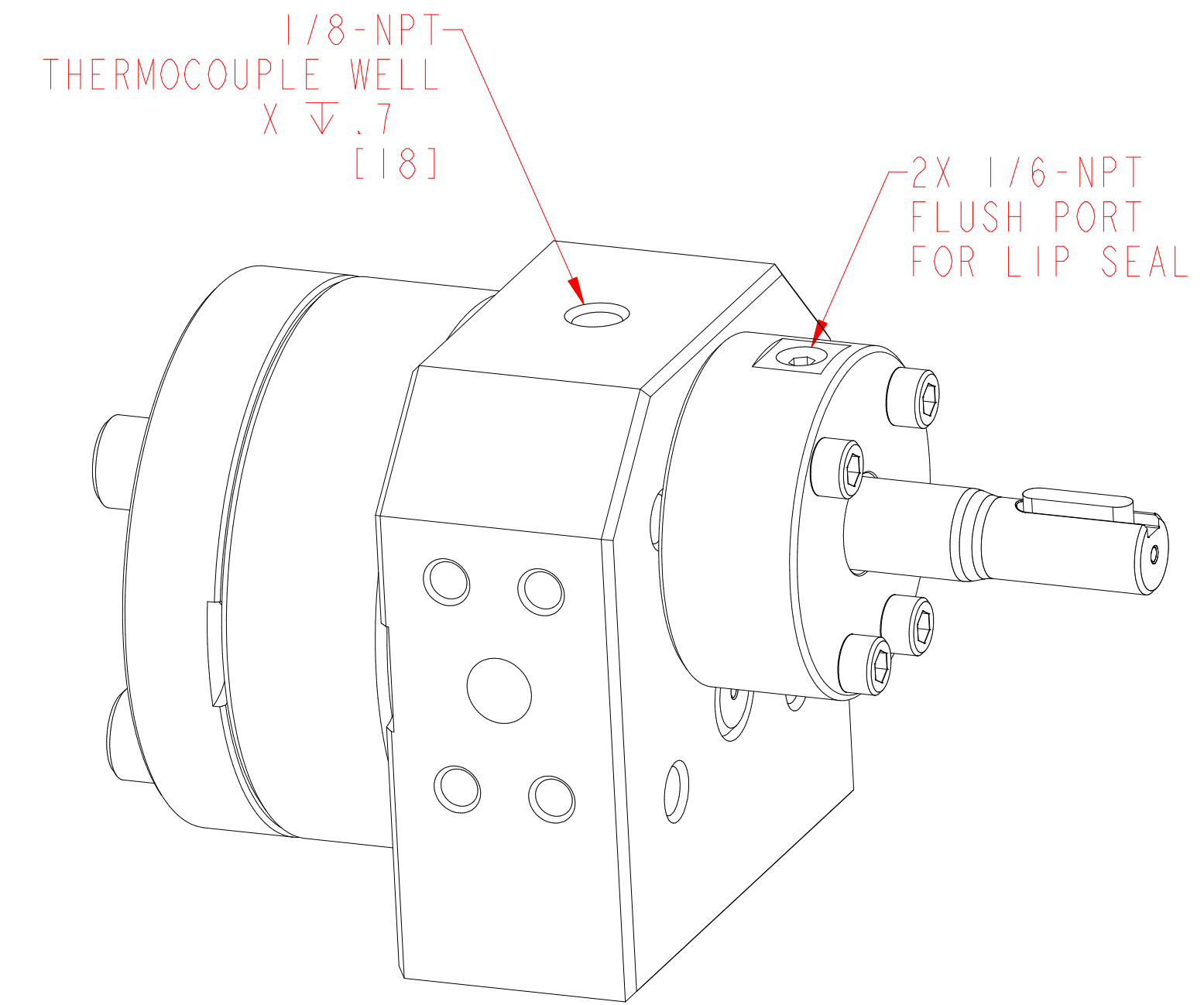
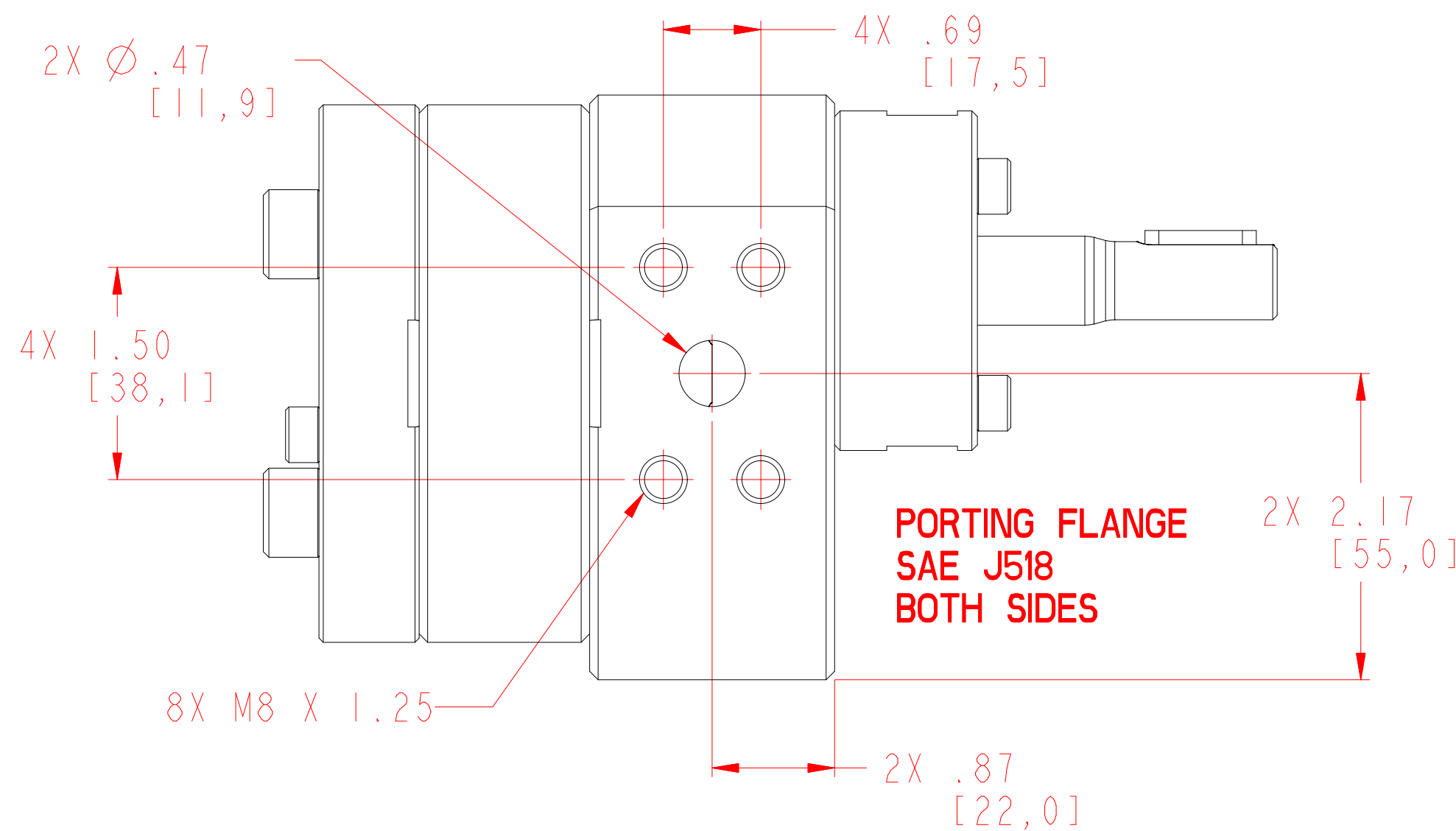
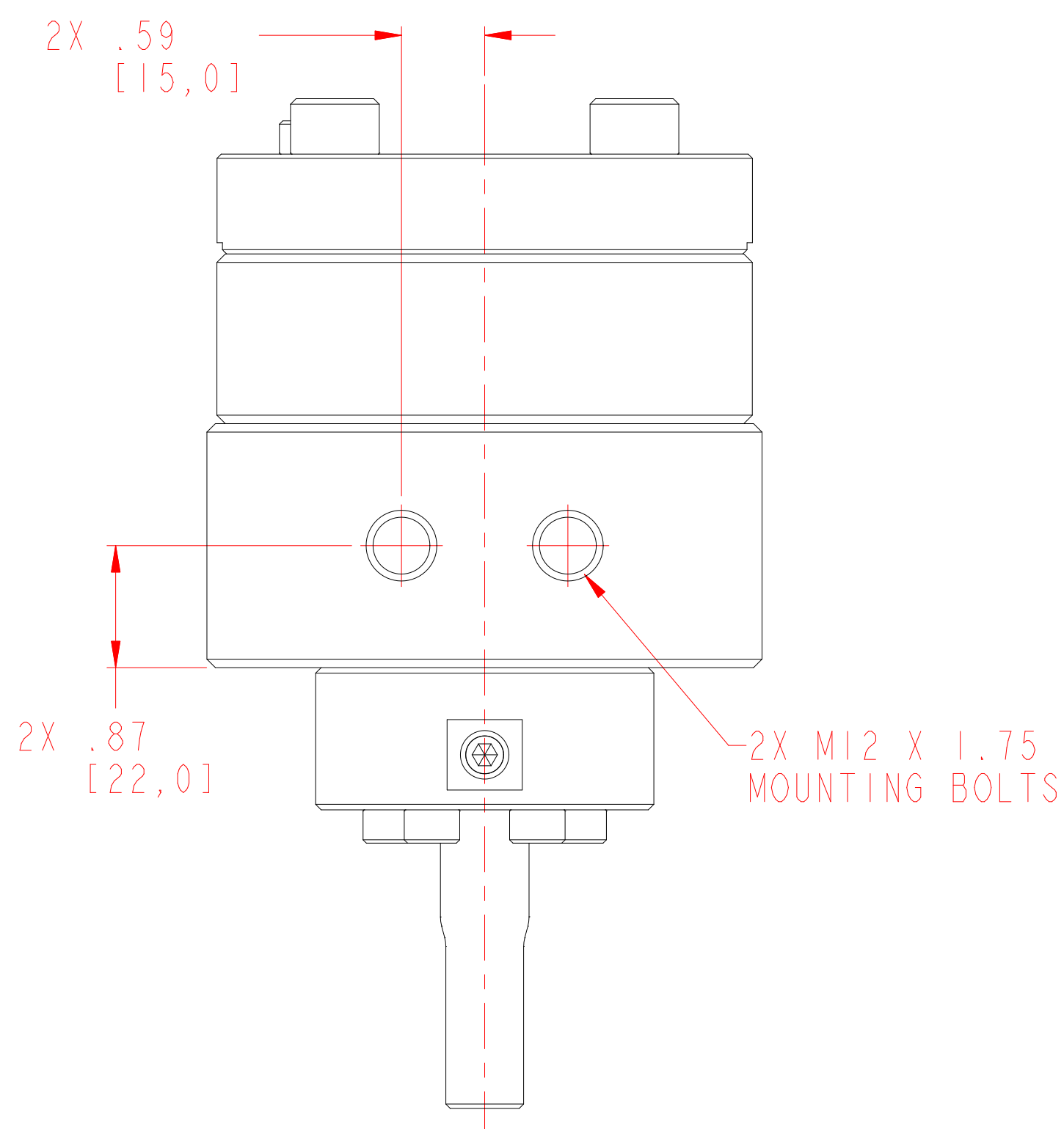
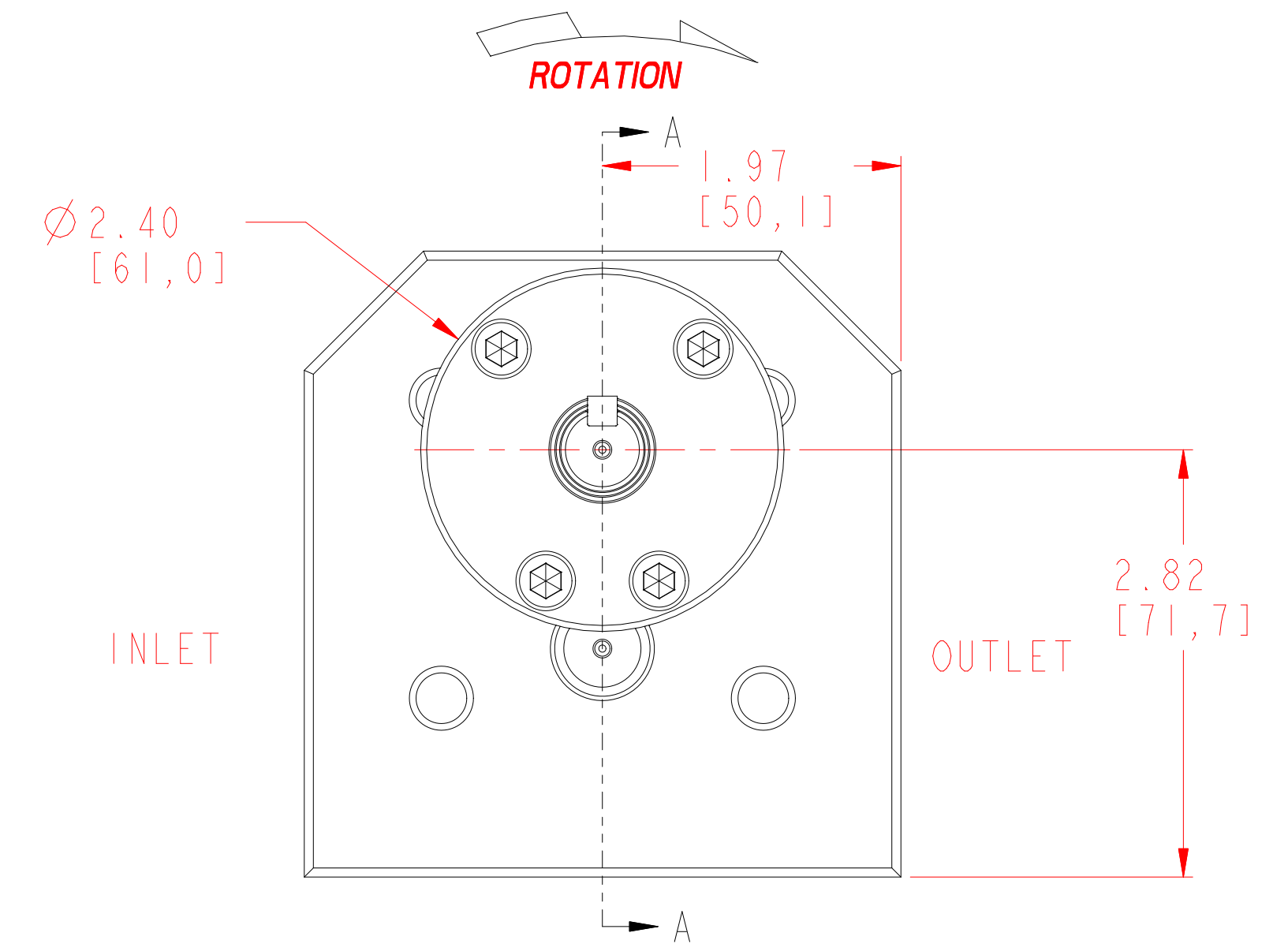
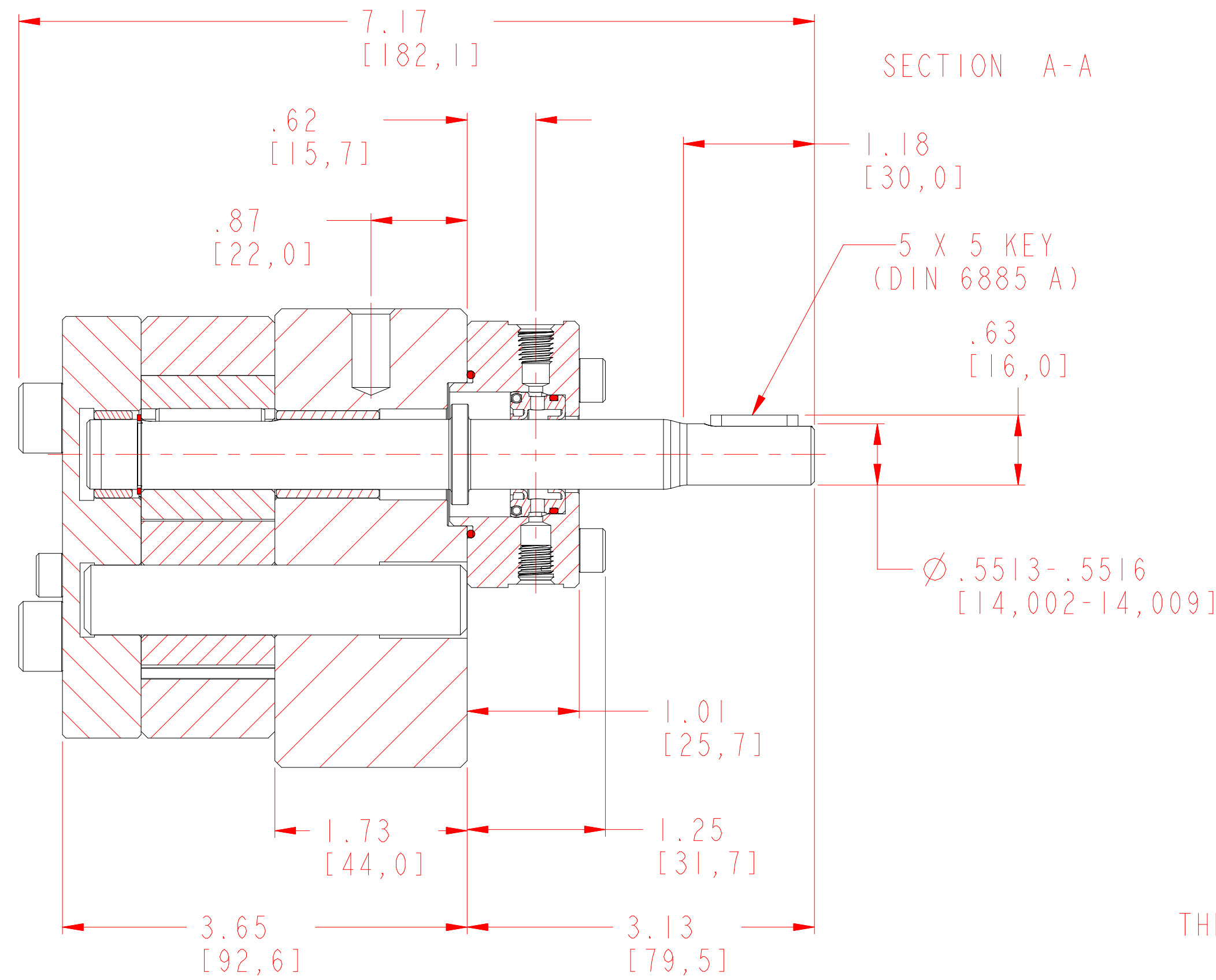
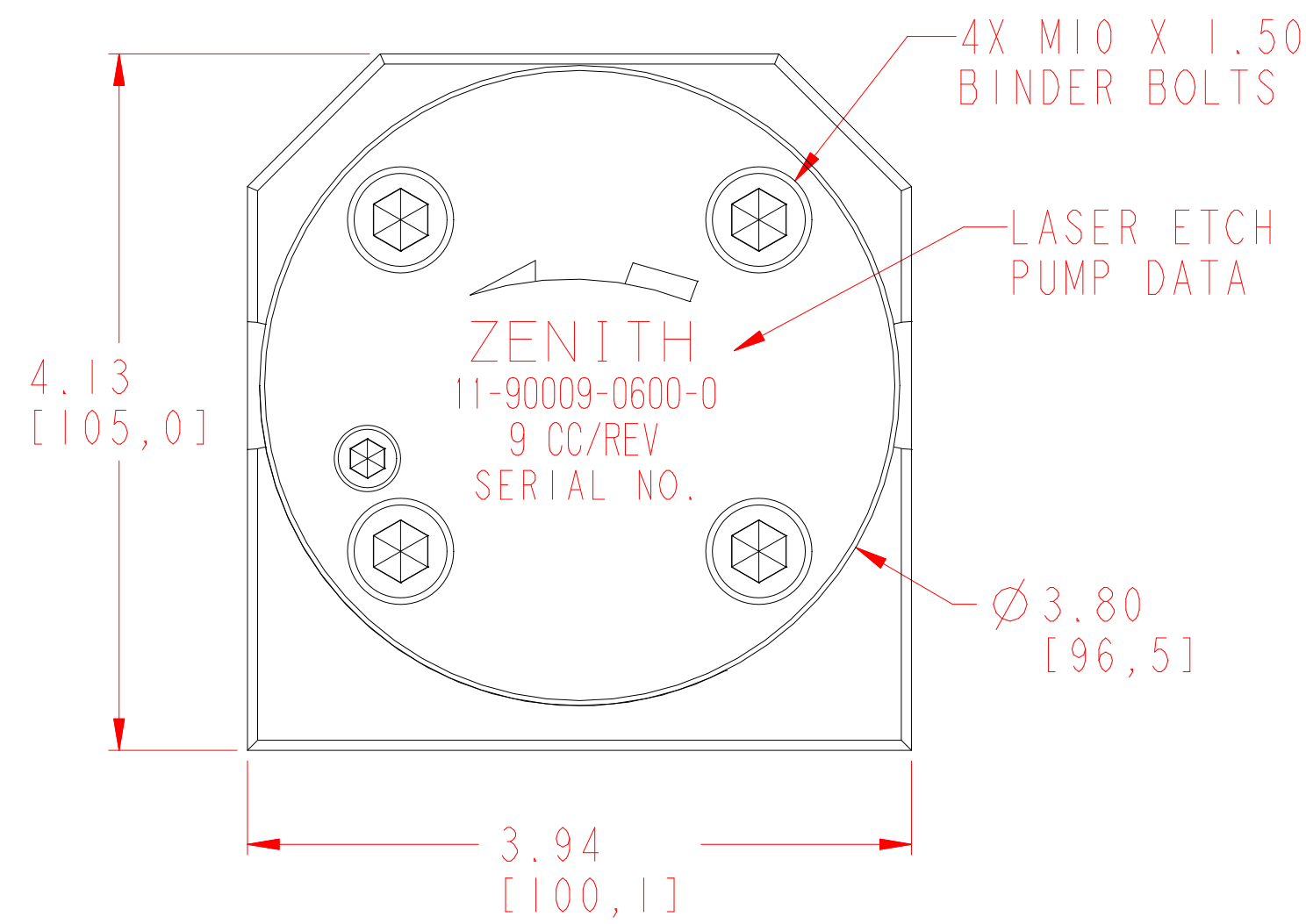


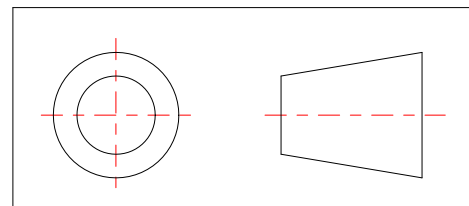
**TORQUE SPECIFICATIONS:**

1. TIGHTEN 10MM BOLTS TO:  
684 in-lb NON-LUBRICATED; 519 in-lb LUBRICATED
2. TIGHTEN M6 BOLTS TO:  
142 in-lb NON-LUBRICATED; 108 in-lb LUBRICATED
3. TIGHTEN M8 BOLTS TO:  
345 in-lb NON-LUBRICATED; 262 in-lb LUBRICATED

REVISIONS			
LTR	DESCRIPTION	DATE	ECN NO.
E	CHANGED D2 MAT'LS TO M2, M4, & CPM-M4; CORRECTED TORQUE SPECS; WAS 18-76504-0165-1	3.1.2004	085-2004



INTERPRET PER ASME-Y14.5M 1994



<p>THIS DOCUMENT CONTAINS INFORMATION THAT IS CONFIDENTIAL AND PROPRIETARY TO ZENITH PRODUCTS DIVISION, PARKER HANNIFIN CORPORATION ("PARKER"). THIS DOCUMENT IS FURNISHED ON THE UNDERSTANDING THAT THE DOCUMENT AND THE INFORMATION IT CONTAINS WILL NOT BE COPIED OR DISCLOSED TO OTHERS OR USED FOR ANY PURPOSE OTHER THAN CONDUCTING BUSINESS WITH PARKER, AND WILL BE RETURNED AND ALL FURTHER USE DISCONTINUED UPON REQUEST BY PARKER. COPYRIGHT PARKER, YEAR OF COPYRIGHT IS FIRST YEAR INDICATED ON THIS DOCUMENT. ALL RIGHTS RESERVED.</p>	<p>UNLESS OTHERWISE SPECIFIED DIMENSIONS ARE IN INCH TOLERANCES</p> <p>.XX ± 0.01 .XXX ± 0.005 ANG ± 0.5</p>	<p>DRAWN LG 3.1.2004</p>	<p><b>Parker ZENITH PRODUCTS DIVISION</b> 5910 ELWIN BUCHANAN DRIVE, SANFORD, NC 27330 PARKER HANNIFIN CORPORATION</p>	
		<p>CHECKED</p>		
<p>MATERIAL</p> <p>SEE BILL OF MATERIAL ON SHEET 2 OF 2</p>	<p>PRO/ENGINEER DRAWING</p>	<p>PART WEIGHT = LBS</p>	<p>H-9000 9.0 CC/REV RAN-600 SINGLE STREAM 9.0 CC/REV</p>	
		<p>MODEL NUMBER = 119000906000 DRAWING = 119000906000</p>		<p>SCALE 1:1</p>
		<p>SIZE D</p>		<p>SHEET 1 OF 2</p>
		<p>DRAWING NUMBER</p> <p>11-90009-0600-0</p>		

ITEM No.	PART NUMBER	PART NAME	MATERIAL	QTY
	119000906000	H-9000 9.0 CC/REV RAN-600		1
2	157956801291	SHAFT, DRIVE	CPM-M4	1
16	181831800142	RING - RETAINING	PH 15-7 MO	1
3	156925100741	PLATE, GEAR	M2	1
4	185600800151	KEY, ROUND	FREE CUTTING STEEL	1
5	152523000081	GEAR, DRIVING	CPM-M4 OR EQUIV.	1
6	152513000081	GEAR, DRIVEN	CPM-M4 OR EQUIV.	1
7	146915100442	ASSEMBLY, REAR PLATE		1
33	156915100564	PLATE, REAR	M2	1
34	150451603002	BEARING, SLEEVE	M4	1
8	146945200492	ASSEMBLY, FRONT PLATE		1
31	156945200624	PLATE, FRONT	M2	1
32	150451602994	BEARING, SLEEVE	M4	1
9	150115600771	ARBOR	CPM-M4	1
10	151609100571	DOWEL, HOLLOW	M2	2
11	155401900413	HOUSING, LIPSEAL	440C	1
12	147900400022	SUB-ASSEMBLY, ASSY INSTRUCTION	SEE BILL OF MATERIALS	1
41	150013100652	SEAL ASSEMBLY TOOL	ACETAL COPOLYMER	1
13	187900401341	TANDEM LIP SEAL	CARB. FIBER FILLED PTFE	1
21	187650401891_INV	O-RING	EPDM	1
14	187860610352	SHCS M6XI X 35MM ALLOY 12.9		4
15	185600800051	KEY, SQUARE	STEEL 50-1 K	1
17	187860610602	SHCS M6XI X 60MM ALLOY 12.9		1
18	187861010902	SHCS M10XI.5 X 90 MM ALLOY 12.9		4
19	187300000071	PLUG, DRYSEAL TYPE	AUSTENITIC SS	2

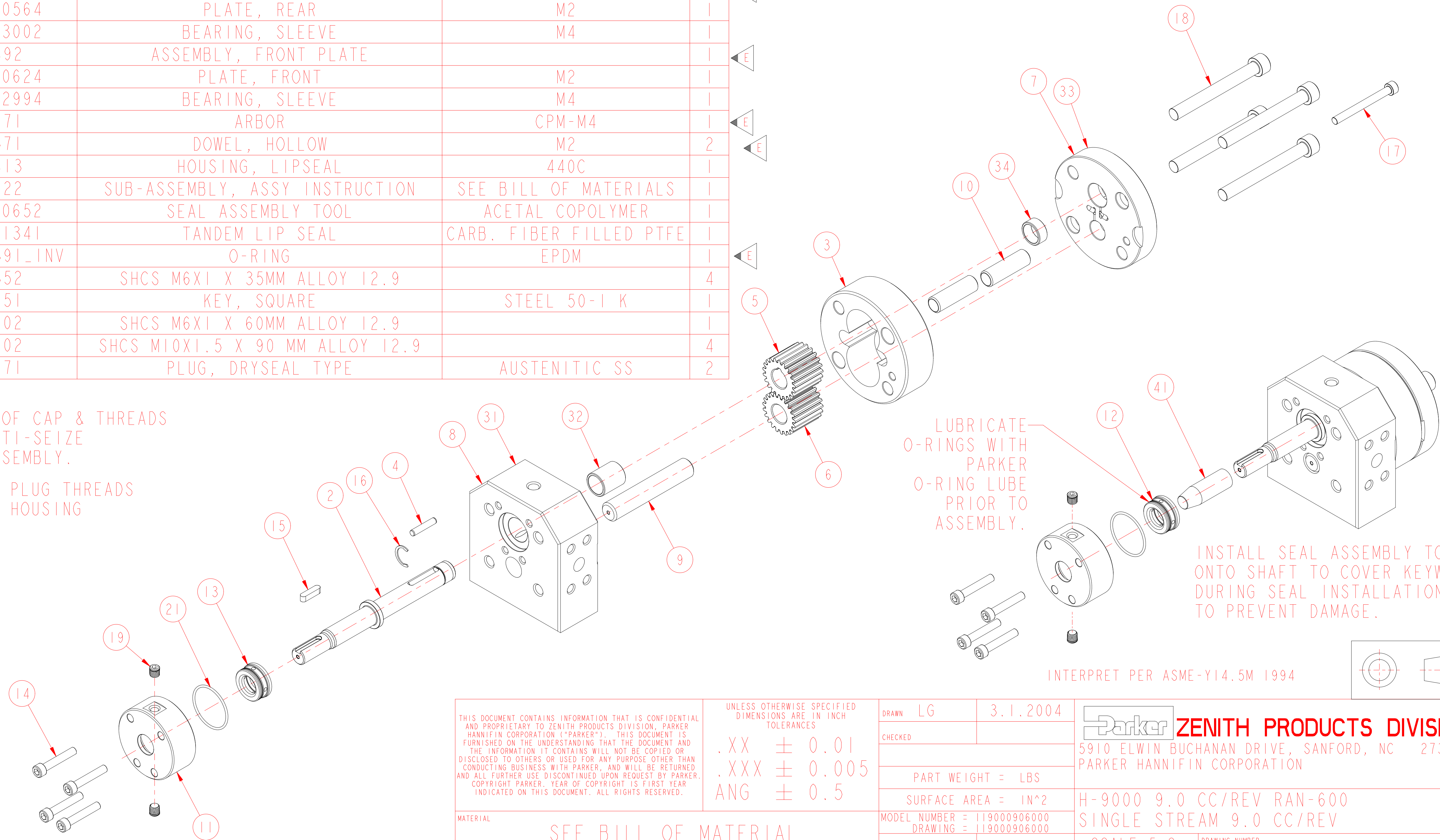
REVISIONS			
LTR	DESCRIPTION	DATE	ECN NO.
E	CHANGED D2 MAT'LS TO M2, M4, & CPM-M4; CORRECTED TORQUE SPECS; WAS 18-76504-0165-1	3.1.2004	085-2004

LUBRICATE UNDERSIDE OF CAP & THREADS ON FASTENERS WITH ANTI-SEIZE COMPOUND PRIOR TO ASSEMBLY.

APPLY TEFLON TAPE TO PLUG THREADS WHEN ASSEMBLING INTO HOUSING TO PREVENT LEAKAGE.

LUBRICATE O-RINGS WITH PARKER O-RING LUBE PRIOR TO ASSEMBLY.

INSTALL SEAL ASSEMBLY TOOL ONTO SHAFT TO COVER KEYWAY DURING SEAL INSTALLATION, TO PREVENT DAMAGE.



INTERPRET PER ASME-Y14.5M 1994

<small>THIS DOCUMENT CONTAINS INFORMATION THAT IS CONFIDENTIAL AND PROPRIETARY TO ZENITH PRODUCTS DIVISION, PARKER HANNIFIN CORPORATION ("PARKER"). THIS DOCUMENT IS FURNISHED ON THE UNDERSTANDING THAT THE DOCUMENT AND THE INFORMATION IT CONTAINS WILL NOT BE COPIED OR DISCLOSED TO OTHERS OR USED FOR ANY PURPOSE OTHER THAN CONDUCTING BUSINESS WITH PARKER, AND WILL BE RETURNED AND ALL FURTHER USE DISCONTINUED UPON REQUEST BY PARKER. COPYRIGHT PARKER, YEAR OF COPYRIGHT IS FIRST YEAR INDICATED ON THIS DOCUMENT. ALL RIGHTS RESERVED.</small>	<small>UNLESS OTHERWISE SPECIFIED DIMENSIONS ARE IN INCH TOLERANCES</small> .XX ± 0.01 .XXX ± 0.005 ANG ± 0.5	DRAWN LG 3.1.2004 CHECKED	5910 ELWIN BUCHANAN DRIVE, SANFORD, NC 27330 PARKER HANNIFIN CORPORATION
	MATERIAL SEE BILL OF MATERIAL ON SHEET 2 OF 2	MODEL NUMBER = 119000906000 DRAWING = 119000906000	
		PRO/ENGINEER DRAWING SIZE D	DRAWING NUMBER 11-90009-0600-0