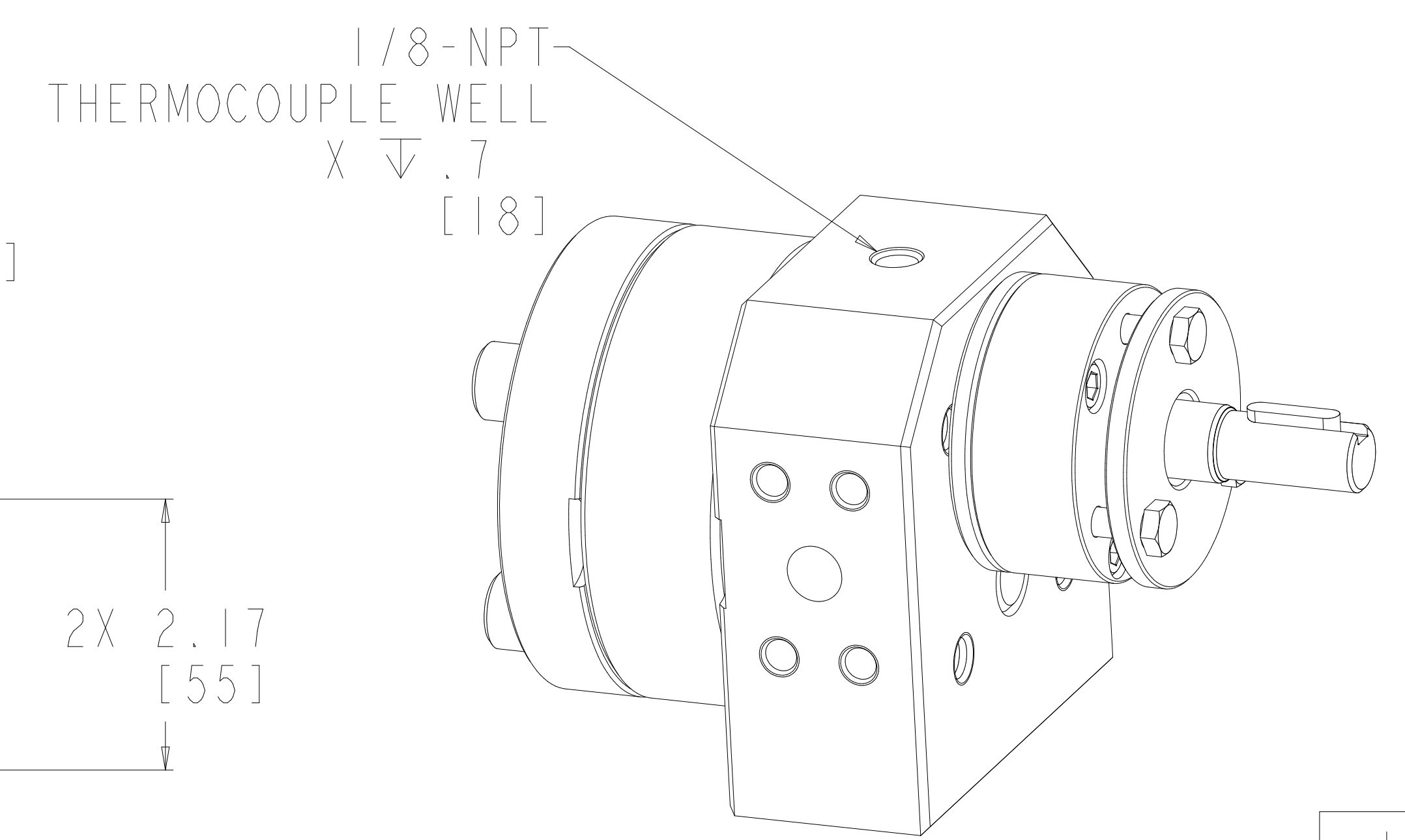
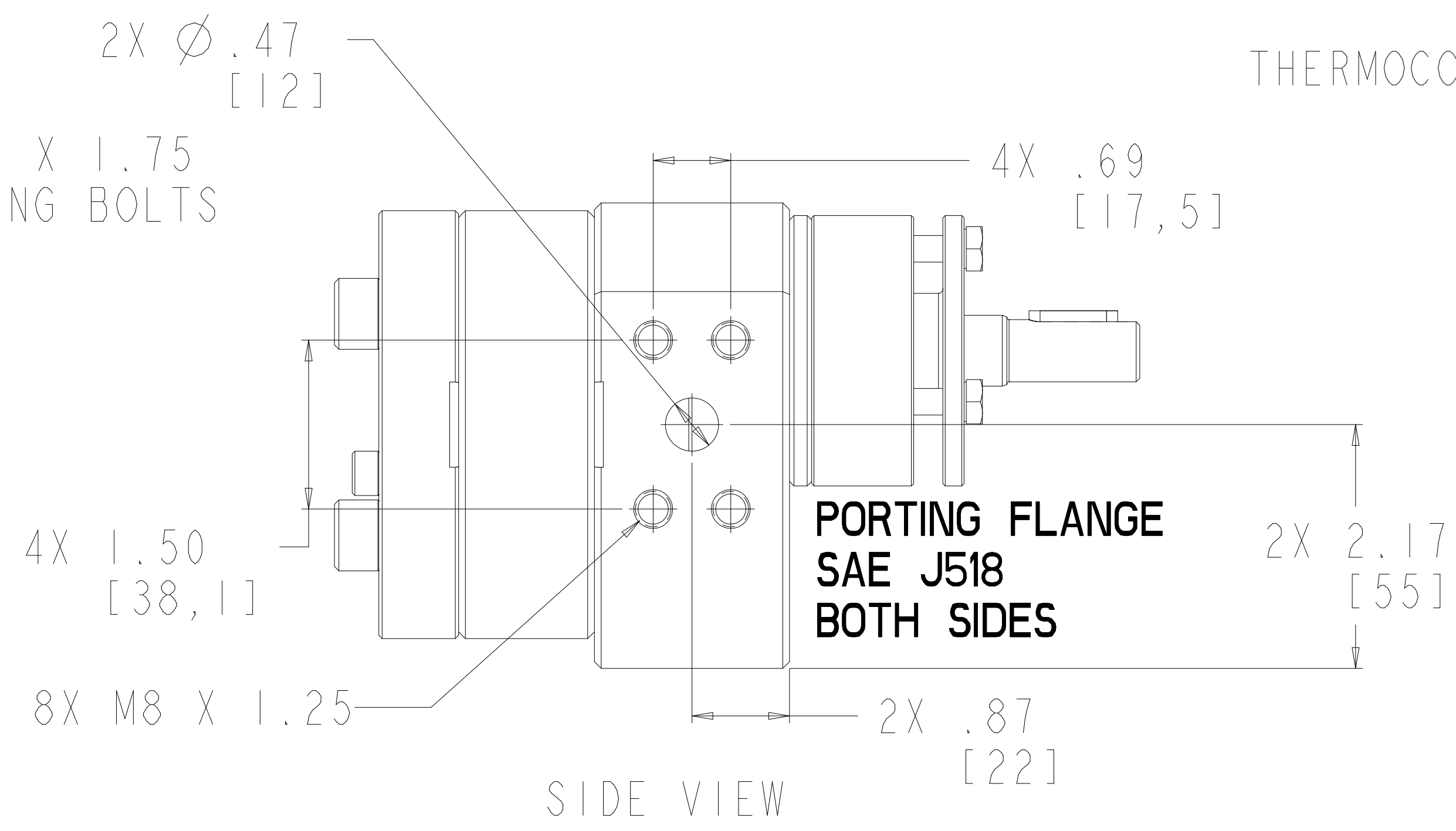
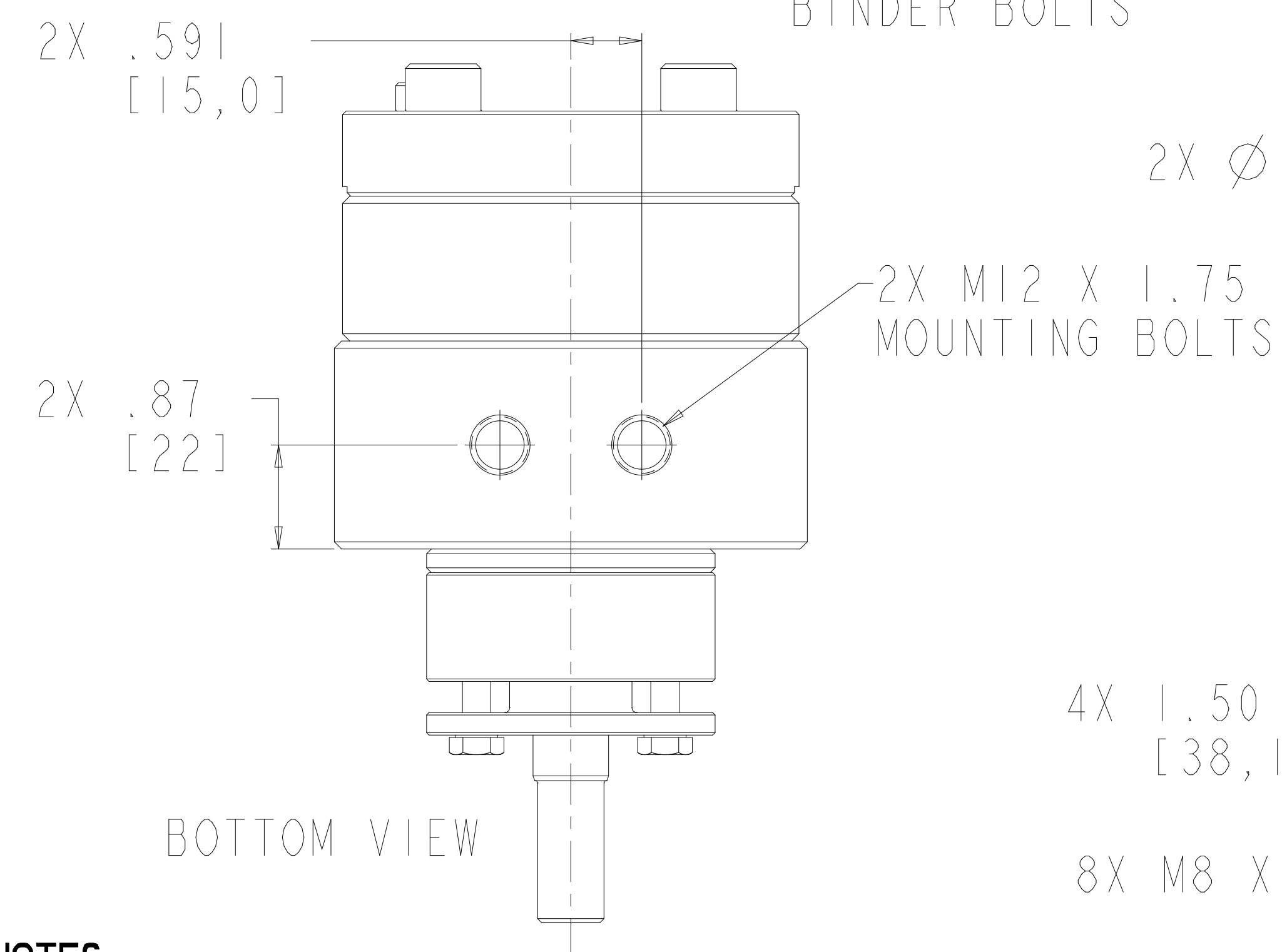
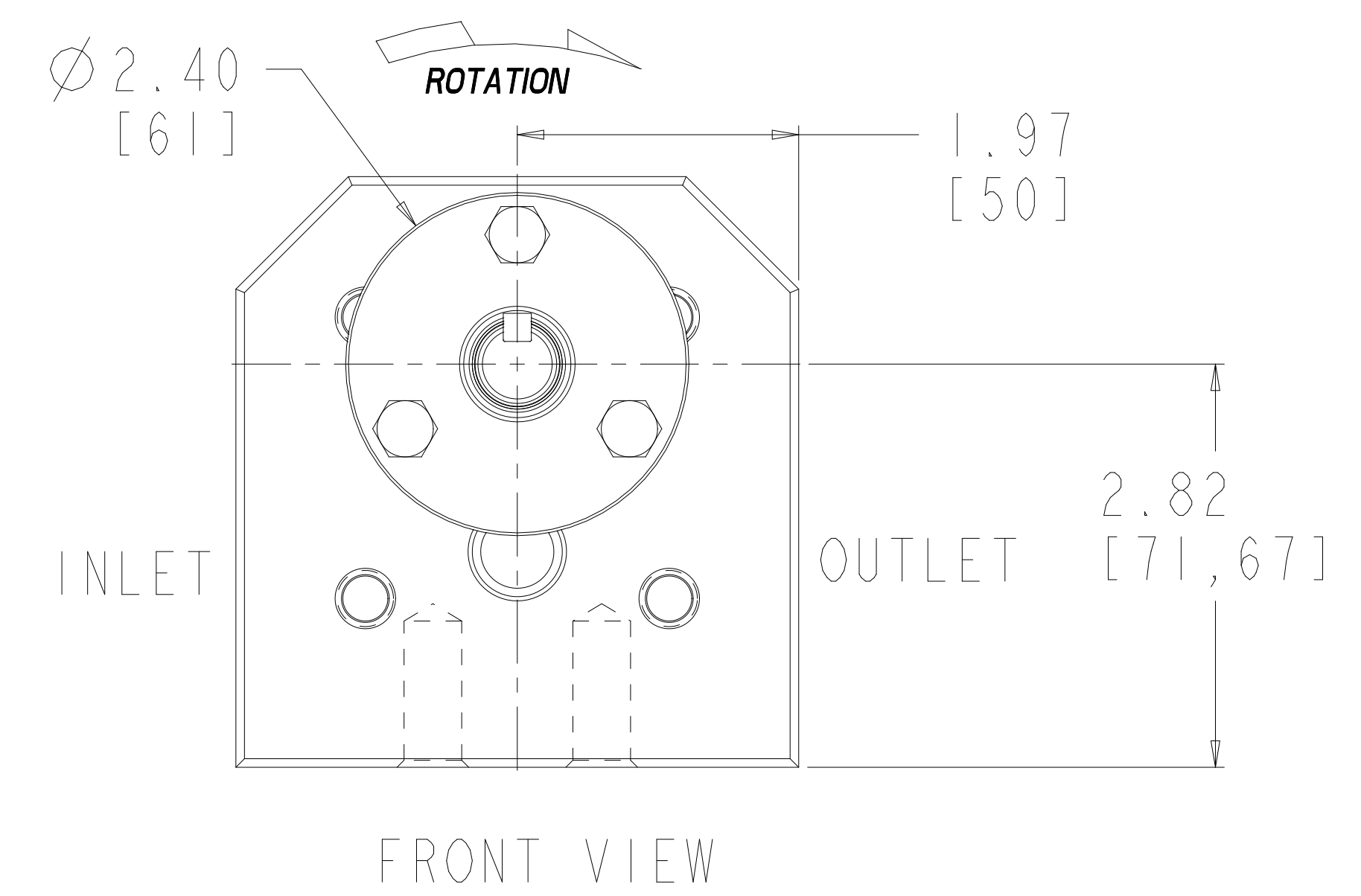
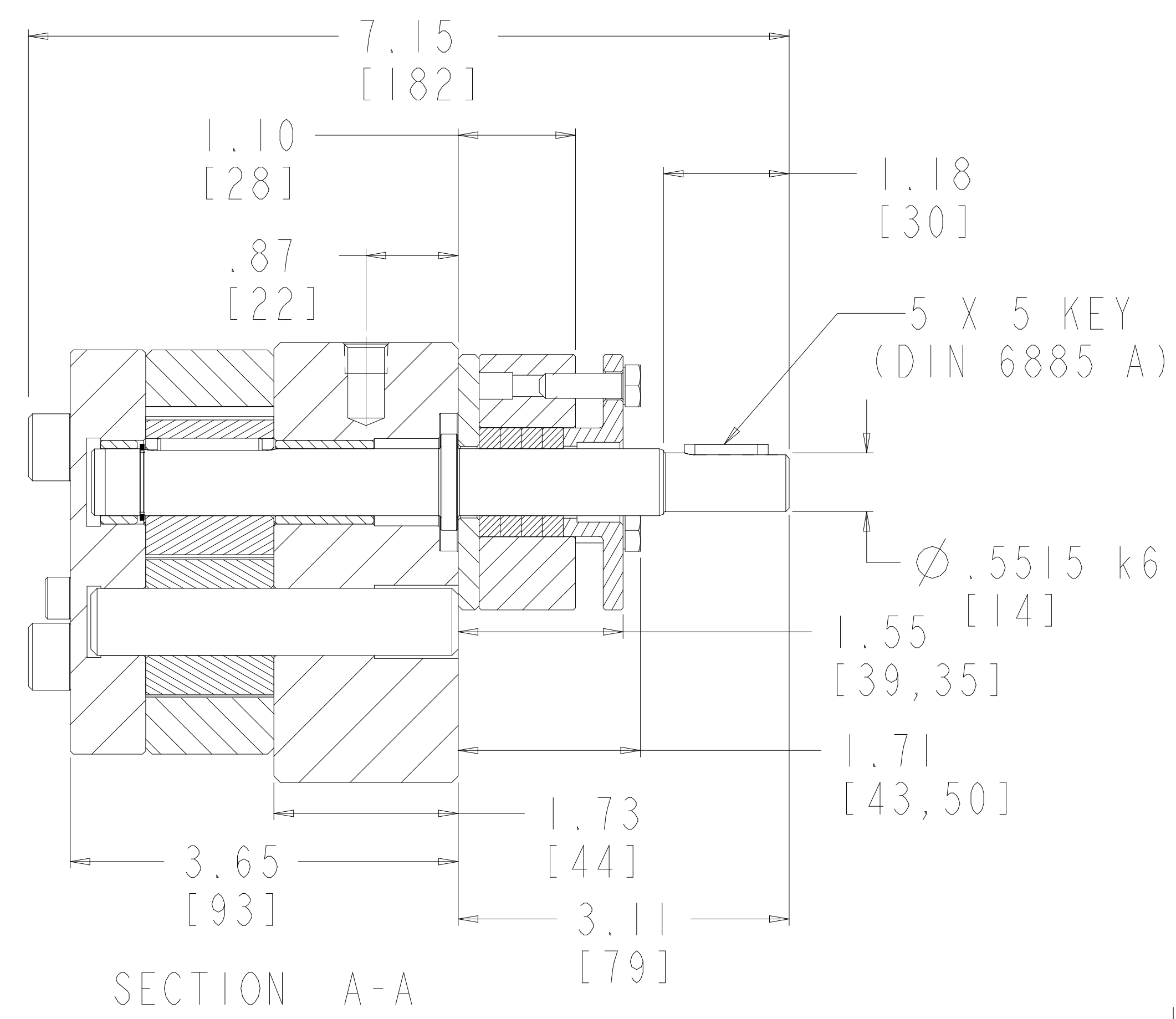
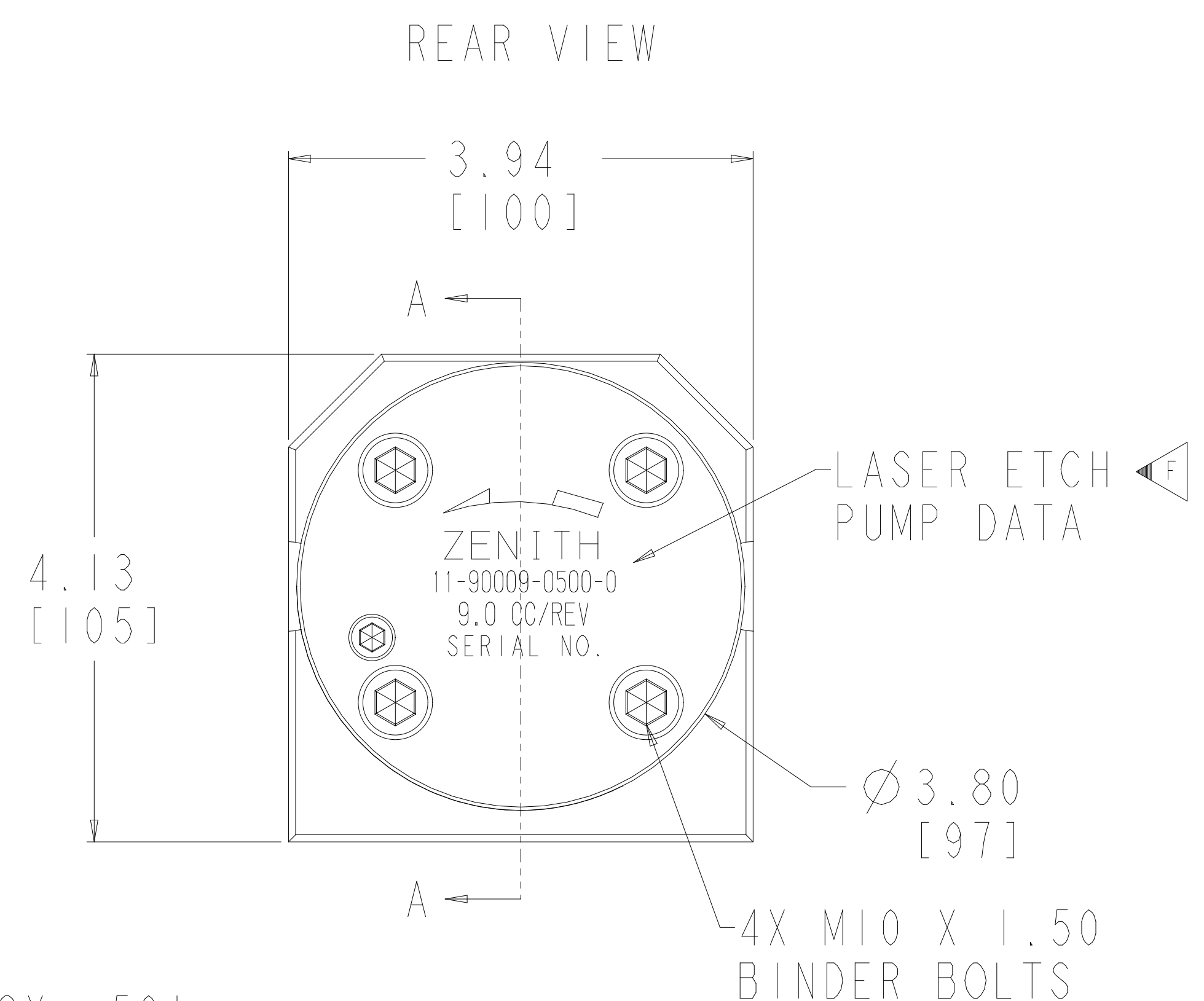
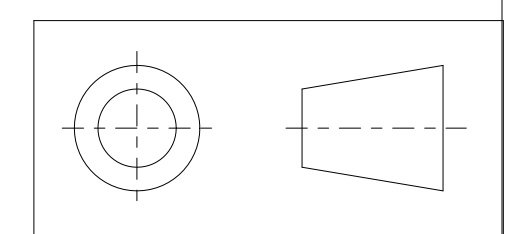


REVISIONS			
LTR	DESCRIPTION	DATE	APPROVED
E	14-69452-0002-2 WAS 15-69452-0014-4	01-07-98	576-97
	14-69151-0002-2 WAS 15-69151-0014-4		
F	UPDATED SERIES 9000 PUMP DATA	05-20-98	620-97
G	ADDED 18-18318-0014-2 AND SHEET 3	7.26.99	250-99



INTERPRET PER ANSI-Y14.5M 1982

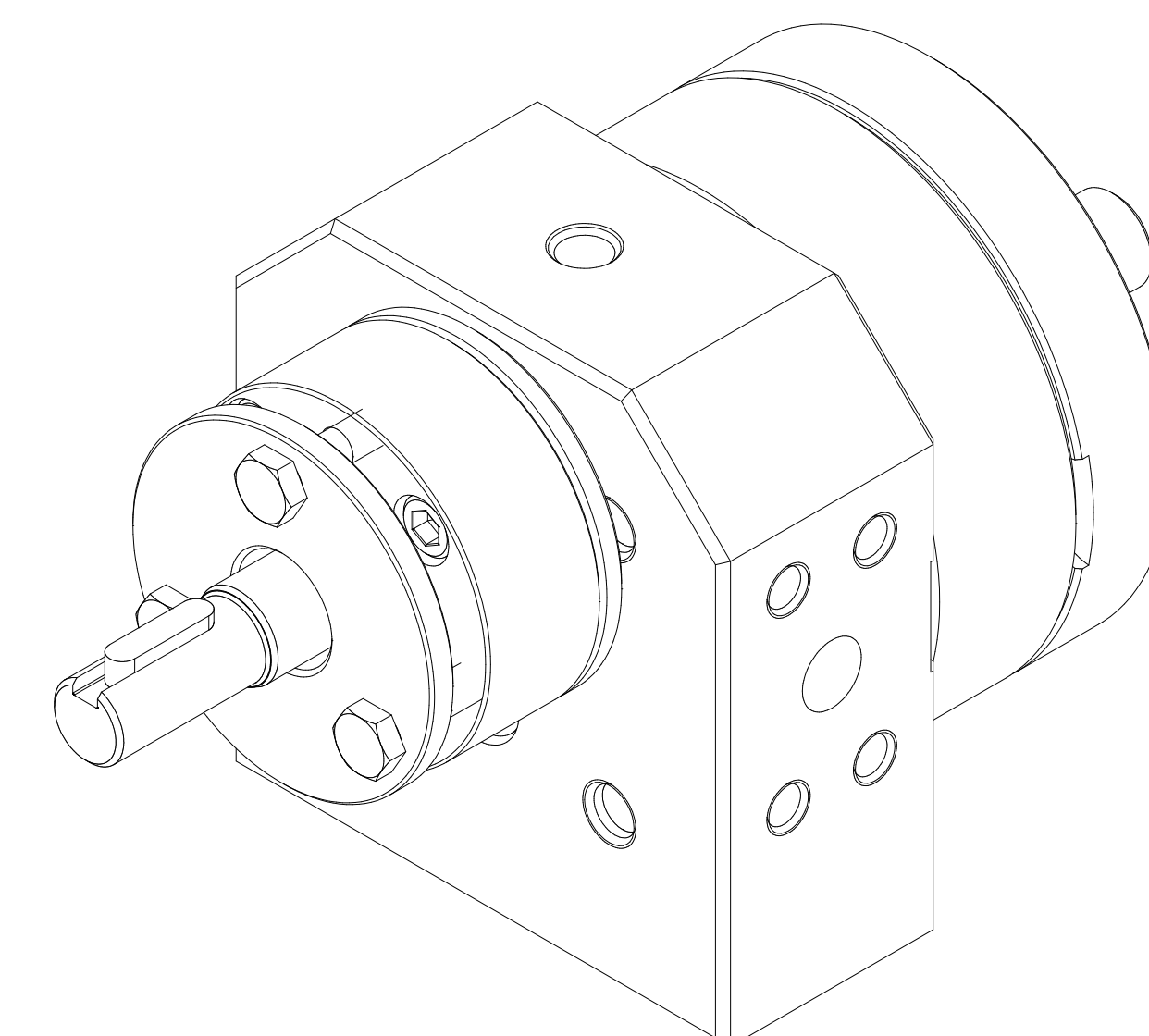
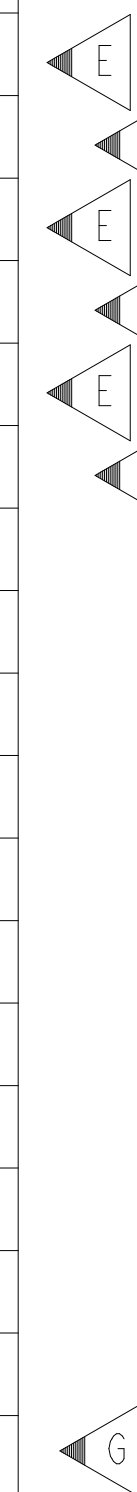


- NOTES:**
- TIGHTEN 10MM BINDER BOLTS TO:  
680in-lb NON-LUBRICATED; 460in-lb LUBRICATED
  - TIGHTEN PACKING HOUSING BOLTS TO:  
140in-lb NON-LUBRICATED; 96in-lb LUBRICATED
  - TIGHTEN PORT FLANGE BOLTS TO:  
350in-lb NON-LUBRICATED; 232in-lb LUBRICATED
  - KEEP 6MM HEX HEAD BOLTS LOOSE DURING SHIPPING
  - ONCE INSTALLED TIGHTEN HEX HEAD BOLTS UNTIL LEAKAGE IS CONTROLLED

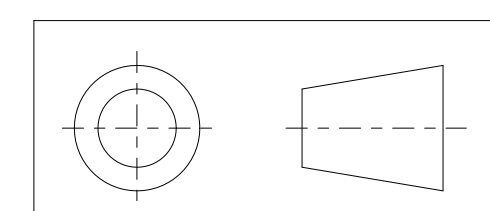
DESIGN, SPECIFICATIONS, AND DETAILS CONTAINED ON OR REFERENCED TO ON THIS DRAWING ARE PROPRIETARY TO THE ZENITH DIVISION, PARKER HANNIFIN CORPORATION AND MAY NOT BE REPRODUCED, MANUFACTURED, OR OTHERWISE USED WITHOUT THE WRITTEN CONSENT OF THE ZENITH DIVISION, PARKER HANNIFIN CORPORATION	UNLESS OTHERWISE SPECIFIED DIMENSIONS ARE IN INCH TOLERANCES	DRAWN MJW	05-06-95	<b>ZENITH PUMPS DIVISION</b> 5910 ELWIN BUCHANAN DRIVE, SANFORD, NC 27330 PARKER HANNIFIN CORPORATION
	.XX ± 0.01 .XXX ± 0.005 ANG ± 0.5	CHECKED		
MATERIAL SEE BILL OF MATERIAL SHEET 2 OF 3		PART WEIGHT =	LBS	H-9000 TYPE PUMP 9.0 CC/REV
		SURFACE AREA =	IN <sup>2</sup>	
		MODEL NUMBER = 119000905000 DRAWING = 119000905000	PRO/ENGINEER DRAWING	SIZE D
				DRAWING NUMBER 11-90009-0500-0

ITEM No.	PART NUMBER	PART NAME	MATERIAL	QTY
	119000905000	H-9000 TYPE PUMP		1
2	157956800332	SHAFT, DRIVE	AISI D2	1
3	156925100344	PLATE, GEAR	AISI D2	1
4	185600800151	KEY, ROUND	FREE CUTTING STEEL	1
5	152523000022	GEAR, DRIVING	D2	1
6	152513000012	GEAR, DRIVEN	AISI D2	1
7	146915100022	ASSEMBLY, REAR PLATE		1
33	156915100254	PLATE, REAR	AISI D2	1
34	150451303331	BEARING, SLEEVE	D2	1
8	146945200022	ASSEMBLY, FRONT PLATE		1
31	156945200254	PLATE, FRONT	AISI D2	1
32	150451303251	BEARING, SLEEVE	D2	1
9	150115600112	ARBOR	AISI D2	1
10	151609100111	DOWEL, HOLLOW	AISI D2	2
17	187861010902	SHCS M10X1.5 X 90 MM ALLOY 12.9		4
18	185600800051	KEY, SQUARE	STEEL 50-1 K	1
19	187860610602	SHCS M6X1 X 60MM ALLOY 12.9		1
11	156371000103	PLATE, COLLAR	AISI D2	1
13	187900101821	SEAL, PACKING	grafoil	4
14	155100102083	GLAND, PACKING	4140	1
16	187890610202	HHCS M6X1 X 20MM ALLOY GRADE 8.8		3
12	155400601823	HOUSING, PACKING	4140	1
15	187860610302	SHCS M6X1 X 30MM ALLOY 12.9		4
22	181831800142	RING - RETAINING	PH 15-7 MO	1

REVISIONS			
LTR	DESCRIPTION	DATE	APPROVED
E	14-69452-0002-2 WAS 15-69452-0014-4	01-07-98	576-97
	14-69151-0002-2 WAS 15-69151-0014-4		
F	UPDATED SERIES 9000 PUMP DATA	05-20-98	620-97
G	ADDED 18-18318-0014-2 AND SHEET 3	7.26.99	250-99

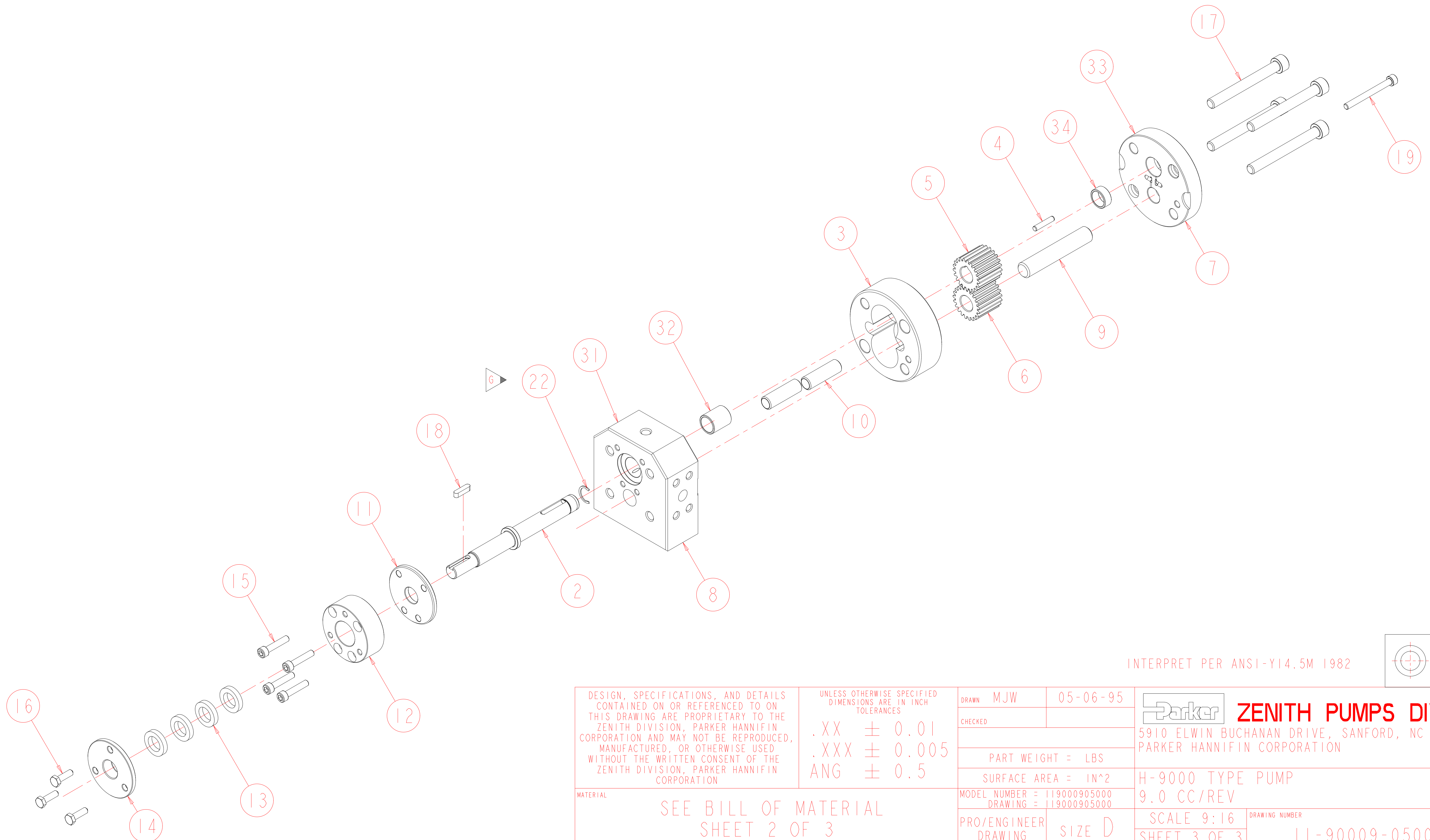


INTERPRET PER ANSI-Y14.5M 1982

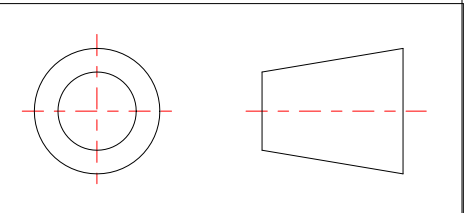


DESIGN, SPECIFICATIONS, AND DETAILS CONTAINED ON OR REFERENCED TO ON THIS DRAWING ARE PROPRIETARY TO THE ZENITH DIVISION, PARKER HANNIFIN CORPORATION AND MAY NOT BE REPRODUCED, MANUFACTURED, OR OTHERWISE USED WITHOUT THE WRITTEN CONSENT OF THE ZENITH DIVISION, PARKER HANNIFIN CORPORATION	UNLESS OTHERWISE SPECIFIED DIMENSIONS ARE IN INCH TOLERANCES .XX ± 0.01 .XXX ± 0.005 ANG ± 0.5	DRAWN MJW 05-06-95	<b>ZENITH PUMPS DIVISION</b> 5910 ELWIN BUCHANAN DRIVE, SANFORD, NC 27330 PARKER HANNIFIN CORPORATION
		CHECKED	
MATERIAL SEE BILL OF MATERIAL SHEET 2 OF 3	PART WEIGHT = LBS	MODEL NUMBER = 119000905000 DRAWING = 119000905000	H-9000 TYPE PUMP 9.0 CC/REV
	SURFACE AREA = IN^2	PRO/ENGINEER DRAWING	SCALE 1:1 SHEET 2 OF 3
	SIZE D	DRAWING NUMBER 11-90009-0500-0	

REVISIONS			
LTR	DESCRIPTION	DATE	APPROVED
G	ADDED 18-18318-0014-2 AND SHEET 3	7.26.99	250-99



INTERPRET PER ANSI-Y14.5M 1982



DESIGN, SPECIFICATIONS, AND DETAILS CONTAINED ON OR REFERENCED TO ON THIS DRAWING ARE PROPRIETARY TO THE ZENITH DIVISION, PARKER HANNIFIN CORPORATION AND MAY NOT BE REPRODUCED, MANUFACTURED, OR OTHERWISE USED WITHOUT THE WRITTEN CONSENT OF THE ZENITH DIVISION, PARKER HANNIFIN CORPORATION

UNLESS OTHERWISE SPECIFIED DIMENSIONS ARE IN INCH TOLERANCES  
 .XX ± 0.01  
 .XXX ± 0.005  
 ANG ± 0.5

MATERIAL  
 SEE BILL OF MATERIAL SHEET 2 OF 3

DRAWN	MJW	05-06-95
CHECKED		
PRO/ENGINEER	DRAWING	SIZE D

<b>ZENITH PUMPS DIVISION</b> 5910 ELWIN BUCHANAN DRIVE, SANFORD, NC 27330 PARKER HANNIFIN CORPORATION	H-9000 TYPE PUMP 9.0 CC/REV	
	SCALE 9:16 SHEET 3 OF 3	DRAWING NUMBER 11-90009-0500-0