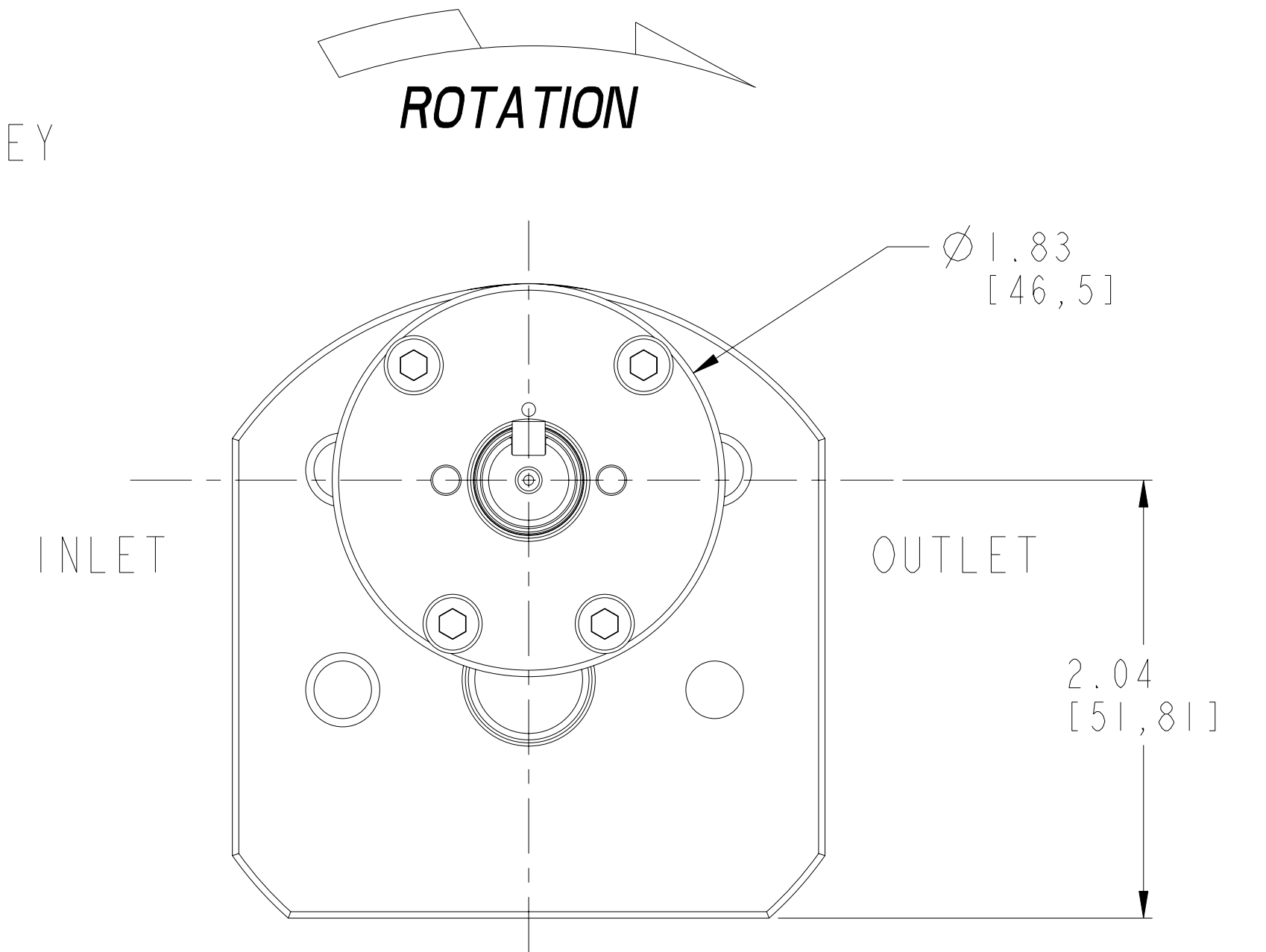
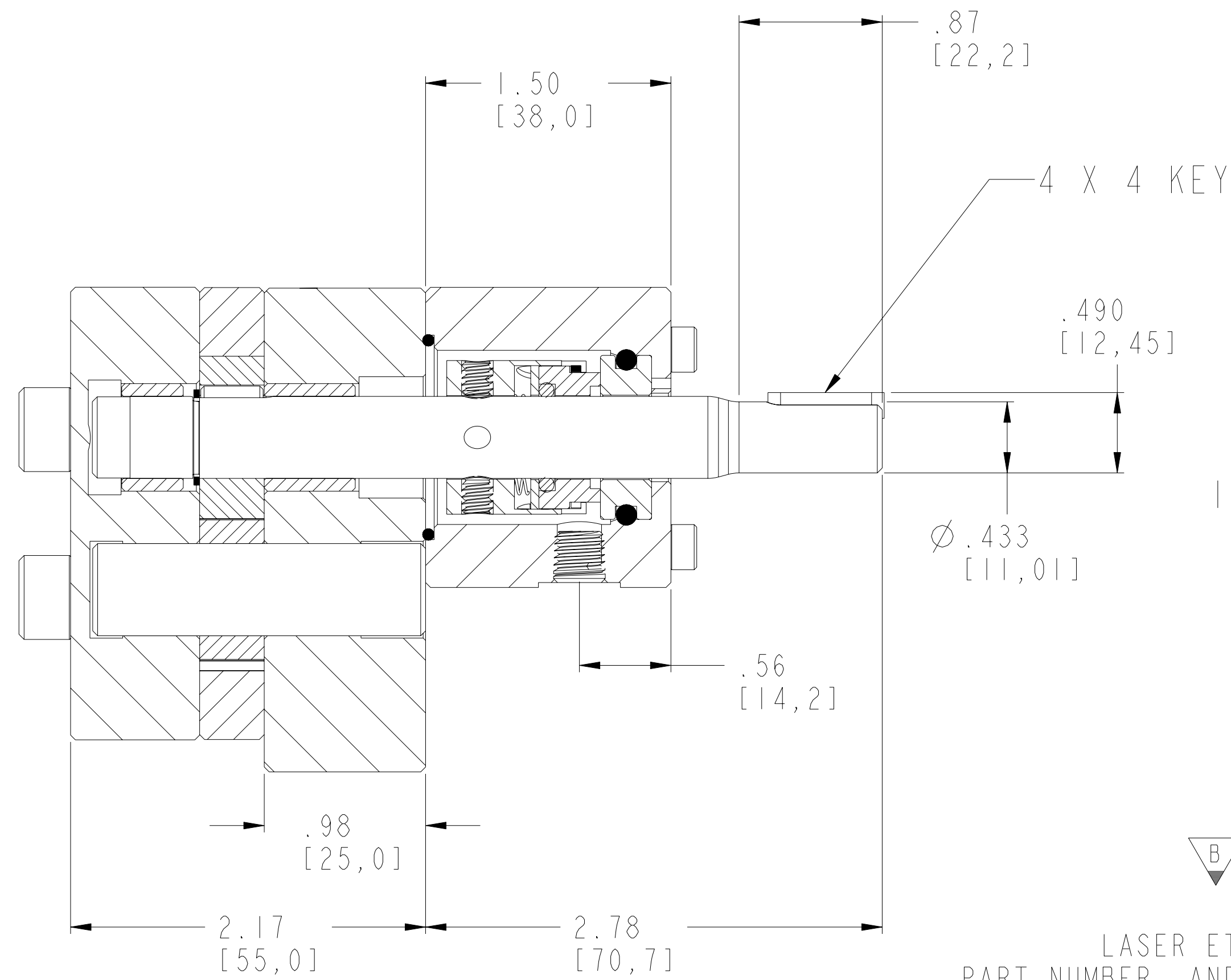
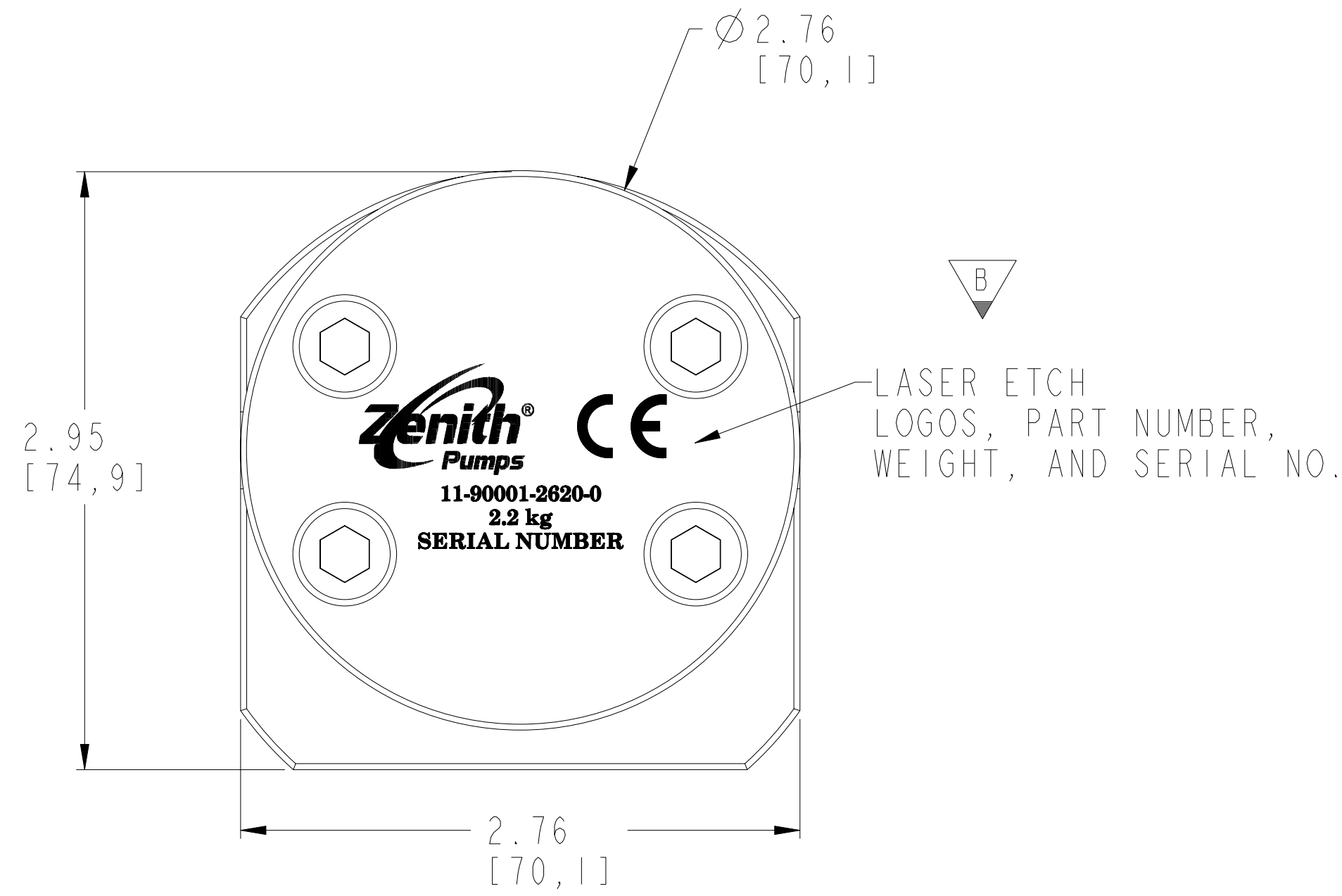


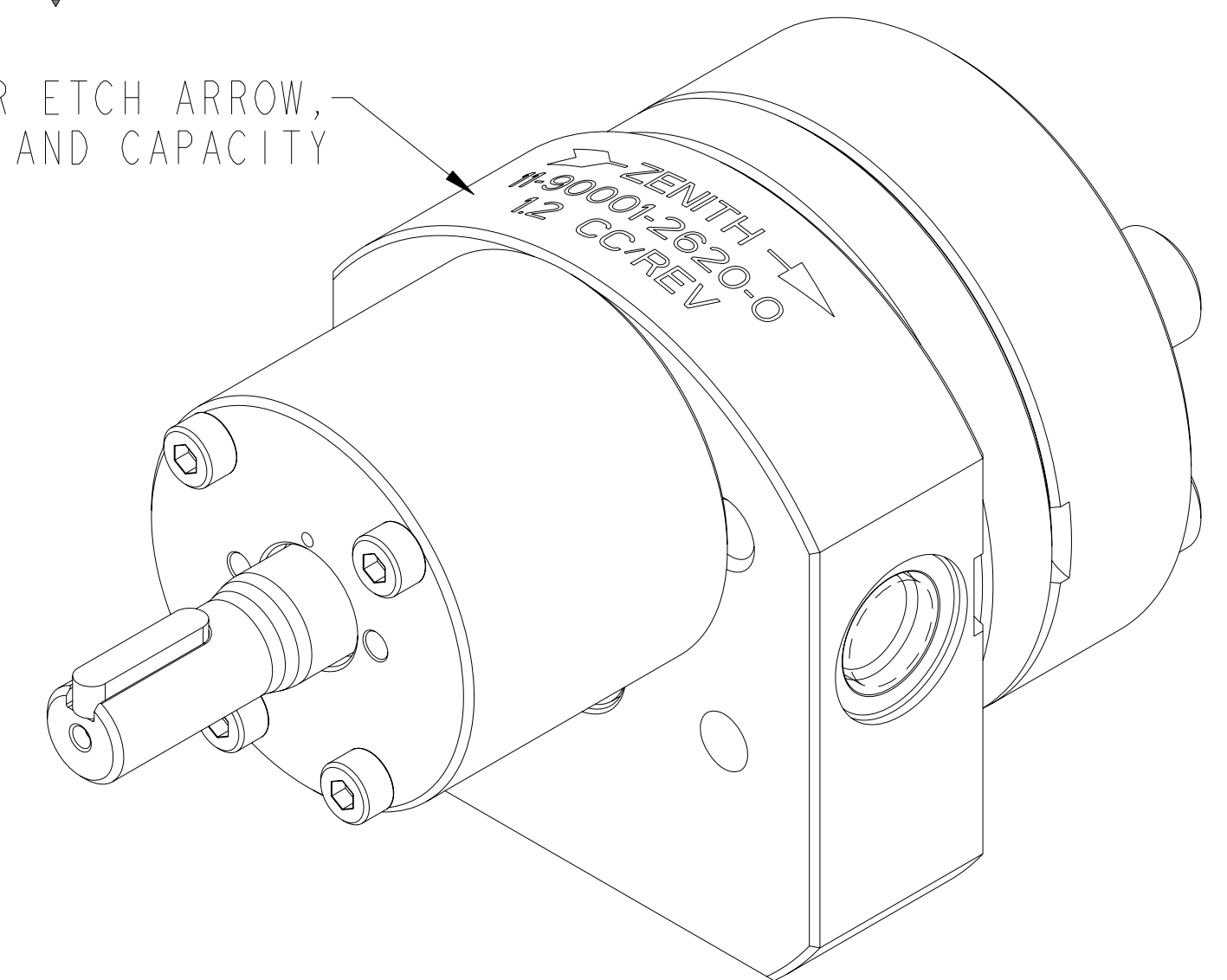
BOLT TORQUE
M10 ALLOY BOLTS - LUBRICATED = 43 lb.- ft.
M8 ALLOY BOLTS - LUBRICATED = 22 lb.- ft.
M4 ALLOY BOLTS - LUBRICATED = 2.6 lb.- ft.

REVISIONS			
LTR	DESCRIPTION	DATE	ECN NO.
B	UPDATED SHAFT, PARTS LIST & ETCHING	10/20/10	107-2010

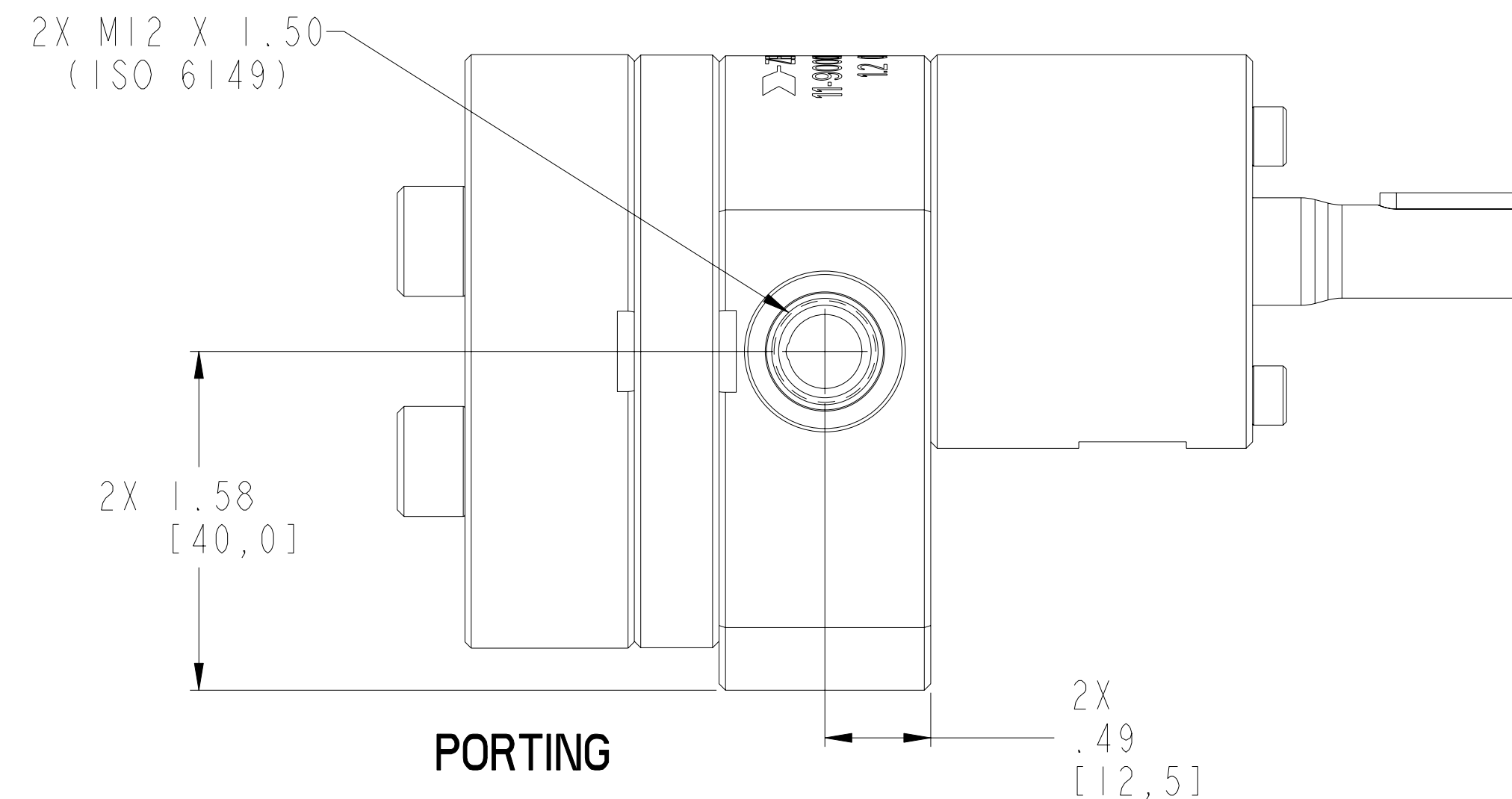
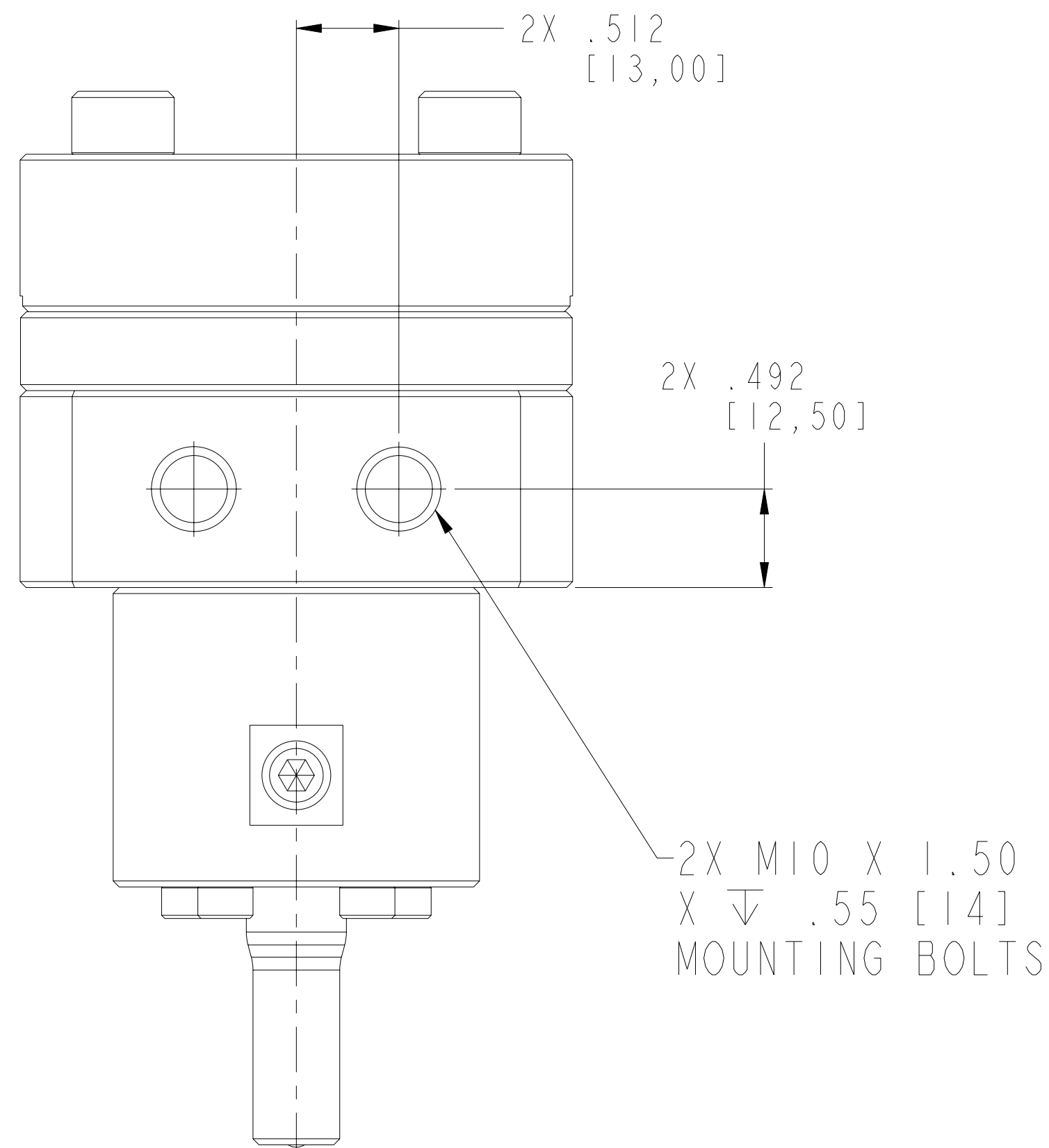
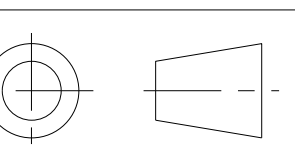
SECTION A-A



LASER ETCH ARROW,
 PART NUMBER, AND CAPACITY



INTERPRET PER ASME-Y14.5M 1994

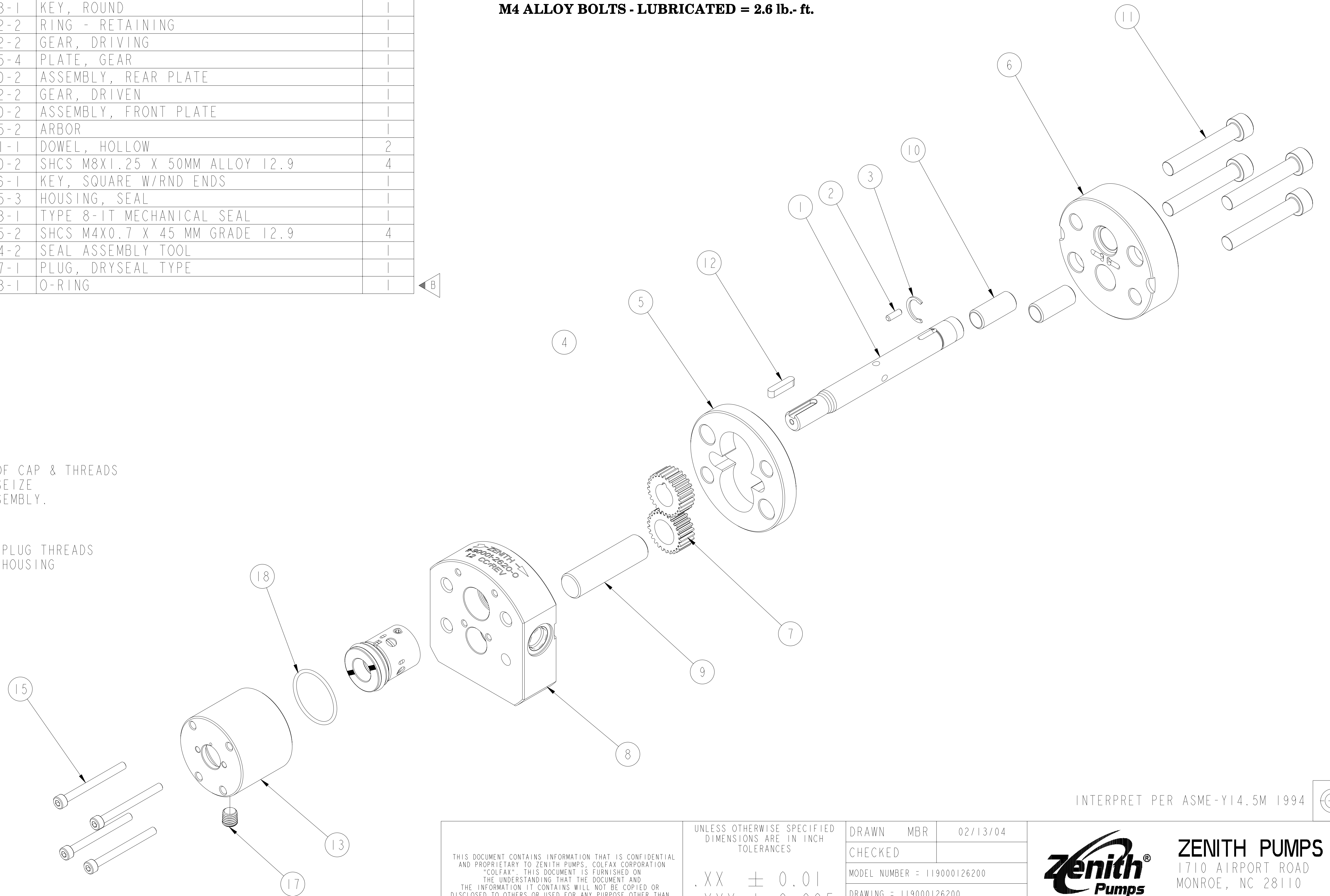


THIS DOCUMENT CONTAINS INFORMATION THAT IS CONFIDENTIAL AND PROPRIETARY TO ZENITH PUMPS, COLFAX CORPORATION "COLFAX". THIS DOCUMENT IS FURNISHED ON THE UNDERSTANDING THAT THE DOCUMENT AND THE INFORMATION IT CONTAINS WILL NOT BE COPIED OR DISCLOSED TO OTHERS OR USED FOR ANY PURPOSE OTHER THAN CONDUCTING BUSINESS WITH COLFAX, AND WILL BE RETURNED AND ALL FURTHER USE DISCONTINUED UPON REQUEST BY COLFAX.	UNLESS OTHERWISE SPECIFIED DIMENSIONS ARE IN INCH TOLERANCES .XX ± 0.01 .XXX ± 0.005 ANG ± 0.5	DRAWN MBR	02/13/04	ZENITH PUMPS 1710 AIRPORT ROAD MONROE, NC 28110	MODEL NUMBER = 119000126200 DRAWING = 119000126200	H-9000-1.2-620 1.2 cc/rev	SCALE 3:2 SHEET 1 OF 3	DRAWING NUMBER 11-90001-2620-0	REV B
		CHECKED							
MATERIAL		PRO/ENGINEER DRAWING							

11-90001-2620-0 BILL OF MATERIAL

ITEM NO.	PART NUMBER	PART NAME	QTY
1	15-79568-0152-1	SHAFT, DRIVE	1
2	15-56002-0033-1	KEY, ROUND	1
3	18-18318-0012-2	RING - RETAINING	1
4	15-23609-0122-2	GEAR, DRIVING	1
5	15-69251-0015-4	PLATE, GEAR	1
6	14-69151-0010-2	ASSEMBLY, REAR PLATE	1
7	15-23709-0042-2	GEAR, DRIVEN	1
8	14-69452-0010-2	ASSEMBLY, FRONT PLATE	1
9	15-01156-0015-2	ARBOR	1
10	15-16091-0071-1	DOWEL, HOLLOW	2
11	18-78608-1050-2	SHCS M8X1.25 X 50MM ALLOY 12.9	4
12	18-56008-0006-1	KEY, SQUARE W/RND ENDS	1
13	15-54020-0015-3	HOUSING, SEAL	1
14	18-79003-0053-1	TYPE 8-IT MECHANICAL SEAL	1
15	18-78604-1045-2	SHCS M4X0.7 X 45 MM GRADE 12.9	4
16	15-00131-0064-2	SEAL ASSEMBLY TOOL	1
17	18-73000-0007-1	PLUG, DRYSEAL TYPE	1
18	18-76504-0333-1	O-RING	1

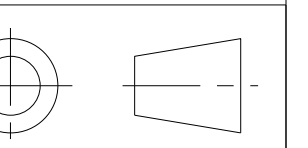
BOLT TORQUE
M10 ALLOY BOLTS - LUBRICATED = 43 lb.- ft.
M8 ALLOY BOLTS - LUBRICATED = 22 lb.- ft.
M4 ALLOY BOLTS - LUBRICATED = 2.6 lb.- ft.



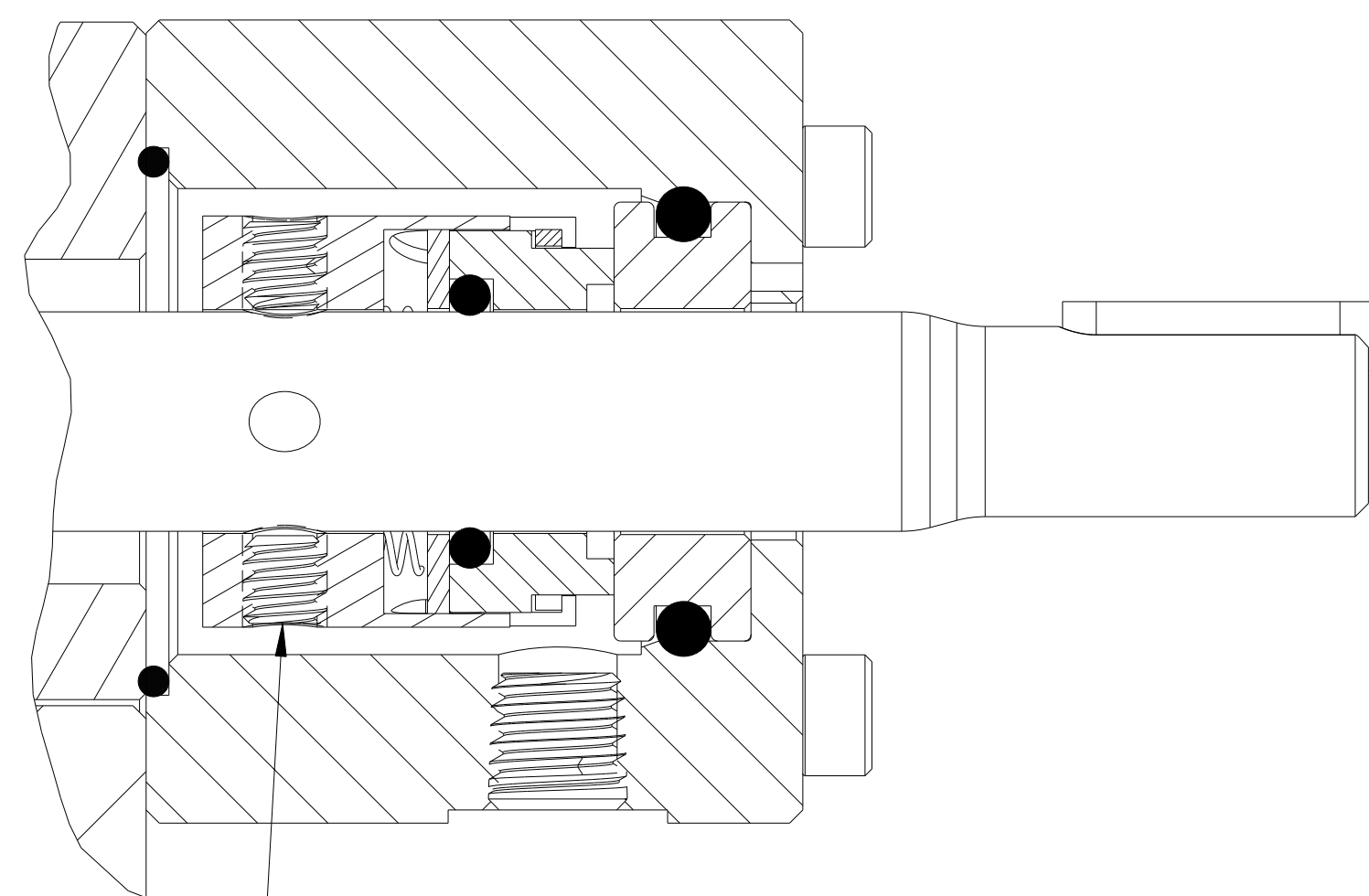
LUBRICATE UNDERSIDE OF CAP & THREADS ON FASTENERS W/ANTI-SEIZE COMPOUND PRIOR TO ASSEMBLY.

APPLY TEFLON TAPE TO PLUG THREADS WHEN ASSEMBLING INTO HOUSING TO PREVENT LEAKAGE.

INTERPRET PER ASME-Y14.5M 1994

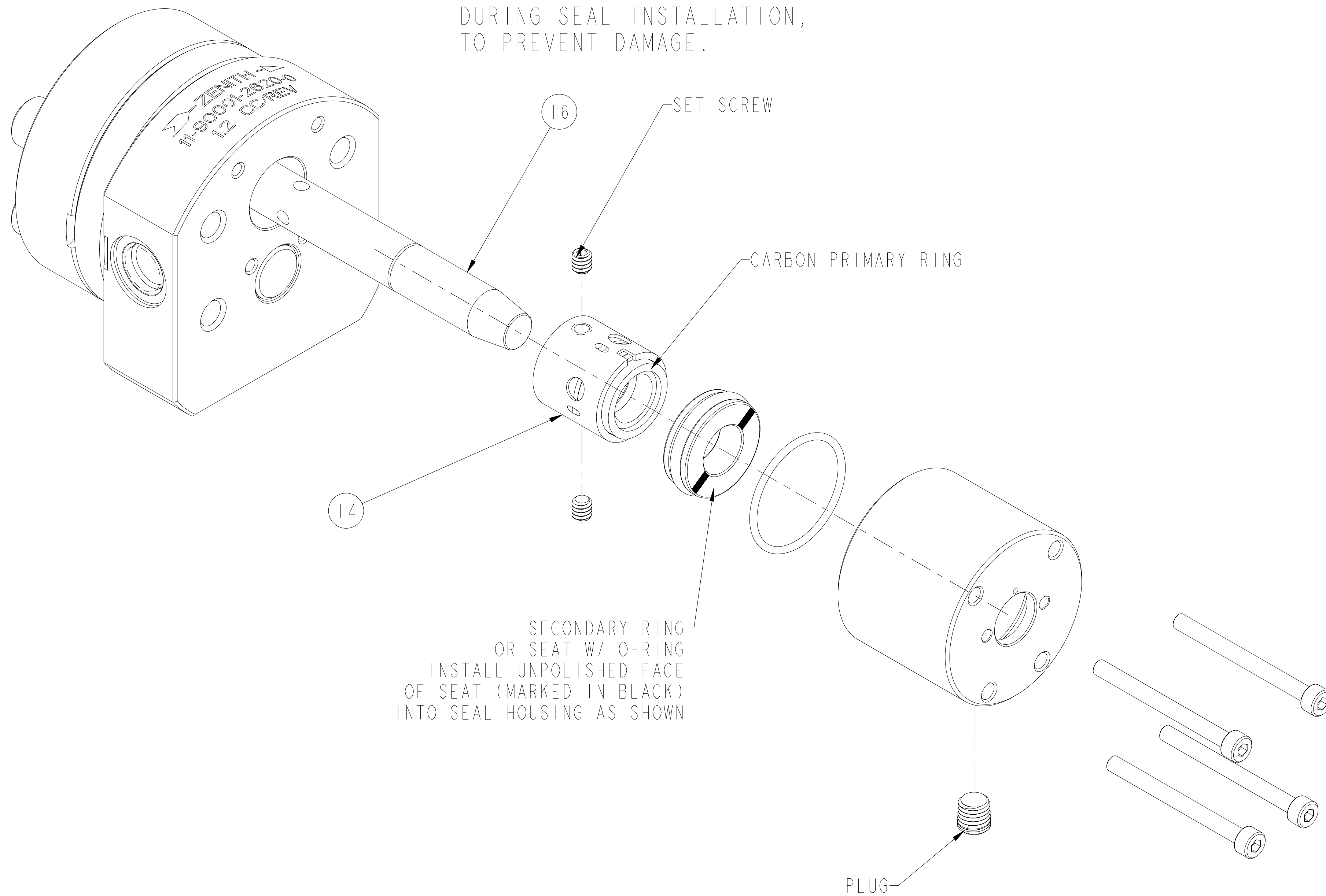
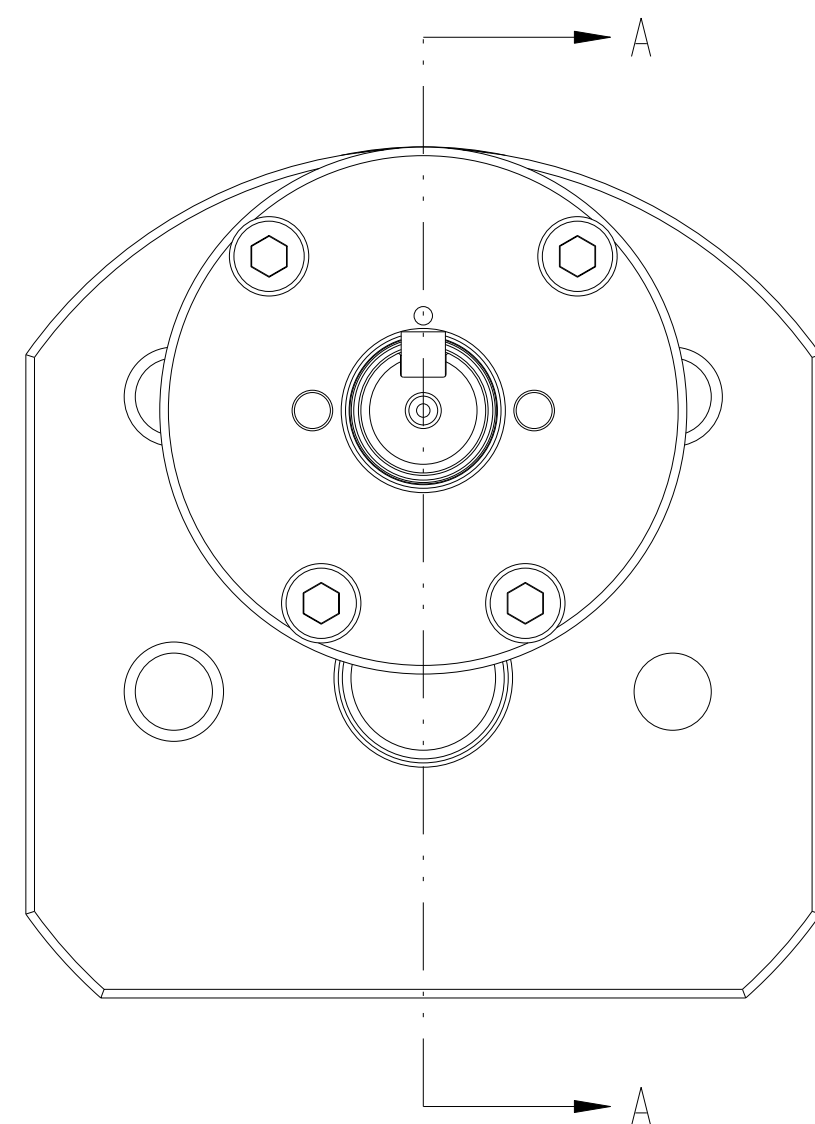


<p>THIS DOCUMENT CONTAINS INFORMATION THAT IS CONFIDENTIAL AND PROPRIETARY TO ZENITH PUMPS, COLFAX CORPORATION "COLFAX". THIS DOCUMENT IS FURNISHED ON THE UNDERSTANDING THAT THE DOCUMENT AND THE INFORMATION IT CONTAINS WILL NOT BE COPIED OR DISCLOSED TO OTHERS OR USED FOR ANY PURPOSE OTHER THAN CONDUCTING BUSINESS WITH COLFAX, AND WILL BE RETURNED AND ALL FURTHER USE DISCONTINUED UPON REQUEST BY COLFAX.</p>	<p>UNLESS OTHERWISE SPECIFIED DIMENSIONS ARE IN INCH TOLERANCES</p>	<p>DRAWN MBR 02/13/04</p>	<p>ZENITH PUMPS 1710 AIRPORT ROAD MONROE, NC 28110</p>	<p>SCALE 1:1</p>	<p>DRAWING NUMBER</p>	<p>REV</p>
	<p>.XX ± 0.01 .XXX ± 0.005 ANG ± 0.5</p>	<p>CHECKED</p>				
		<p>PRO/ENGINEER DRAWING</p>	<p>SIZE D</p>			



SECTION A-A
SCALE 5:2

ALIGN SET SCREWS
WITH DEPRESSIONS
IN DRIVE SHAFT



INSTALL SEAL ASSEMBLY TOOL
ONTO SHAFT TO COVER KEYWAY
DURING SEAL INSTALLATION,
TO PREVENT DAMAGE.

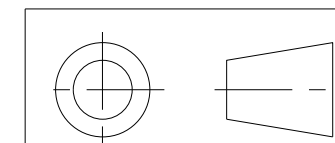
SECONDARY RING
OR SEAT W/ O-RING
INSTALL UNPOLISHED FACE
OF SEAT (MARKED IN BLACK)
INTO SEAL HOUSING AS SHOWN

LUBRICATE UNDERSIDE OF CAP & THREADS
ON FASTENERS WITH ANTI-SEIZE
COMPOUND PRIOR TO ASSEMBLY.

LUBRICATE ALL O-RINGS ON LIP SEAL
WITH PARKER O-RING LUBE OR
EQUIVALENT, PRIOR TO INSTALLING
INTO HOUSING.

APPLY TEFLON TAPE TO PLUG THREADS
WHEN ASSEMBLING INTO HOUSING
TO PREVENT LEAKAGE.

INTERPRET PER ASME-Y14.5M 1994



<p>THIS DOCUMENT CONTAINS INFORMATION THAT IS CONFIDENTIAL AND PROPRIETARY TO ZENITH PUMPS, COLFAX CORPORATION "COLFAX". THIS DOCUMENT IS FURNISHED ON THE UNDERSTANDING THAT THE DOCUMENT AND THE INFORMATION IT CONTAINS WILL NOT BE COPIED OR DISCLOSED TO OTHERS OR USED FOR ANY PURPOSE OTHER THAN CONDUCTING BUSINESS WITH COLFAX, AND WILL BE RETURNED AND ALL FURTHER USE DISCONTINUED UPON REQUEST BY COLFAX.</p>	<p>UNLESS OTHERWISE SPECIFIED DIMENSIONS ARE IN INCH TOLERANCES</p>		<p>DRAWN MBR 02/13/04</p>		<p>ZENITH PUMPS 1710 AIRPORT ROAD MONROE, NC 28110</p>		
	<p>.XX ± 0.01 .XXX ± 0.005 ANG ± 0.5</p>		<p>CHECKED</p>		<p>MODEL NUMBER = 119000126200</p>	<p>SCALE 3:2</p>	<p>DRAWING NUMBER</p>
			<p>PRO/ENGINEER DRAWING</p>	<p>SIZE D</p>	<p>SHEET 3 OF 3</p>	<p>11-90001-2620-0</p>	<p>REV</p>
						<p>B</p>	