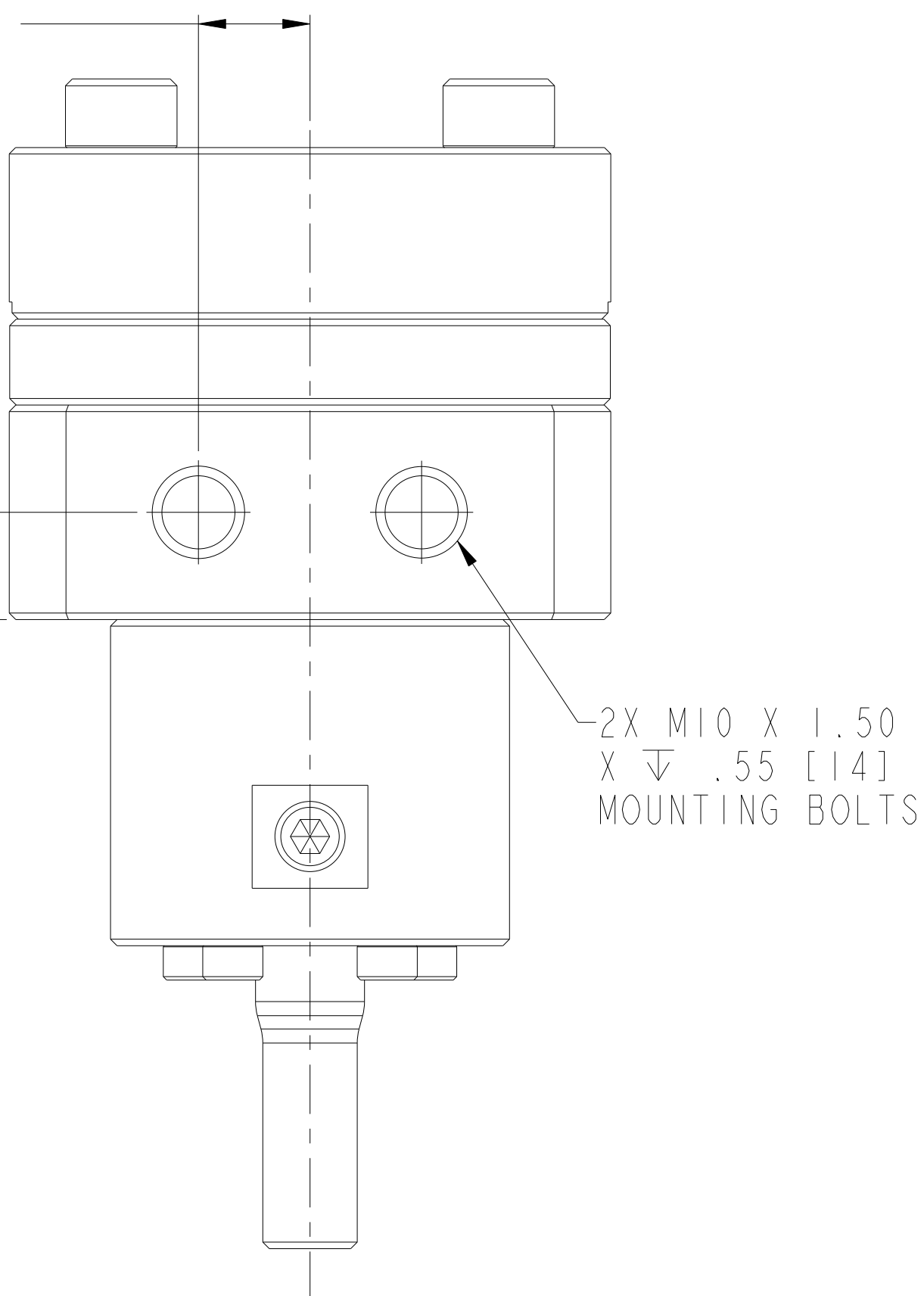
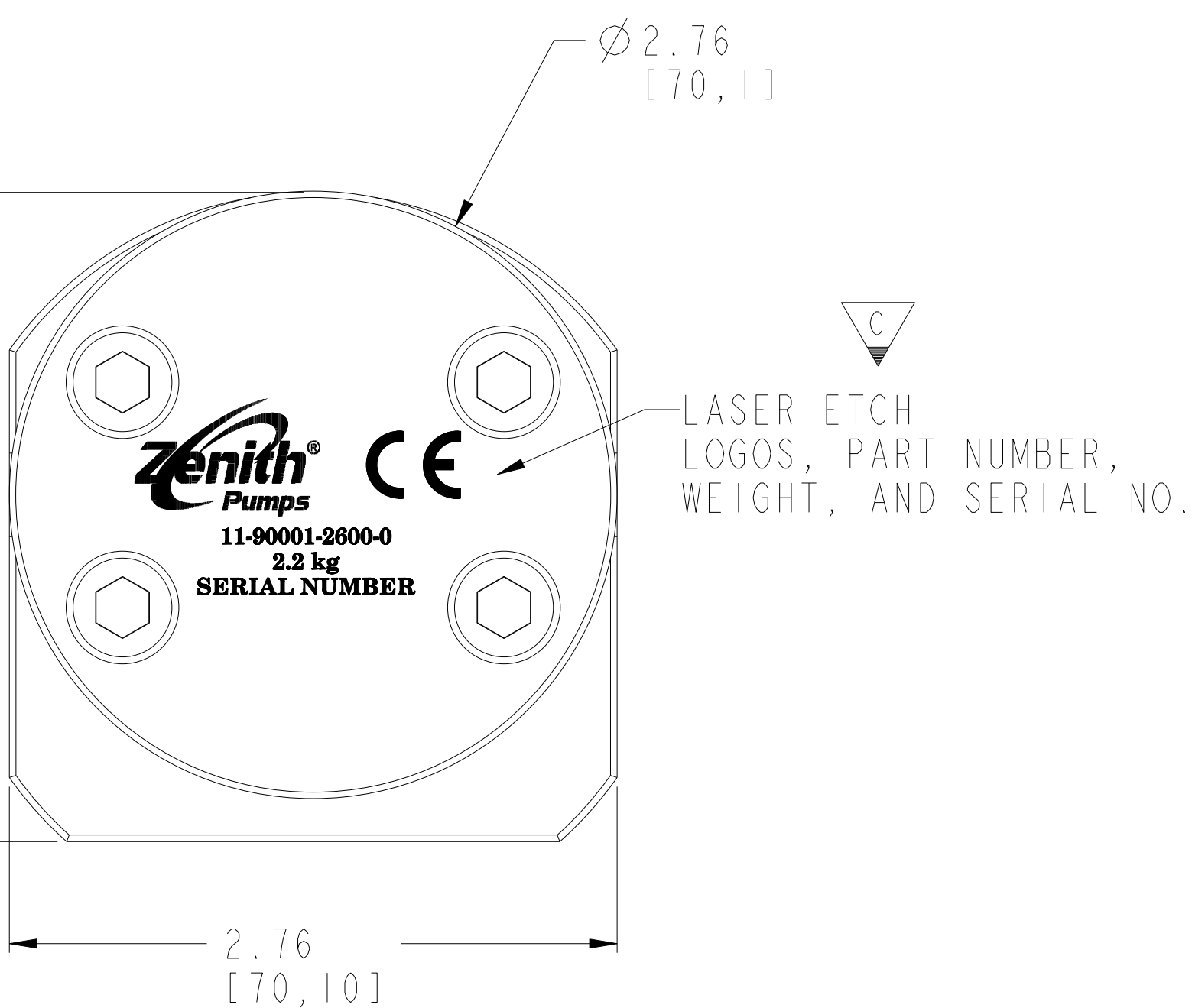
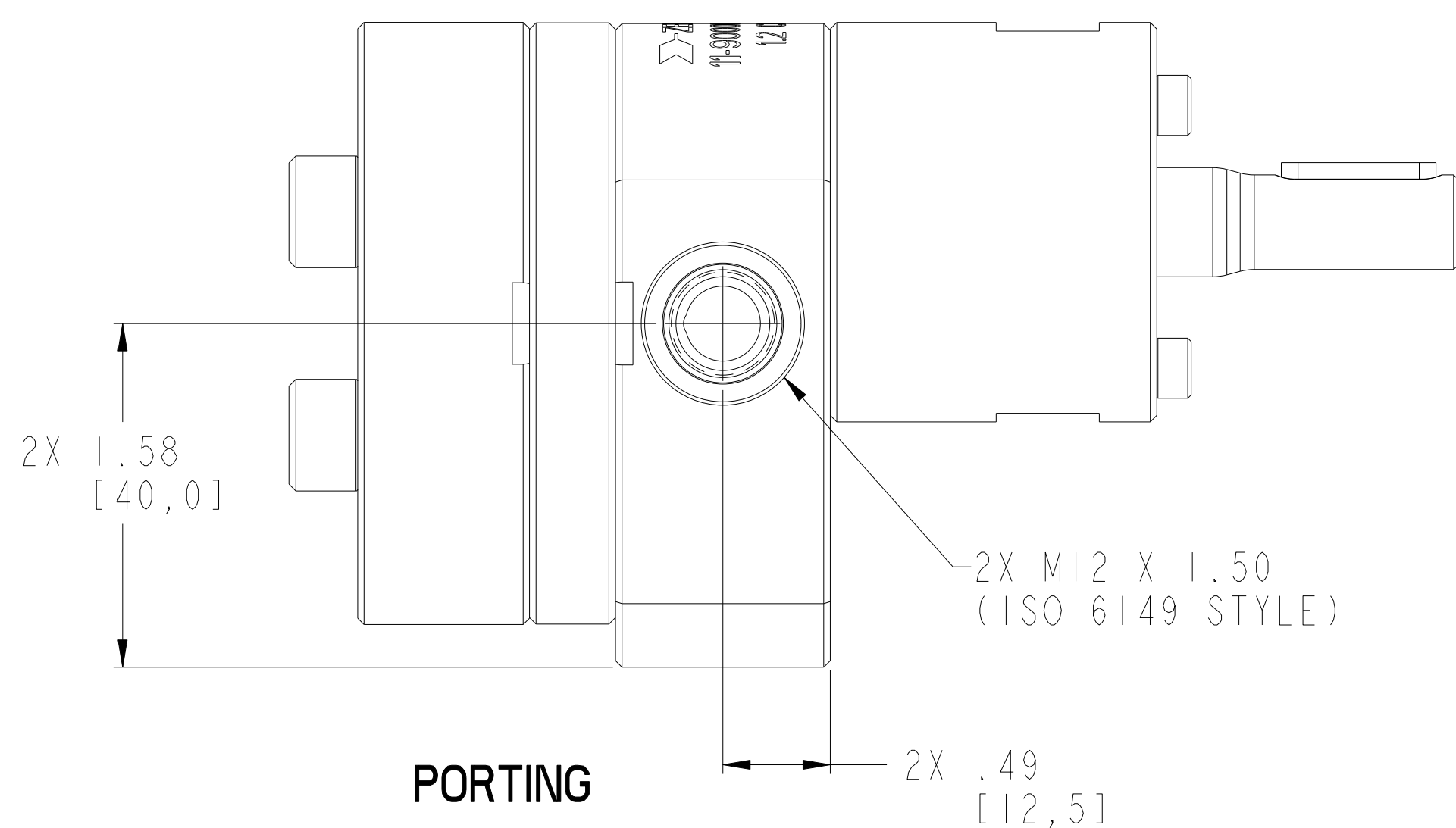
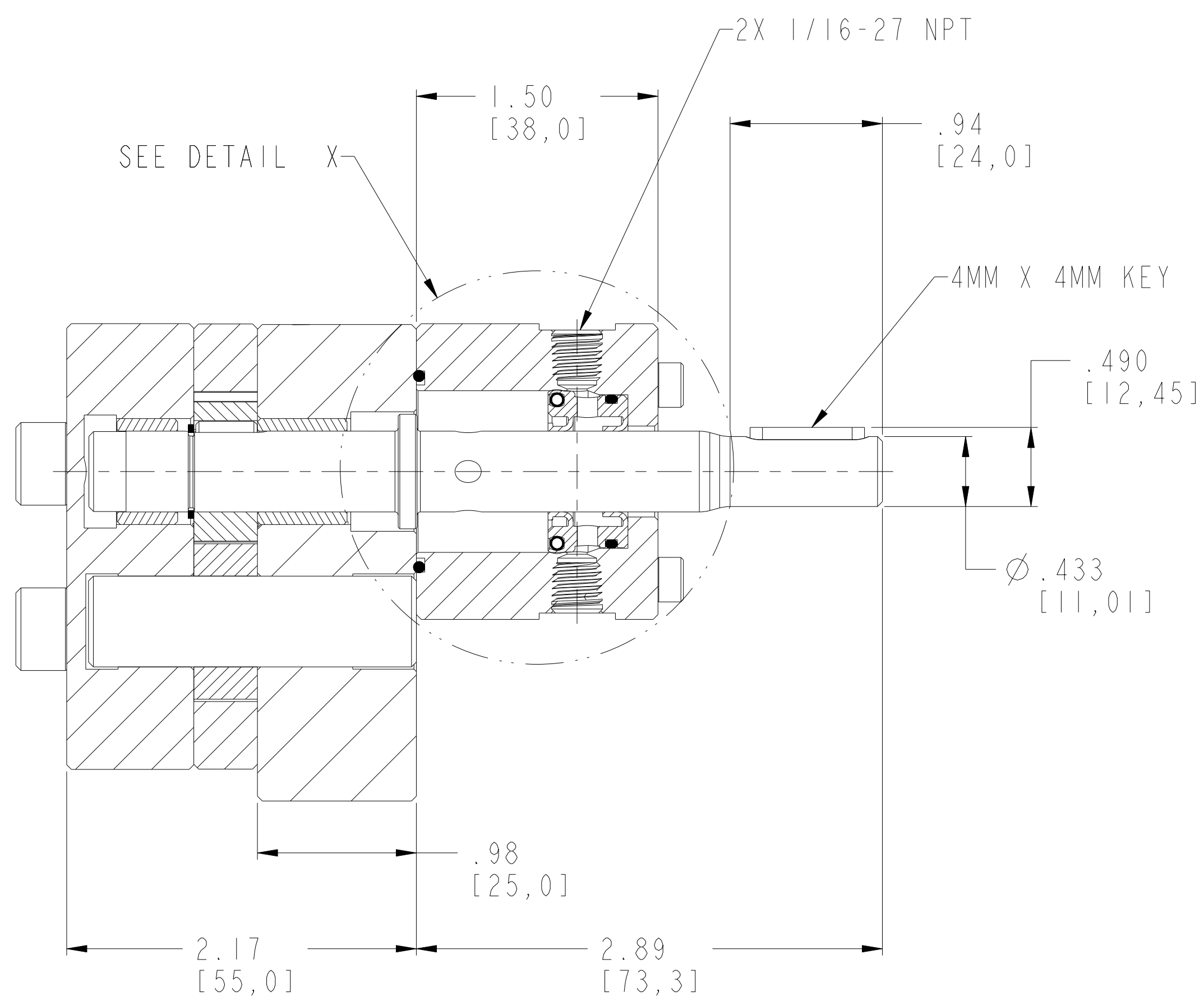


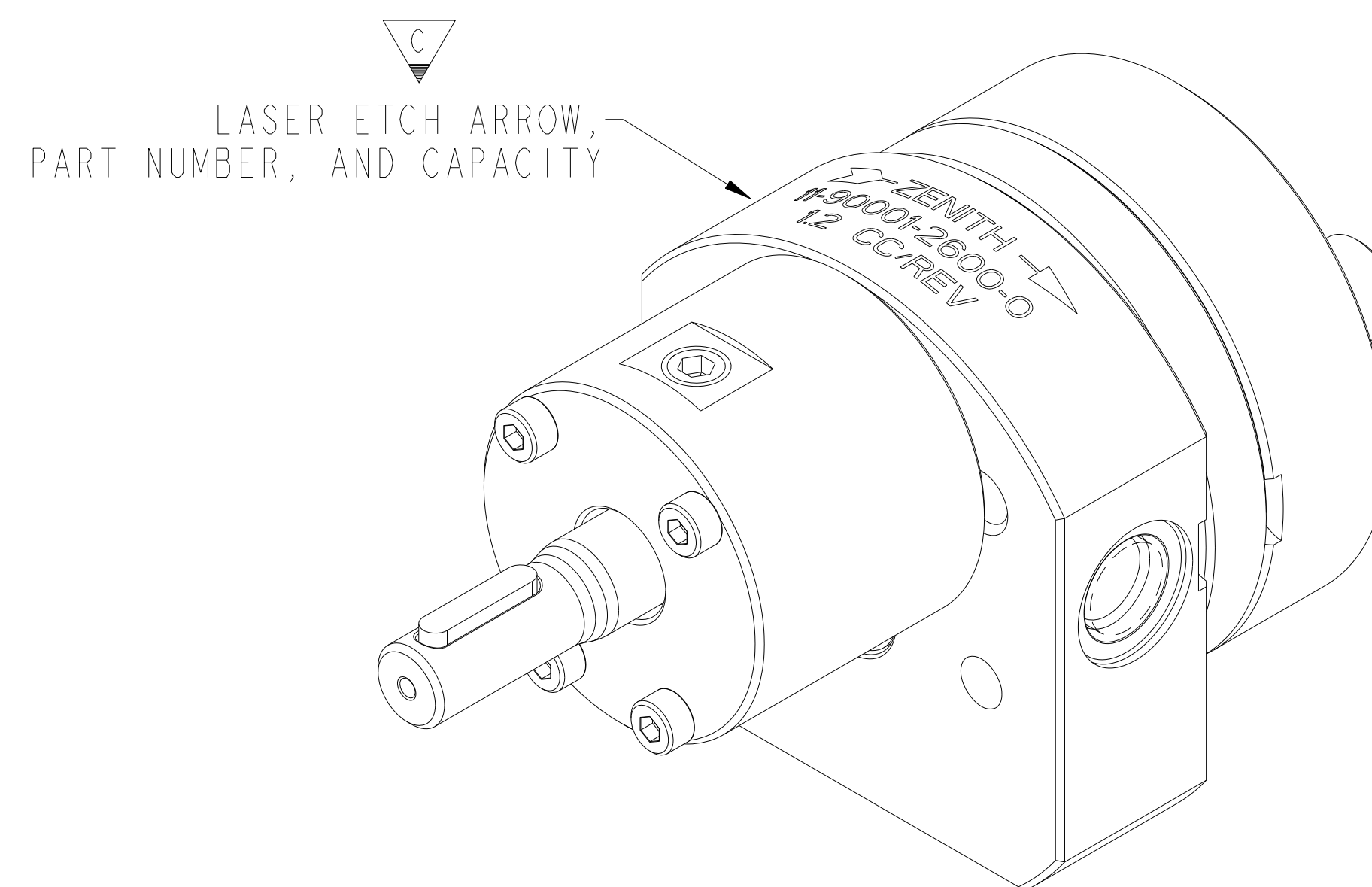
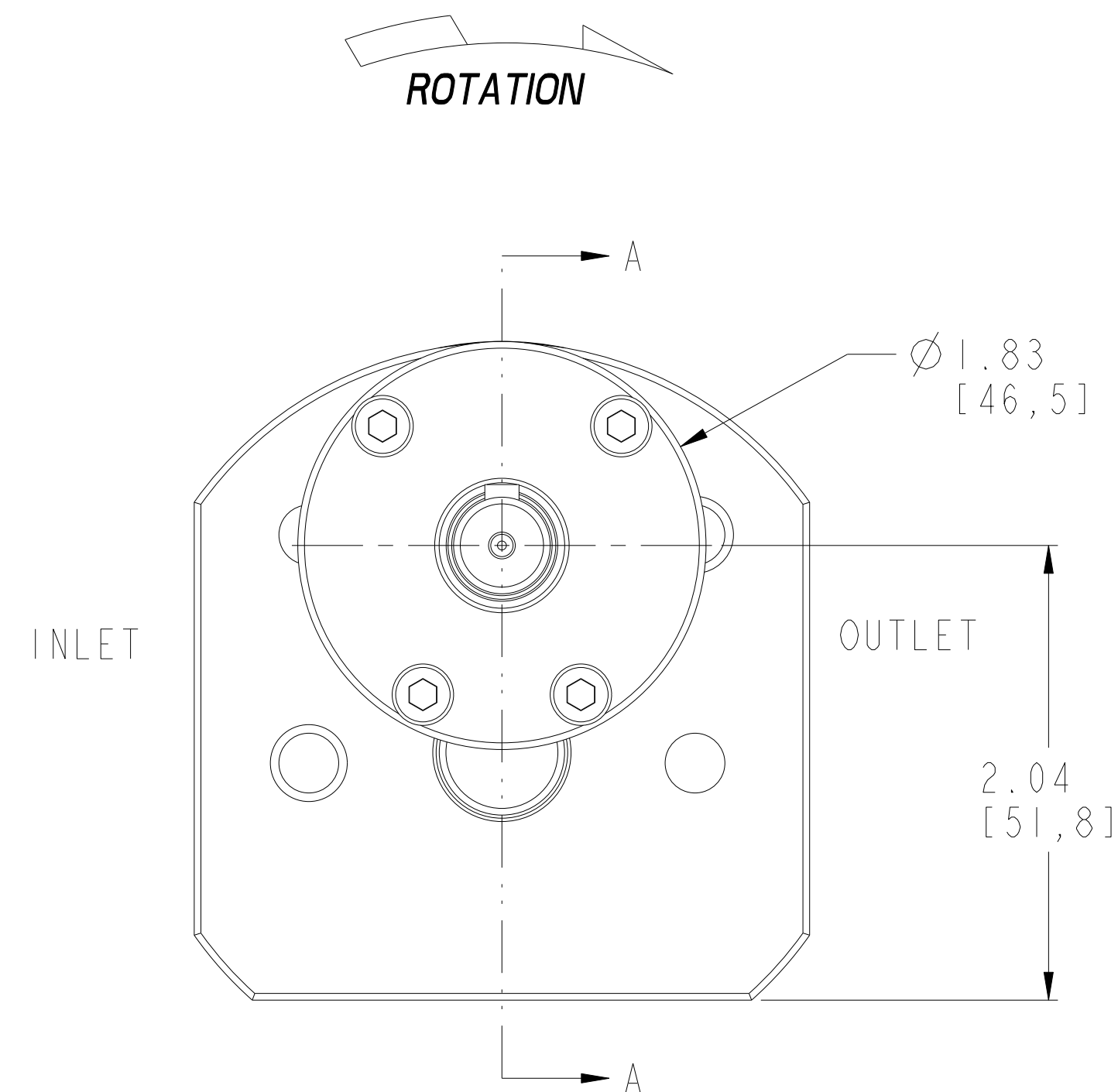
E:
DLTS - LUBRICATED = 31 lb.-in.
DLTS - LUBRICATED = 262 lb.-in.
DLTS - LUBRICATED = 519 lb.-in.



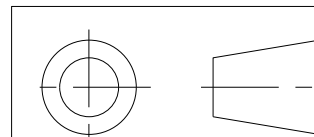
SECTION A-A



REVISIONS			
LTR	DESCRIPTION	DATE	ECN NO.
C	UPDATED SHAFT, PARTS LIST & ETCHING	01/21/2011	107-2010



INTERPRET PER ASME-Y14.5M 1994



THIS DOCUMENT CONTAINS INFORMATION THAT IS CONFIDENTIAL AND PROPRIETARY TO ZENITH PUMPS, COLFAX CORPORATION AND "COLFAX". THIS DOCUMENT IS FURNISHED ON THE UNDERSTANDING THAT THE DOCUMENT AND THE INFORMATION IT CONTAINS WILL NOT BE COPIED OR DISCLOSED TO OTHERS OR USED FOR ANY PURPOSE OTHER THAN CONDUCTING BUSINESS WITH COLFAX, AND WILL BE RETURNED AND ALL FURTHER USE DISCONTINUED UPON REQUEST BY COLFAX.	UNLESS OTHERWISE SPECIFIED DIMENSIONS ARE IN INCH TOLERANCES		DRAWN LG	6.2.99	ZENITH PUMPS 1710 AIRPORT ROAD MONROE, NC 28110	
	.XX ± 0.01	.XXX ± 0.005	ANG ± 0.5	CHECKED		
MATERIAL			PART WEIGHT =	LBS		
			MODEL NUMBER =	119000126000	H-9000-1.2-600	
			DRAWING =	119000126000	SINGLE STREAM 1.2 CC/REV	
			PRO/ENGINEER DRAWING	SIZE D	SCALE 3:2	DRAWING NUMBER
					SHEET 1 OF 3	11-90001-2600-0
						REV C

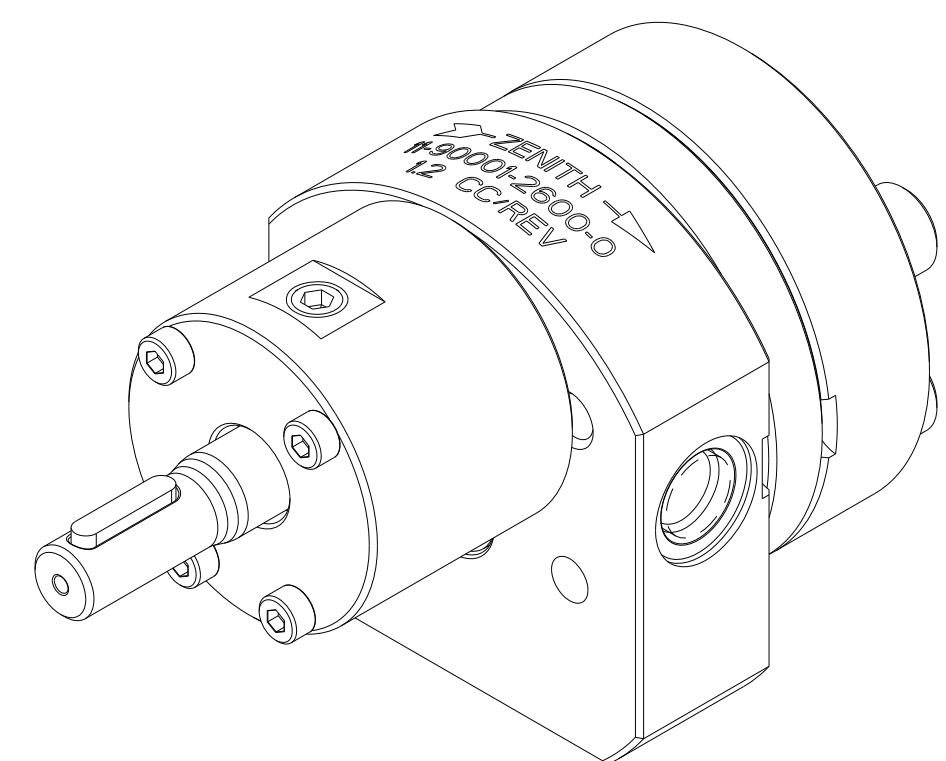
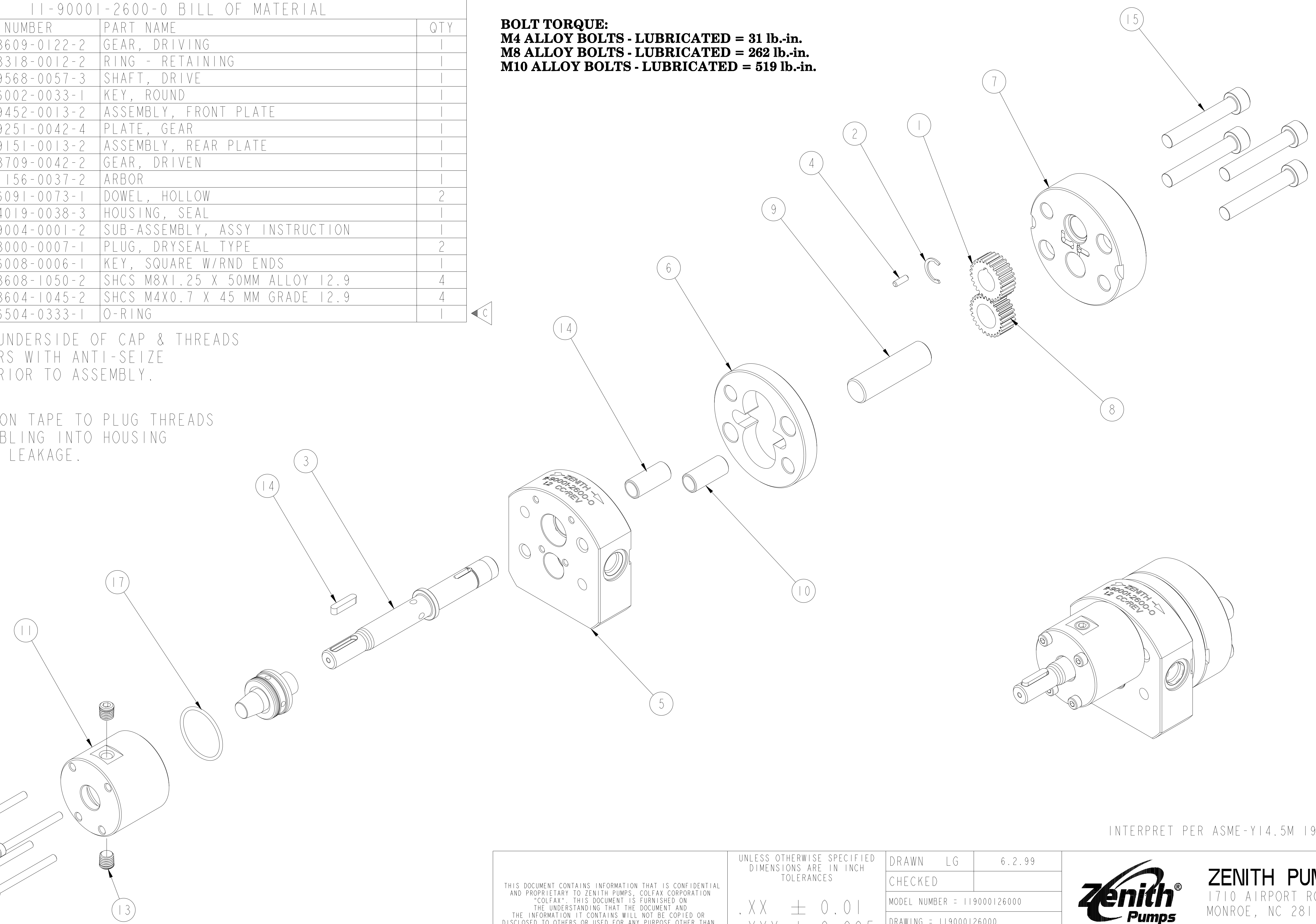
11-90001-2600-0 BILL OF MATERIAL

NUMBER	PART NAME	QTY
3609-0122-2	GEAR, DRIVING	1
3318-0012-2	RING - RETAINING	1
0568-0057-3	SHAFT, DRIVE	1
0002-0033-1	KEY, ROUND	1
0452-0013-2	ASSEMBLY, FRONT PLATE	1
0251-0042-4	PLATE, GEAR	1
0151-0013-2	ASSEMBLY, REAR PLATE	1
0709-0042-2	GEAR, DRIVEN	1
0156-0037-2	ARBOR	1
0091-0073-1	DOWEL, HOLLOW	2
0019-0038-3	HOUSING, SEAL	1
0004-0001-2	SUB-ASSEMBLY, ASSY INSTRUCTION	1
0000-0007-1	PLUG, DRYSEAL TYPE	2
0008-0006-1	KEY, SQUARE W/RND ENDS	1
0608-1050-2	SHCS M8X1.25 X 50MM ALLOY 12.9	4
0604-1045-2	SHCS M4X0.7 X 45 MM GRADE 12.9	4
0504-0333-1	O-RING	1

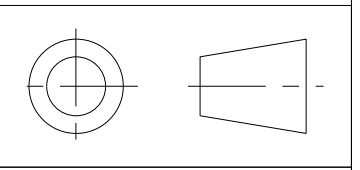
BOLT TORQUE:
M4 ALLOY BOLTS - LUBRICATED = 31 lb.-in.
M8 ALLOY BOLTS - LUBRICATED = 262 lb.-in.
M10 ALLOY BOLTS - LUBRICATED = 519 lb.-in.

UNDERSIDE OF CAP & THREADS
 WITH ANTI-SEIZE
 PRIOR TO ASSEMBLY.

ON TAPE TO PLUG THREADS
 INTO HOUSING
 LEAKAGE.

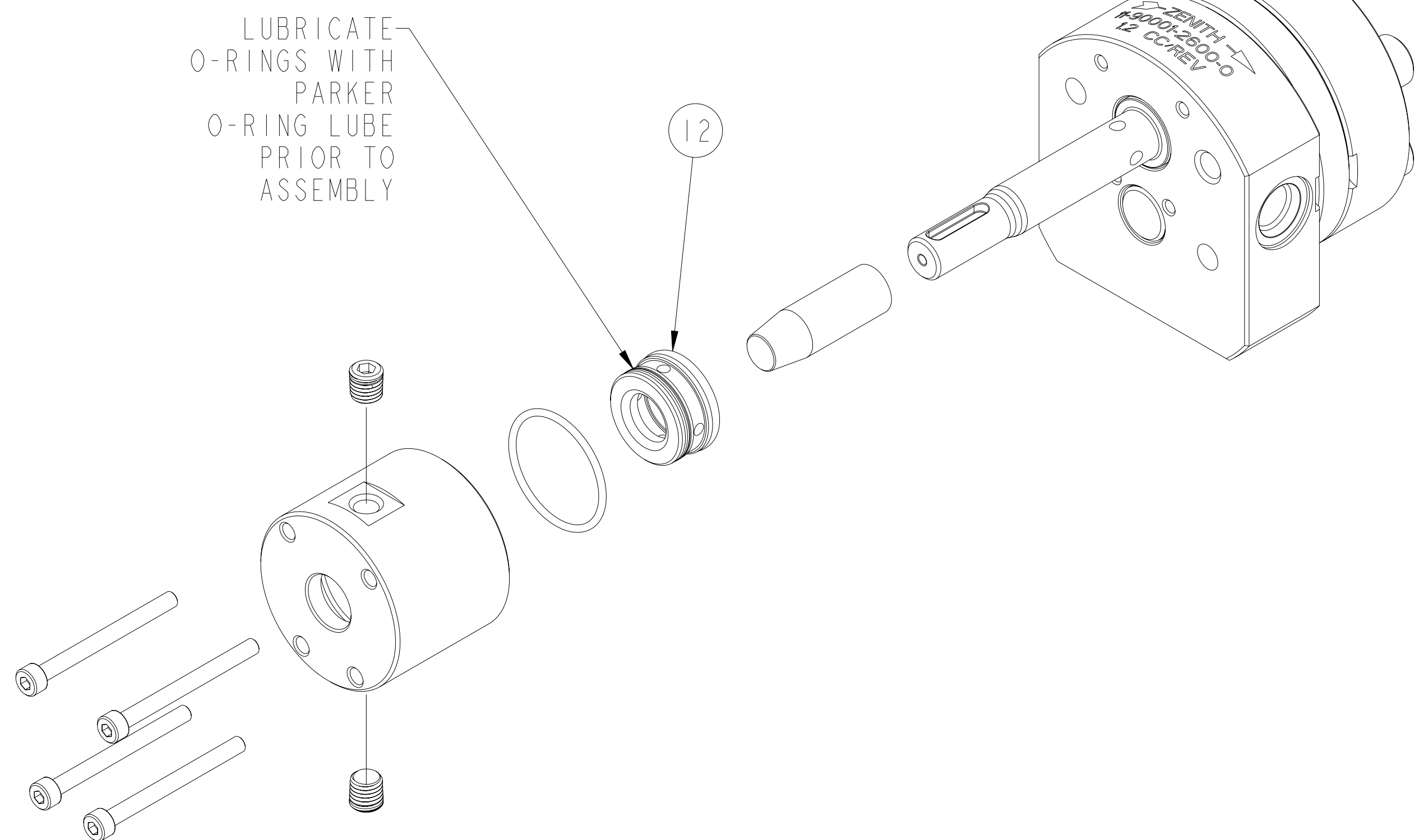


INTERPRET PER ASME-Y14.5M 1994



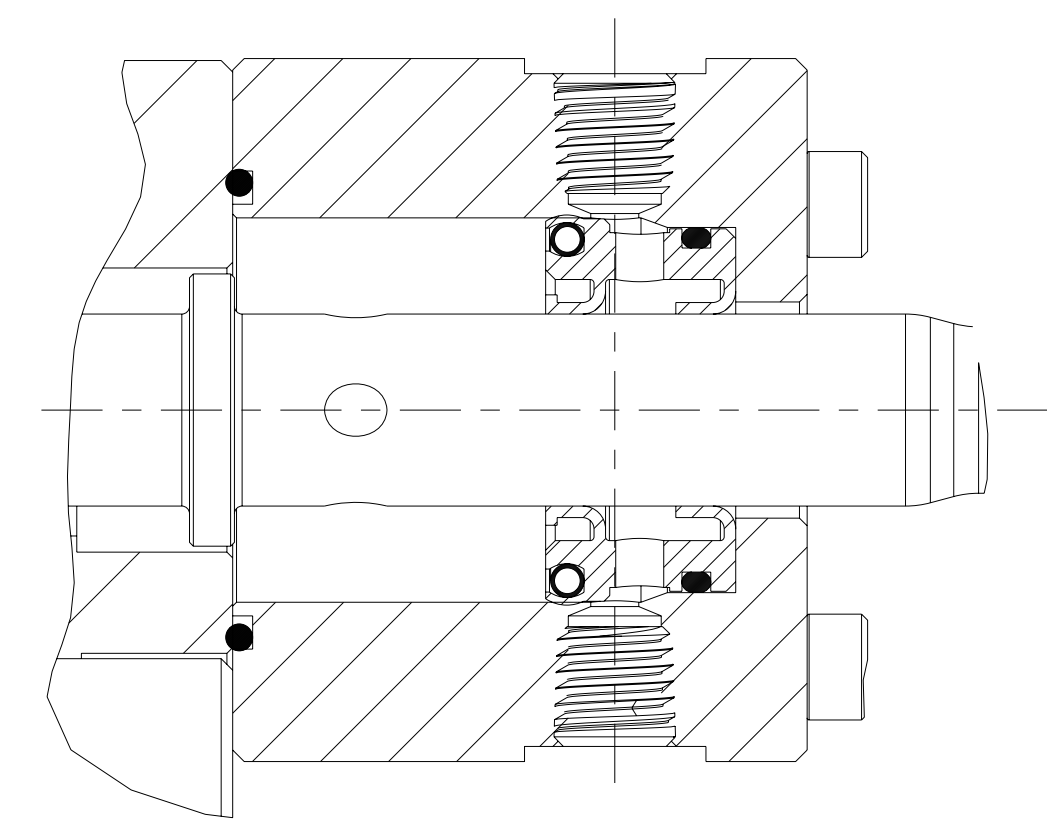
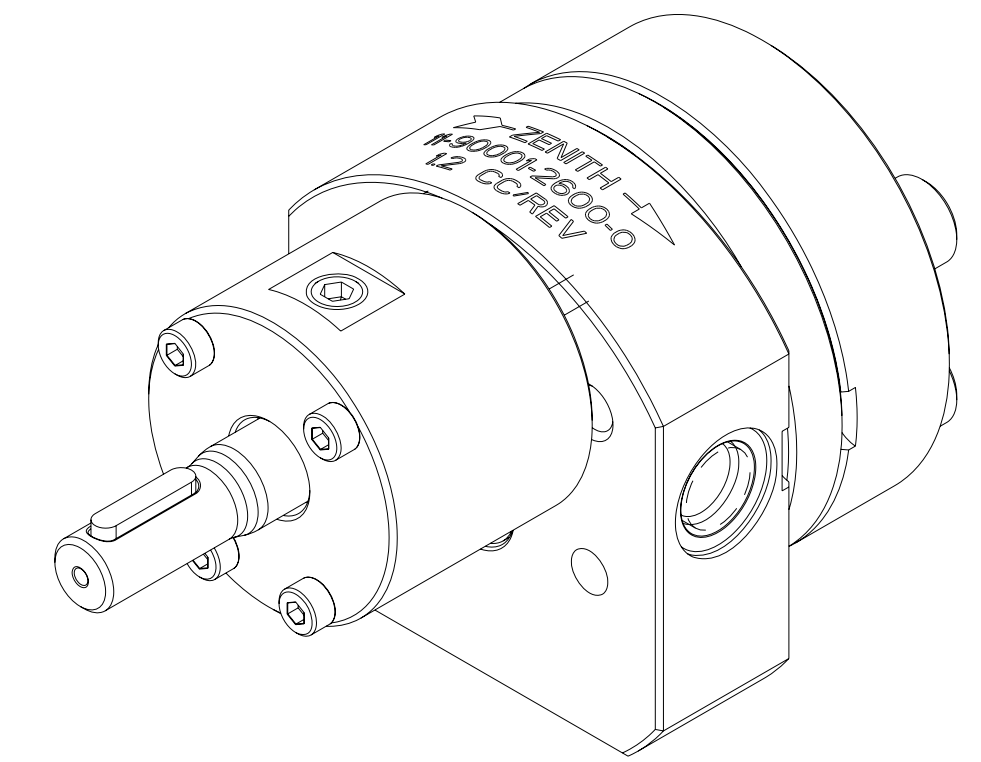
THIS DOCUMENT CONTAINS INFORMATION THAT IS CONFIDENTIAL AND PROPRIETARY TO ZENITH PUMPS, COLFAX CORPORATION "COLFAX". THIS DOCUMENT IS FURNISHED ON THE UNDERSTANDING THAT THE DOCUMENT AND THE INFORMATION IT CONTAINS WILL NOT BE COPIED OR DISCLOSED TO OTHERS OR USED FOR ANY PURPOSE OTHER THAN CONDUCTING BUSINESS WITH COLFAX, AND WILL BE RETURNED AND ALL FURTHER USE DISCONTINUED UPON REQUEST BY COLFAX.	UNLESS OTHERWISE SPECIFIED DIMENSIONS ARE IN INCH TOLERANCES		DRAWN LG 6.2.99 CHECKED MODEL NUMBER = 119000126000 DRAWING = 119000126000	ZENITH PUMPS 1710 AIRPORT ROAD MONROE, NC 28110	DRAWING NUMBER 11-90001-2600-0	REV C
	. XX ± 0.01	. XXX ± 0.005	PRO/ENGINEER DRAWING			
	ANG ± 0.5	SIZE D	SHEET 2 OF 3			

LUBRICATE UNDERSIDE OF CAP & THREADS ON FASTENERS WITH ANTI-SEIZE COMPOUND PRIOR TO ASSEMBLY.



LUBRICATE O-RINGS WITH PARKER O-RING LUBE PRIOR TO ASSEMBLY

APPLY TEFLON TAPE TO PLUG THREADS WHEN ASSEMBLING INTO HOUSING TO PREVENT LEAKAGE.

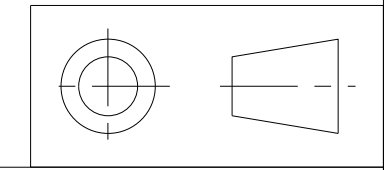


INSTALL SEAL ASSEMBLY TOOL ONTO SHAFT TO COVER KEYWAY DURING SEAL INSTALLATION, TO PREVENT DAMAGE.

PRESS SEAL FIRMLY INTO HOUSING PRIOR TO INSTALLING ONTO PUMP

DETAIL X
SCALE 2:1

INTERPRET PER ASME-Y14.5M 1994



<p>THIS DOCUMENT CONTAINS INFORMATION THAT IS CONFIDENTIAL AND PROPRIETARY TO ZENITH PUMPS, COLFAX CORPORATION "COLFAX". THIS DOCUMENT IS FURNISHED ON THE UNDERSTANDING THAT THE DOCUMENT AND THE INFORMATION IT CONTAINS WILL NOT BE COPIED OR DISCLOSED TO OTHERS OR USED FOR ANY PURPOSE OTHER THAN CONDUCTING BUSINESS WITH COLFAX, AND WILL BE RETURNED AND ALL FURTHER USE DISCONTINUED UPON REQUEST BY COLFAX.</p>	<p>UNLESS OTHERWISE SPECIFIED DIMENSIONS ARE IN INCH TOLERANCES</p>	<p>DRAWN LG 6.2.99</p>	<p>ZENITH PUMPS 1710 AIRPORT ROAD MONROE, NC 28110</p>	<p>DRAWING NUMBER 11-90001-2600-0</p>	<p>REV C</p>	
	<p>.XX ± 0.01 .XXX ± 0.005 ANG ± 0.5</p>	<p>CHECKED</p>				<p>MODEL NUMBER = 119000126000</p>
			<p>PRO/ENGINEER DRAWING SIZE D</p>	<p>SCALE 1:1 SHEET 3 OF 3</p>		