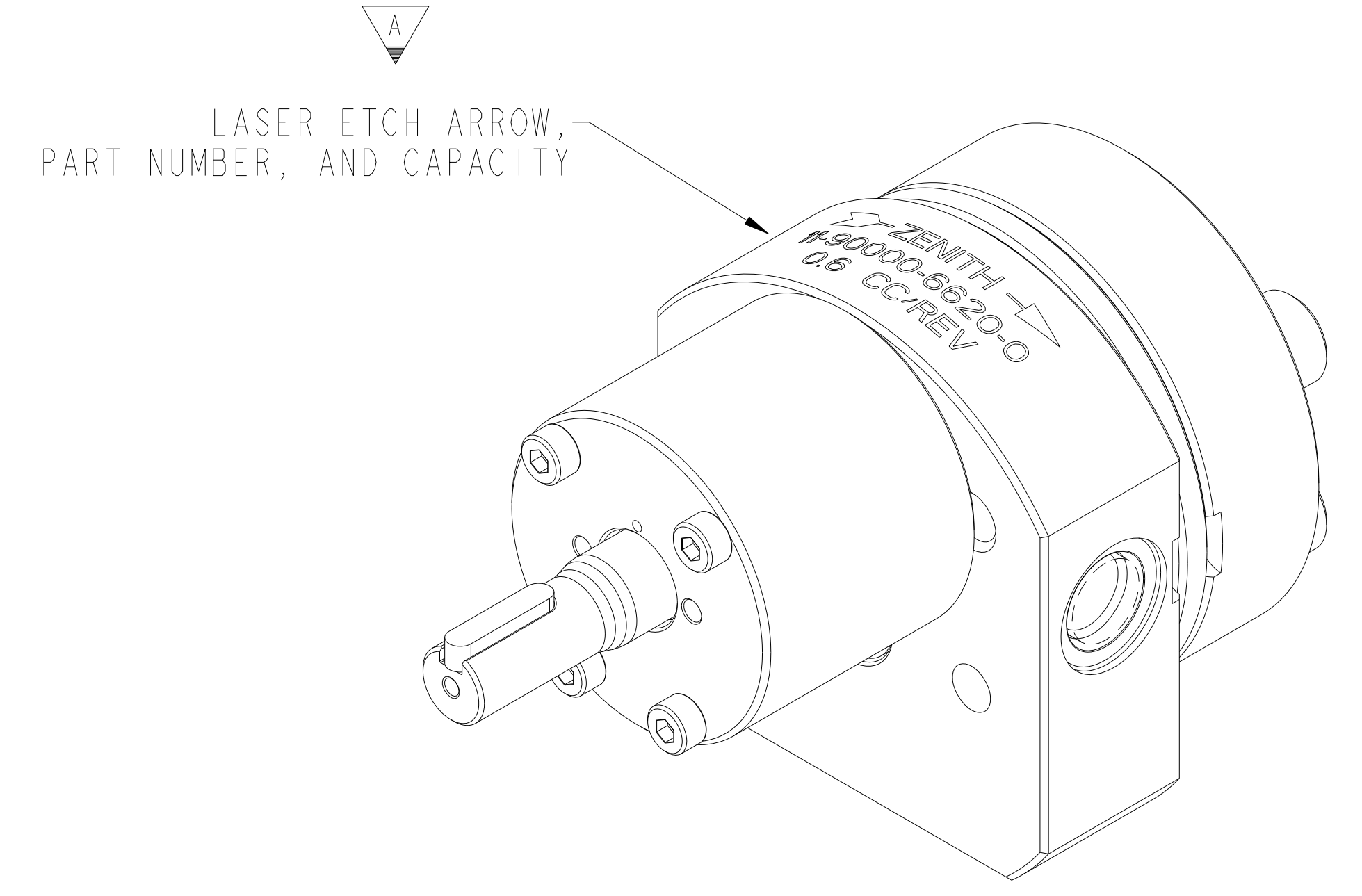
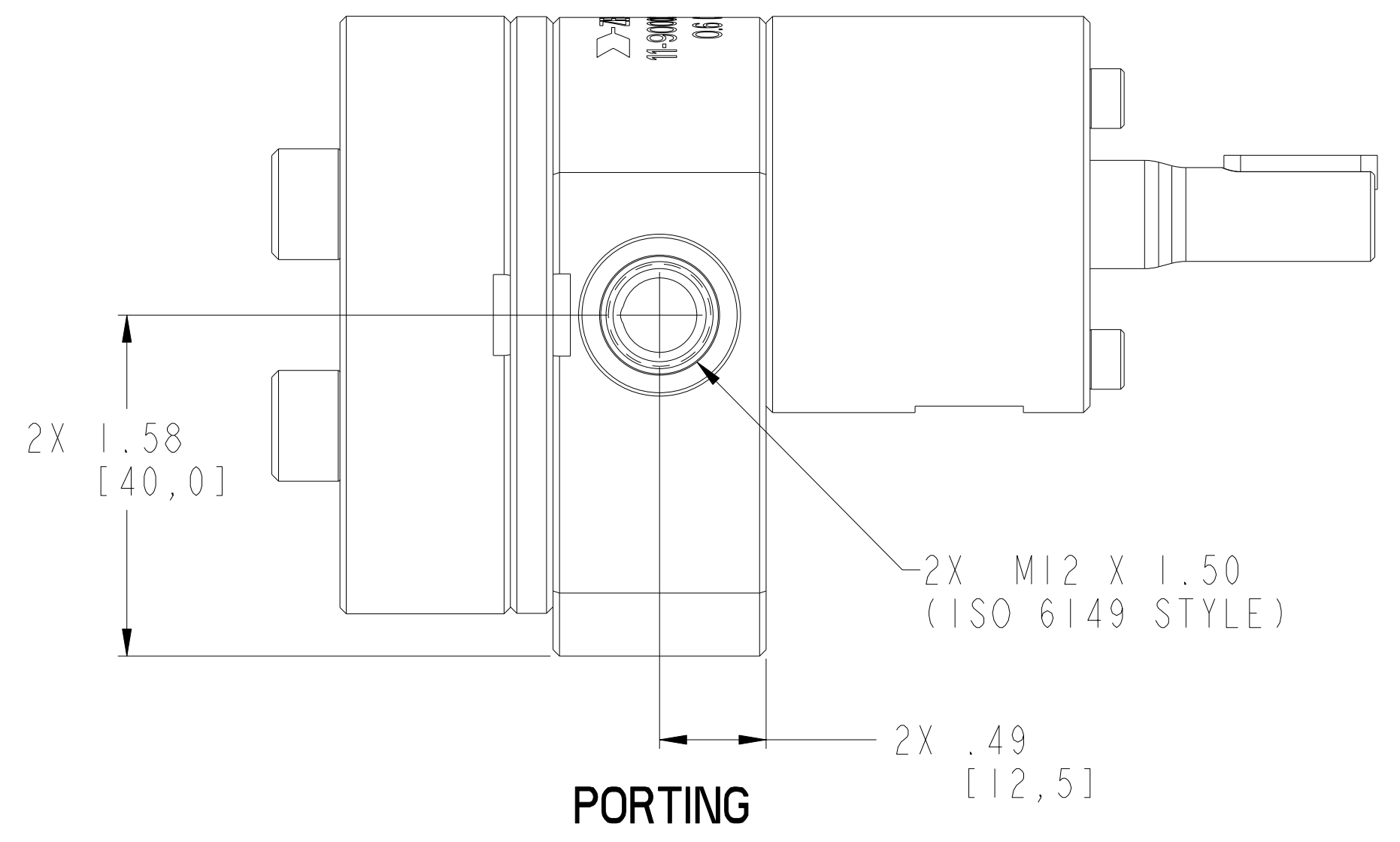
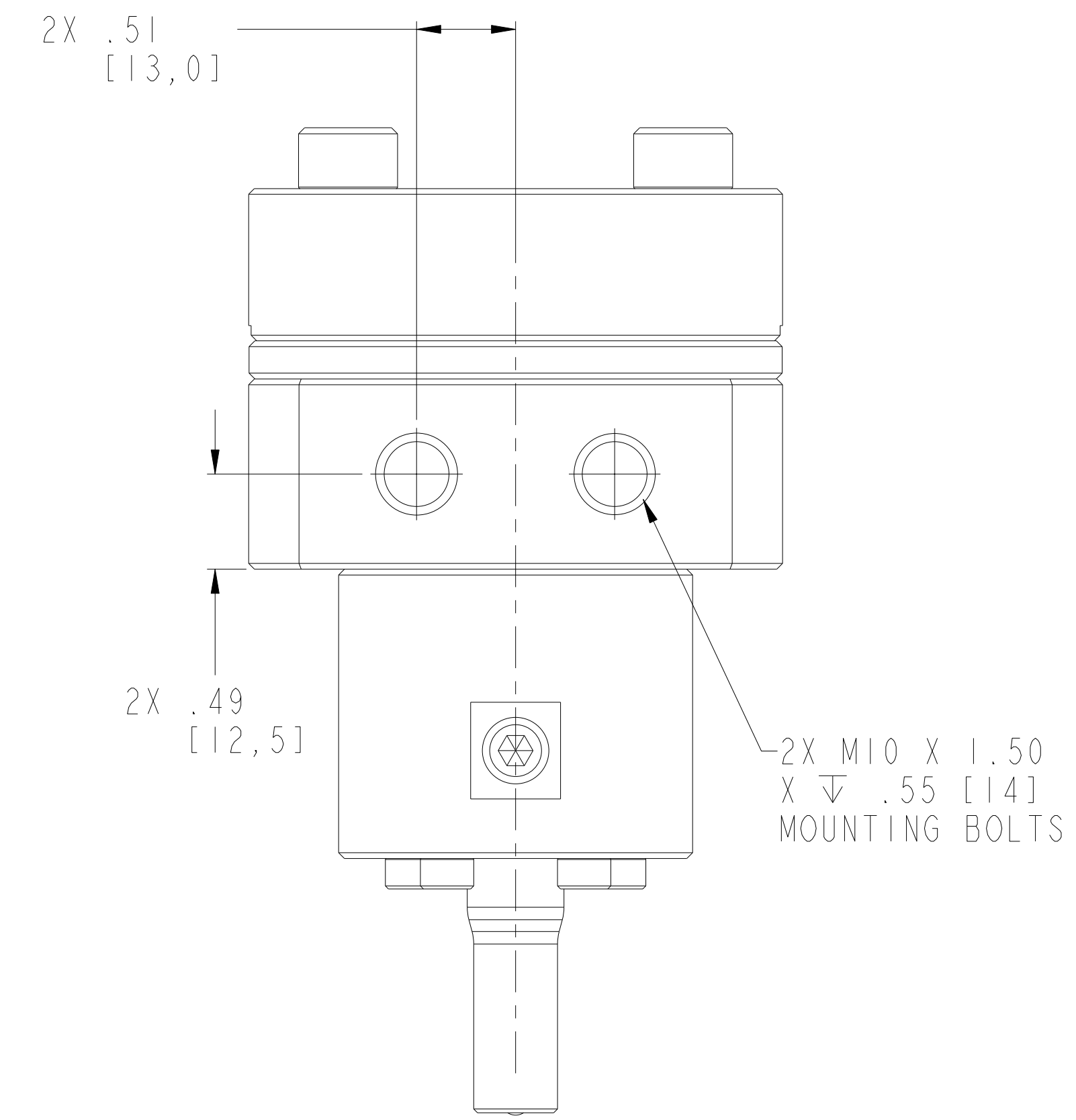
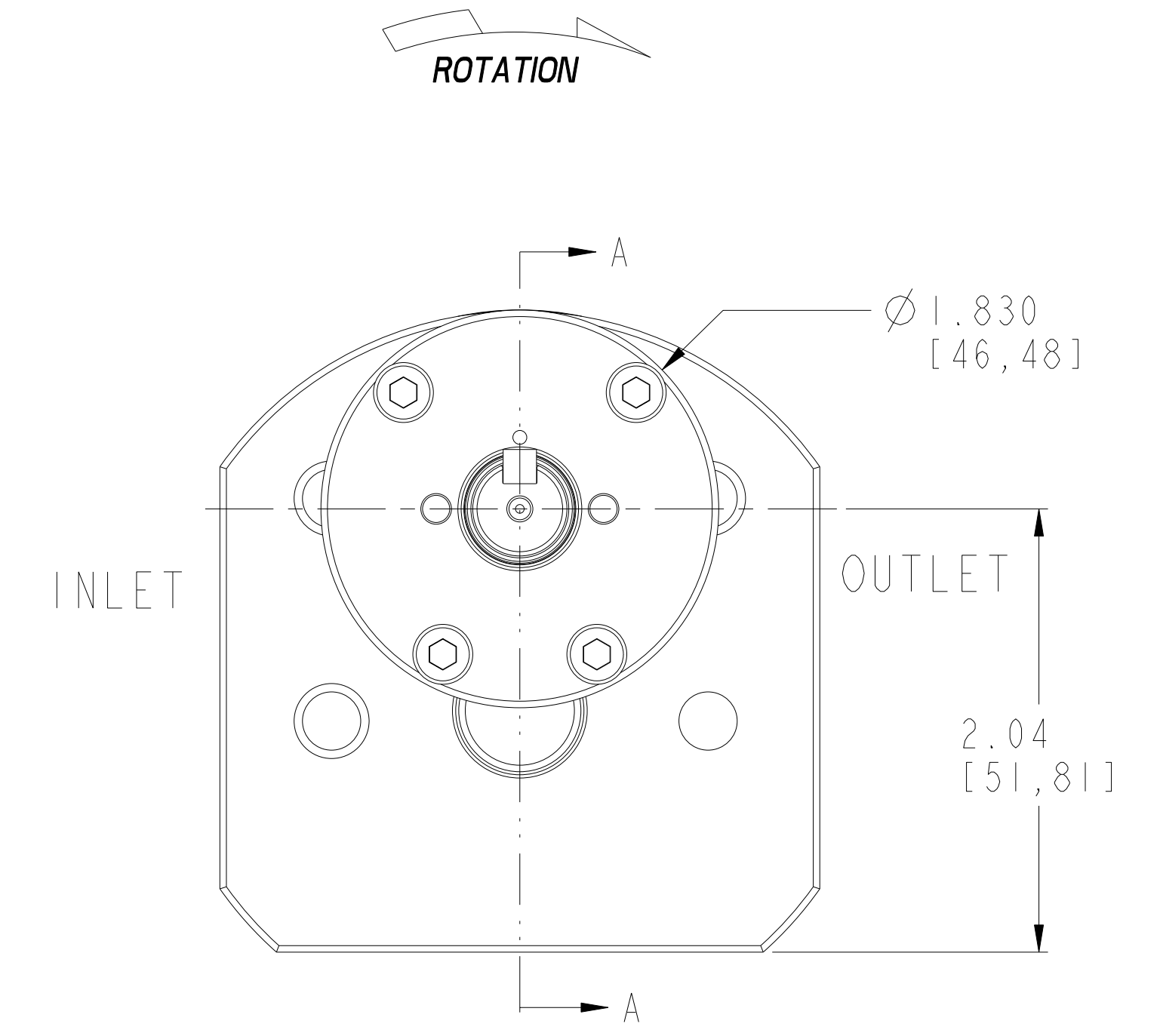
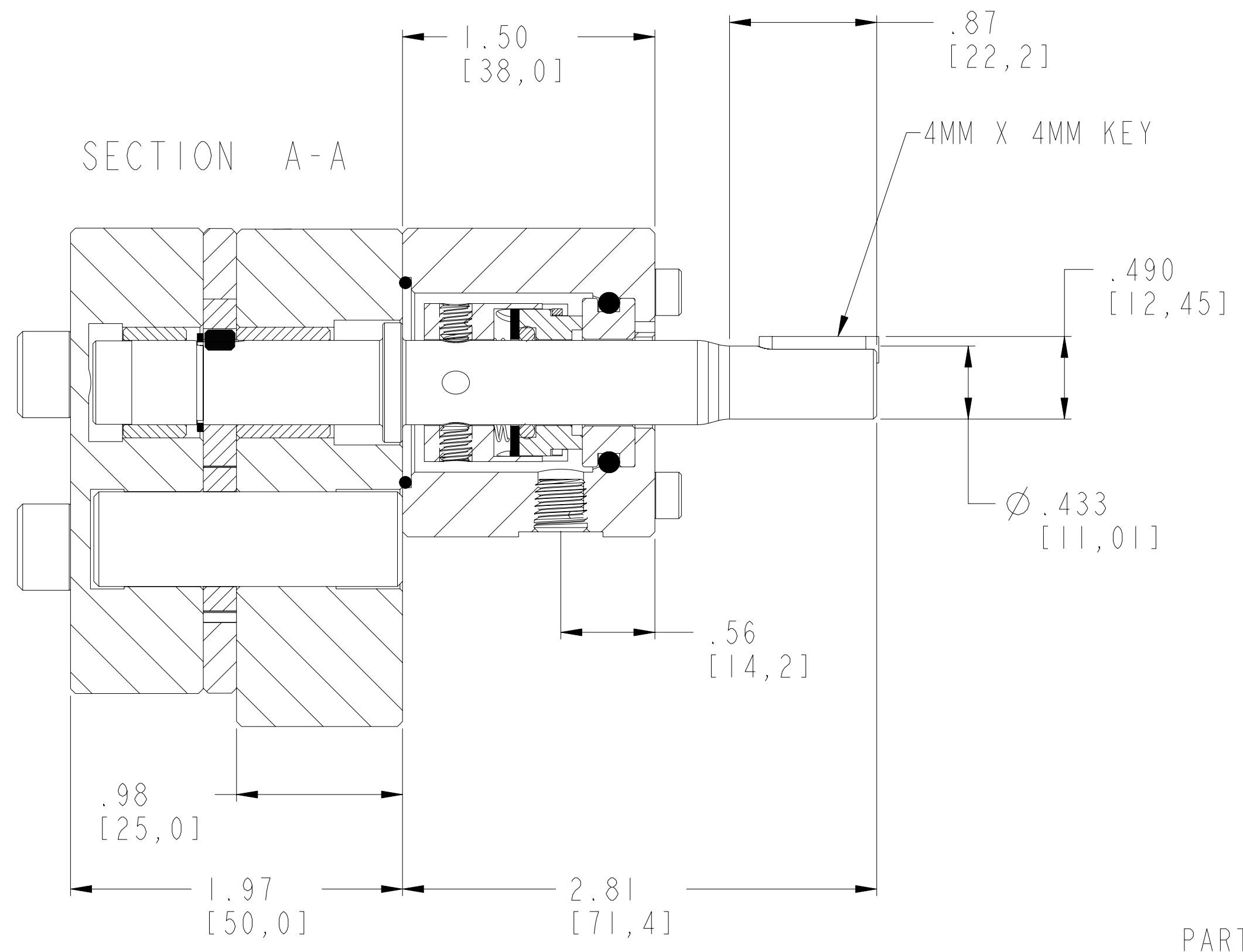
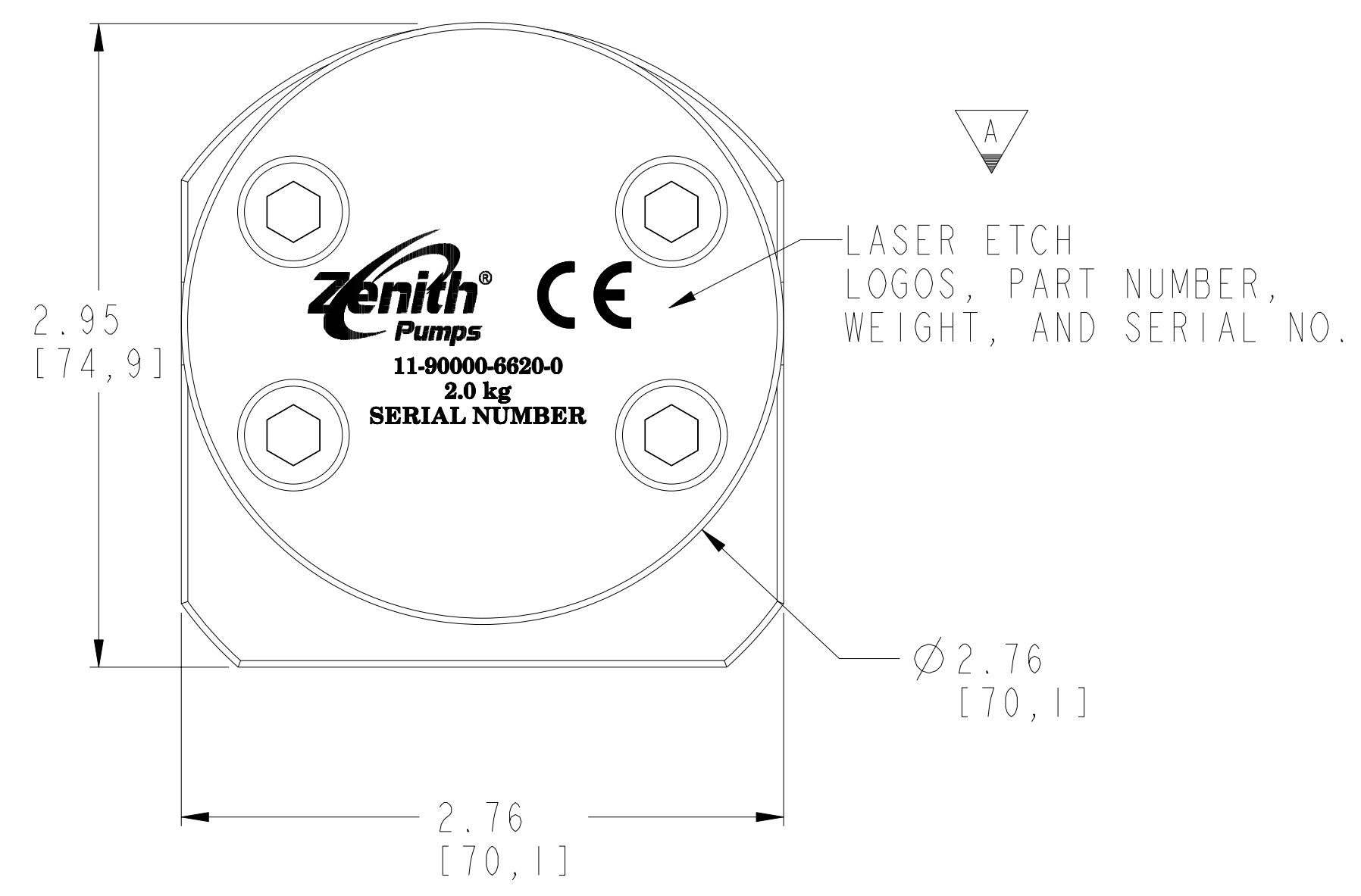


**BOLT TORQUE**  
**M10 ALLOY BOLTS - LUBRICATED = 43 lb.- ft.**  
**M8 ALLOY BOLTS - LUBRICATED = 22 lb.- ft.**  
**M4 ALLOY BOLTS - LUBRICATED = 2.6 lb.- ft.**

REVISIONS			
LTR	DESCRIPTION	DATE	ECN NO.
A	UPDATED SHAFT, PARTS LIST & ETCHING	10/20/10	107-2010



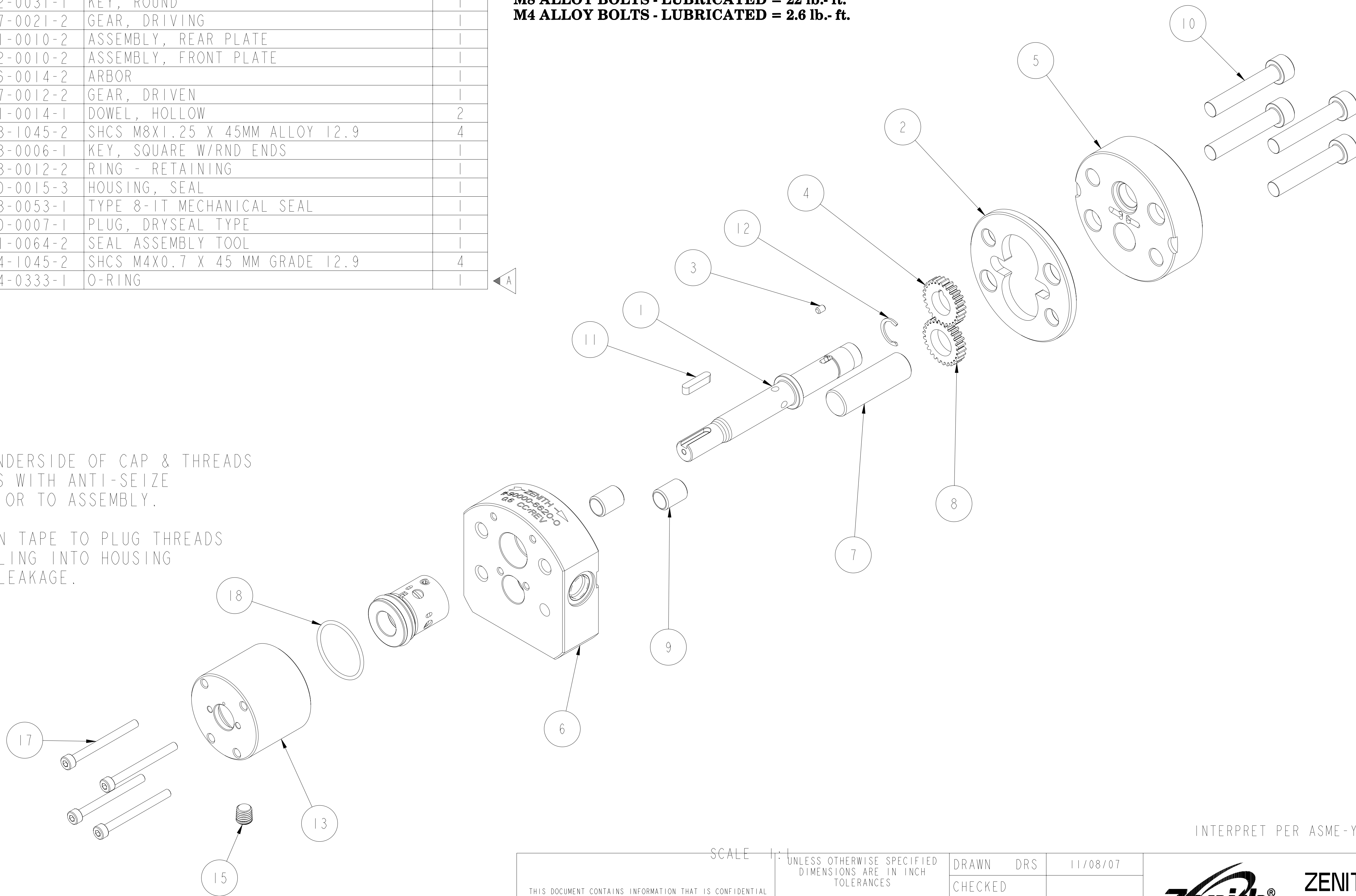
INTERPRET PER ASME-Y14.5M 1994

THIS DOCUMENT CONTAINS INFORMATION THAT IS CONFIDENTIAL AND PROPRIETARY TO ZENITH PUMPS, COLFAX CORPORATION "COLFAX". THIS DOCUMENT IS FURNISHED ON THE UNDERSTANDING THAT THE DOCUMENT AND THE INFORMATION IT CONTAINS WILL NOT BE COPIED OR DISCLOSED TO OTHERS OR USED FOR ANY PURPOSE OTHER THAN CONDUCTING BUSINESS WITH COLFAX, AND WILL BE RETURNED AND ALL FURTHER USE DISCONTINUED UPON REQUEST BY COLFAX.	UNLESS OTHERWISE SPECIFIED DIMENSIONS ARE IN INCH TOLERANCES		DRAWN DRS	11/08/07	<b>ZENITH PUMPS</b> 1710 AIRPORT ROAD MONROE, NC 28110
	.XX $\pm 0.01$	.XXX $\pm 0.005$	ANG $\pm 0.5$	CHECKED	
MATERIAL			PART WEIGHT = 4.614 LBS	MODEL NUMBER = 119000066200	H-9000-0.6-620
			DRAWING = 119000066200	PRO/ENGINEER DRAWING	W/MECHANICAL SEAL
			SIZE D	SCALE 3:2	DRAWING NUMBER
				SHEET 1 OF 3	11-90000-6620-0
					REV A

11-90000-6620-0 BILL OF MATERIAL

ITEM NO.	PART NUMBER	PART NAME	QTY
1	15-79568-0093-3	SHAFT, DRIVE	1
2	15-69251-0014-4	PLATE, GEAR	1
3	15-56002-0031-1	KEY, ROUND	1
4	15-23607-0021-2	GEAR, DRIVING	1
5	14-69151-0010-2	ASSEMBLY, REAR PLATE	1
6	14-69452-0010-2	ASSEMBLY, FRONT PLATE	1
7	15-01156-0014-2	ARBOR	1
8	15-23707-0012-2	GEAR, DRIVEN	1
9	15-16091-0014-1	DOWEL, HOLLOW	2
10	18-78608-1045-2	SHCS M8X1.25 X 45MM ALLOY 12.9	4
11	18-56008-0006-1	KEY, SQUARE W/RND ENDS	1
12	18-18318-0012-2	RING - RETAINING	1
13	15-54020-0015-3	HOUSING, SEAL	1
14	18-79003-0053-1	TYPE 8-IT MECHANICAL SEAL	1
15	18-73000-0007-1	PLUG, DRYSEAL TYPE	1
16	15-00131-0064-2	SEAL ASSEMBLY TOOL	1
17	18-78604-1045-2	SHCS M4X0.7 X 45 MM GRADE 12.9	4
18	18-76504-0333-1	O-RING	1

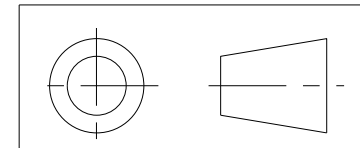
**BOLT TORQUE**  
**M10 ALLOY BOLTS - LUBRICATED = 43 lb.- ft.**  
**M8 ALLOY BOLTS - LUBRICATED = 22 lb.- ft.**  
**M4 ALLOY BOLTS - LUBRICATED = 2.6 lb.- ft.**



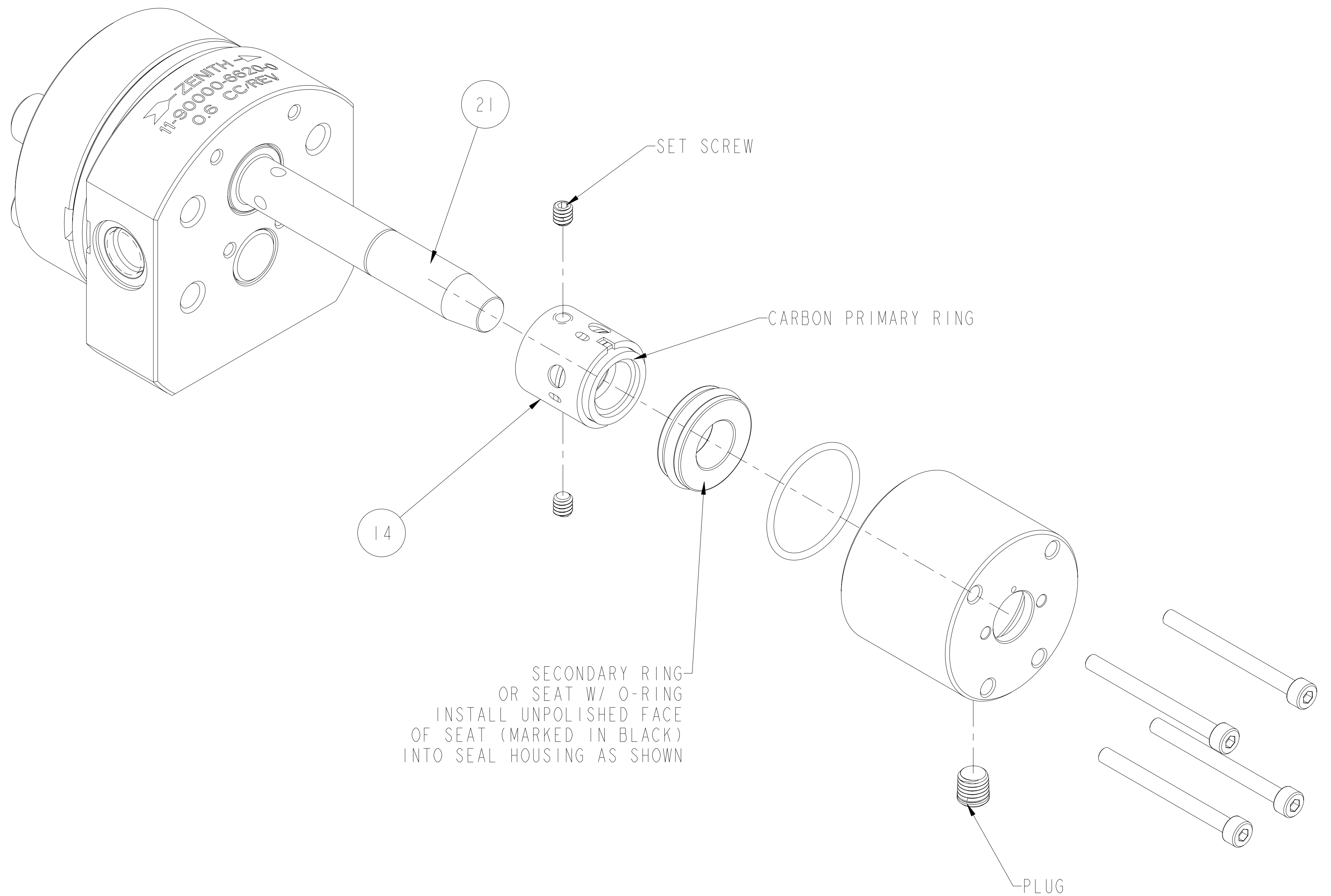
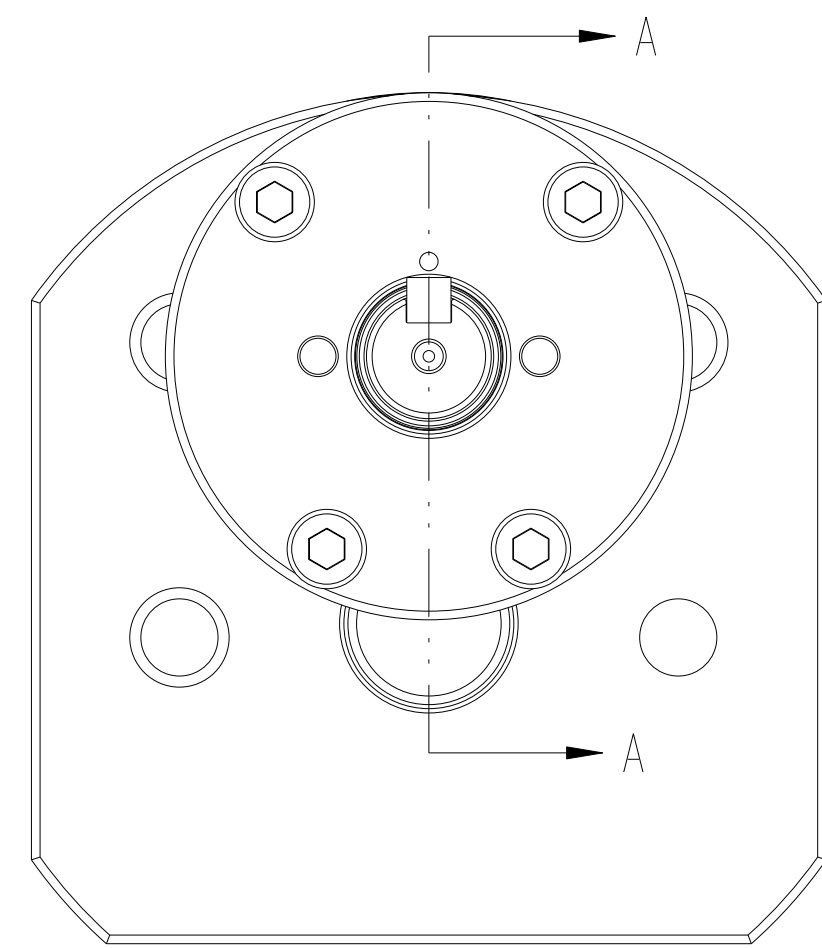
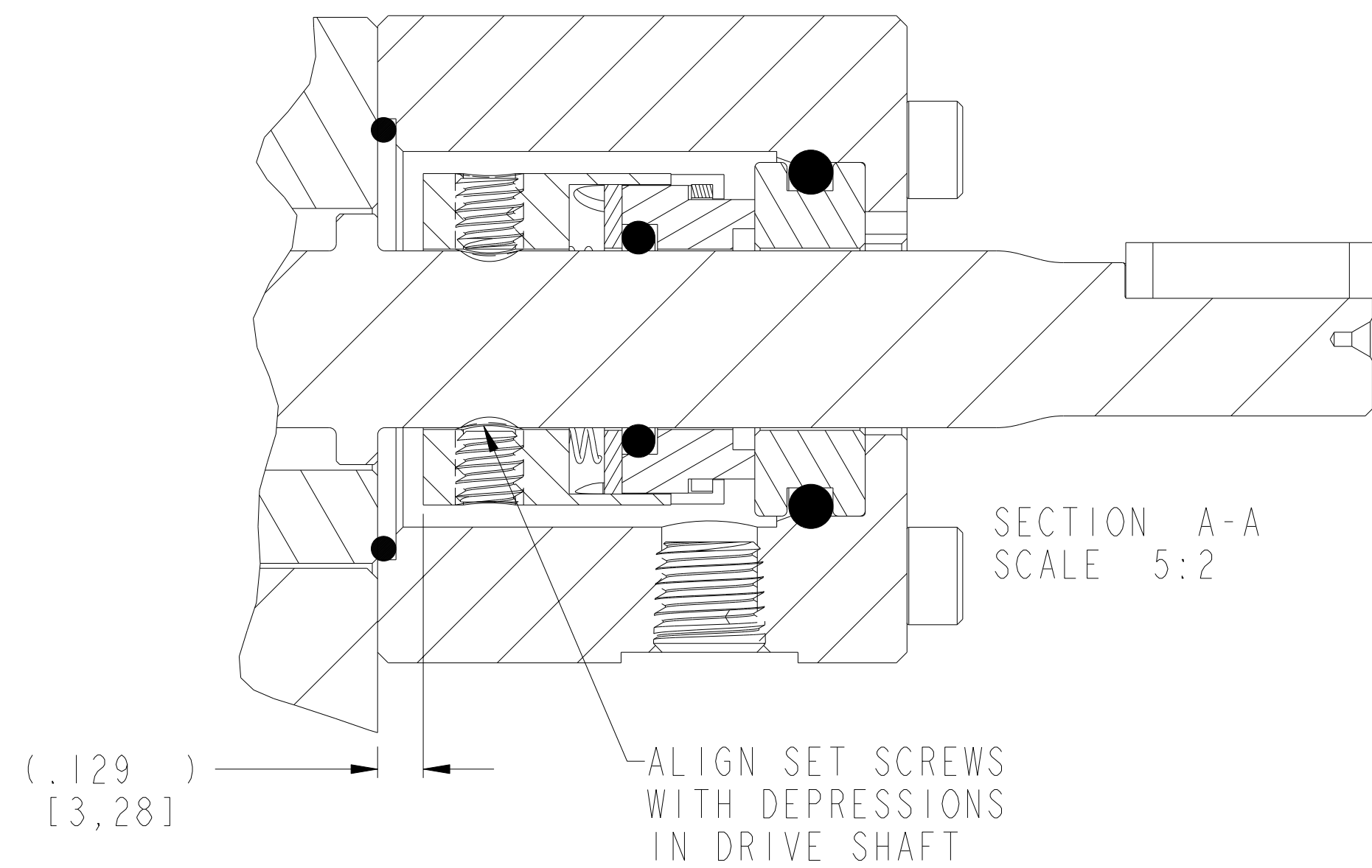
LUBRICATE UNDERSIDE OF CAP & THREADS ON FASTENERS WITH ANTI-SEIZE COMPOUND PRIOR TO ASSEMBLY.

APPLY TEFLON TAPE TO PLUG THREADS WHEN ASSEMBLING INTO HOUSING TO PREVENT LEAKAGE.

INTERPRET PER ASME-Y14.5M 1994



THIS DOCUMENT CONTAINS INFORMATION THAT IS CONFIDENTIAL AND PROPRIETARY TO ZENITH PUMPS, COLFAX CORPORATION "COLFAX". THIS DOCUMENT IS FURNISHED ON THE UNDERSTANDING THAT THE DOCUMENT AND THE INFORMATION IT CONTAINS WILL NOT BE COPIED OR DISCLOSED TO OTHERS OR USED FOR ANY PURPOSE OTHER THAN CONDUCTING BUSINESS WITH COLFAX, AND WILL BE RETURNED AND ALL FURTHER USE DISCONTINUED UPON REQUEST BY COLFAX.	SCALE	UNLESS OTHERWISE SPECIFIED DIMENSIONS ARE IN INCH TOLERANCES	DRAWN DRS 11/08/07	ZENITH PUMPS 1710 AIRPORT ROAD MONROE, NC 28110	DRAWING NUMBER	REV	
		.XX ± 0.01	CHECKED				MODEL NUMBER = 119000066200
		.XXX ± 0.005	PRO/ENGINEER	DRAWING = 119000066200	SCALE 7:8	11-90000-6620-0	A
		ANG ± 0.5	DRAWING	SIZE D	SHEET 2 OF 3		



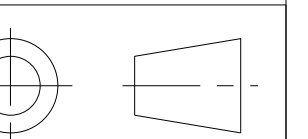
INSTALL SEAL ASSEMBLY TOOL ONTO SHAFT TO COVER KEYWAY DURING SEAL INSTALLATION, TO PREVENT DAMAGE.

LUBRICATE UNDERSIDE OF CAP & THREADS ON FASTENERS WITH ANTI-SEIZE COMPOUND PRIOR TO ASSEMBLY.

LUBRICATE ALL O-RINGS ON LIP SEAL WITH PARKER O-RING LUBE OR EQUIVALENT, PRIOR TO INSTALLING INTO HOUSING.

APPLY TEFLON TAPE TO PLUG THREADS WHEN ASSEMBLING INTO HOUSING TO PREVENT LEAKAGE.

INTERPRET PER ASME-Y14.5M 1994



THIS DOCUMENT CONTAINS INFORMATION THAT IS CONFIDENTIAL AND PROPRIETARY TO ZENITH PUMPS, COLFAX CORPORATION "COLFAX". THIS DOCUMENT IS FURNISHED ON THE UNDERSTANDING THAT THE DOCUMENT AND THE INFORMATION IT CONTAINS WILL NOT BE COPIED OR DISCLOSED TO OTHERS OR USED FOR ANY PURPOSE OTHER THAN CONDUCTING BUSINESS WITH COLFAX, AND WILL BE RETURNED AND ALL FURTHER USE DISCONTINUED UPON REQUEST BY COLFAX.	UNLESS OTHERWISE SPECIFIED DIMENSIONS ARE IN INCH TOLERANCES	DRAWN DRS 11/08/07	<b>ZENITH PUMPS</b> 1710 AIRPORT ROAD MONROE, NC 28110		
	.XX ± 0.01 .XXX ± 0.005 ANG ± 0.5	CHECKED MODEL NUMBER = 119000066200 DRAWING = 119000066200			
	PRO/ENGINEER DRAWING	SIZE D	SCALE 3:2 SHEET 3 OF 3	DRAWING NUMBER 11-90000-6620-0	REV A