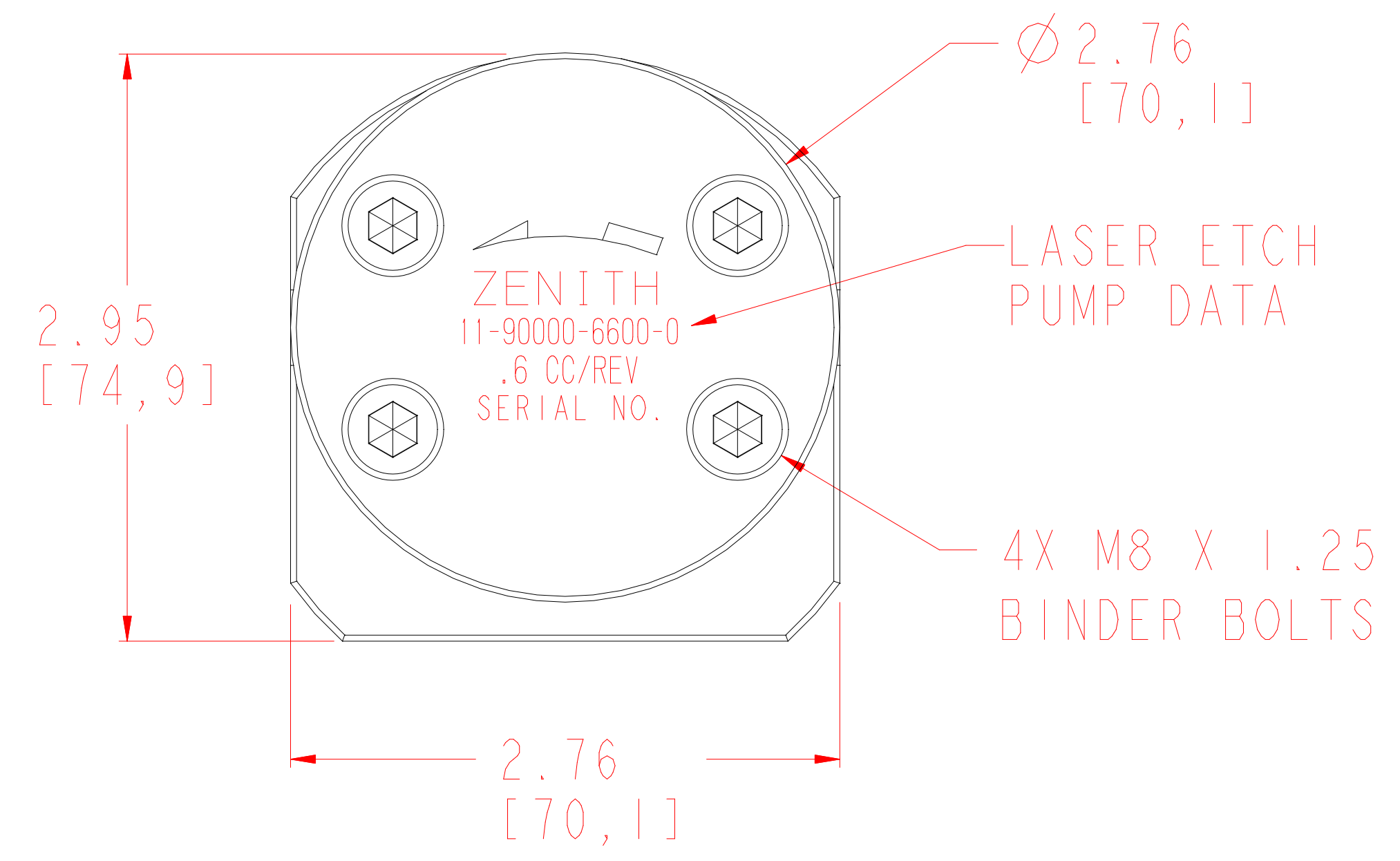


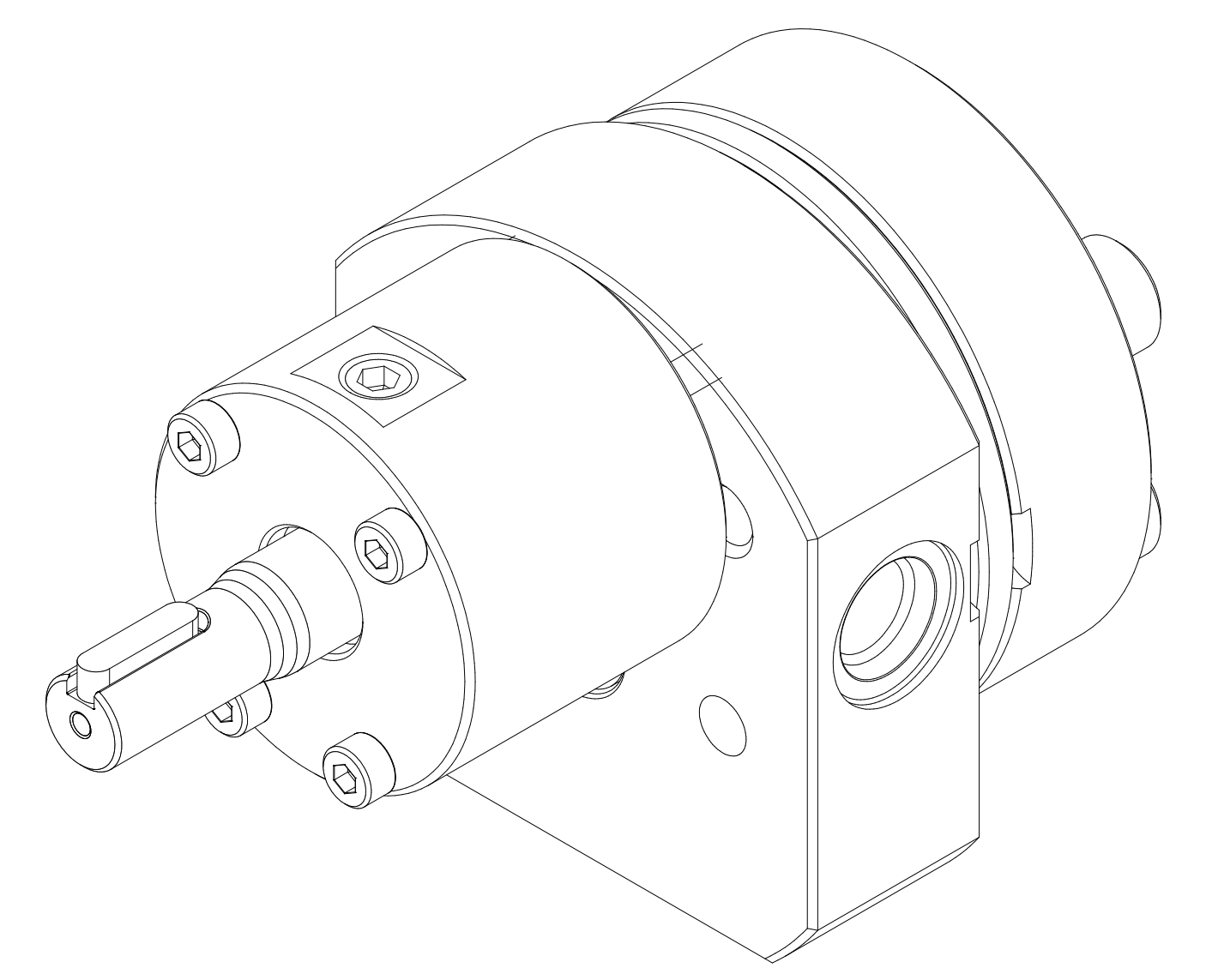
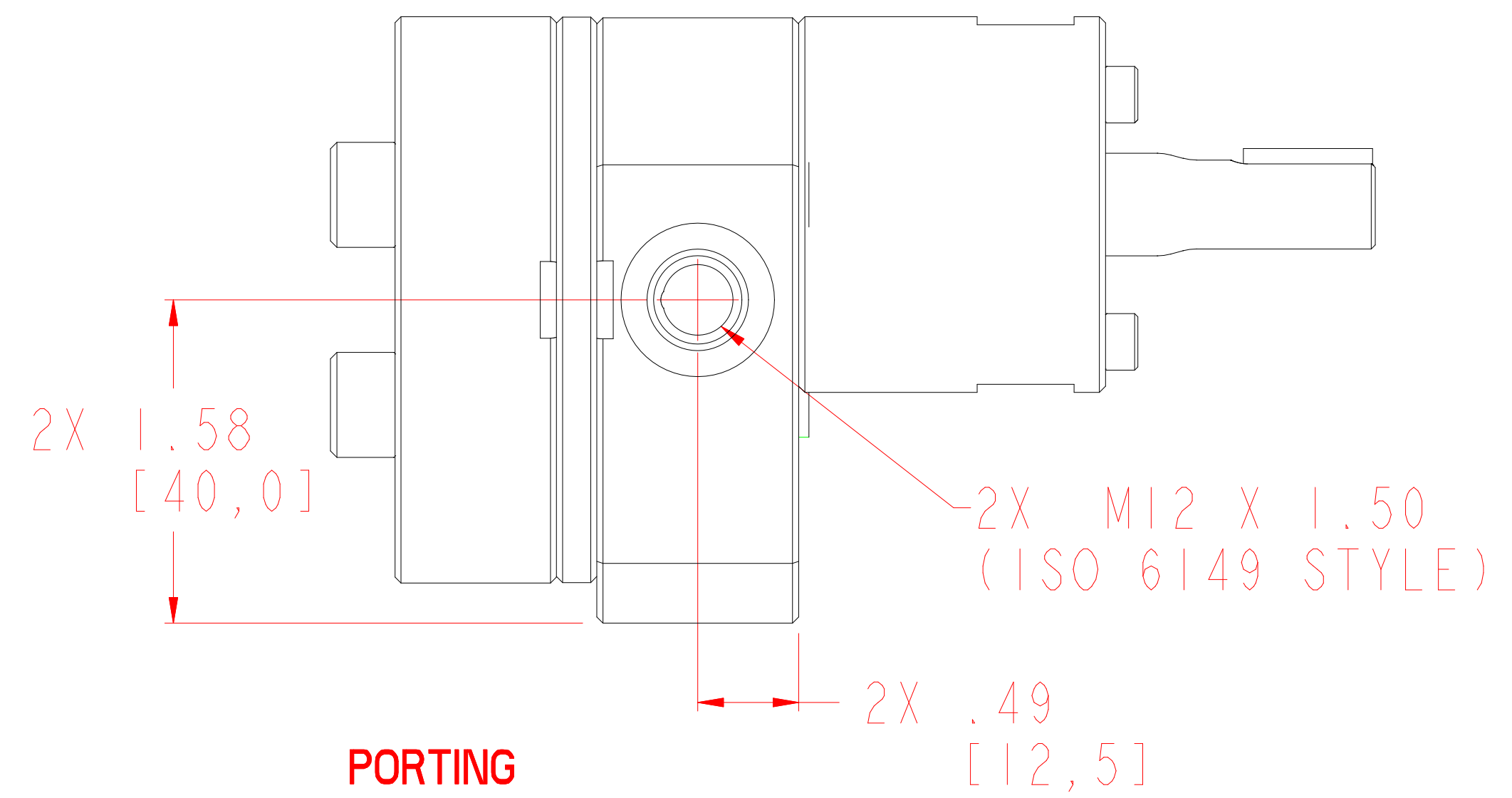
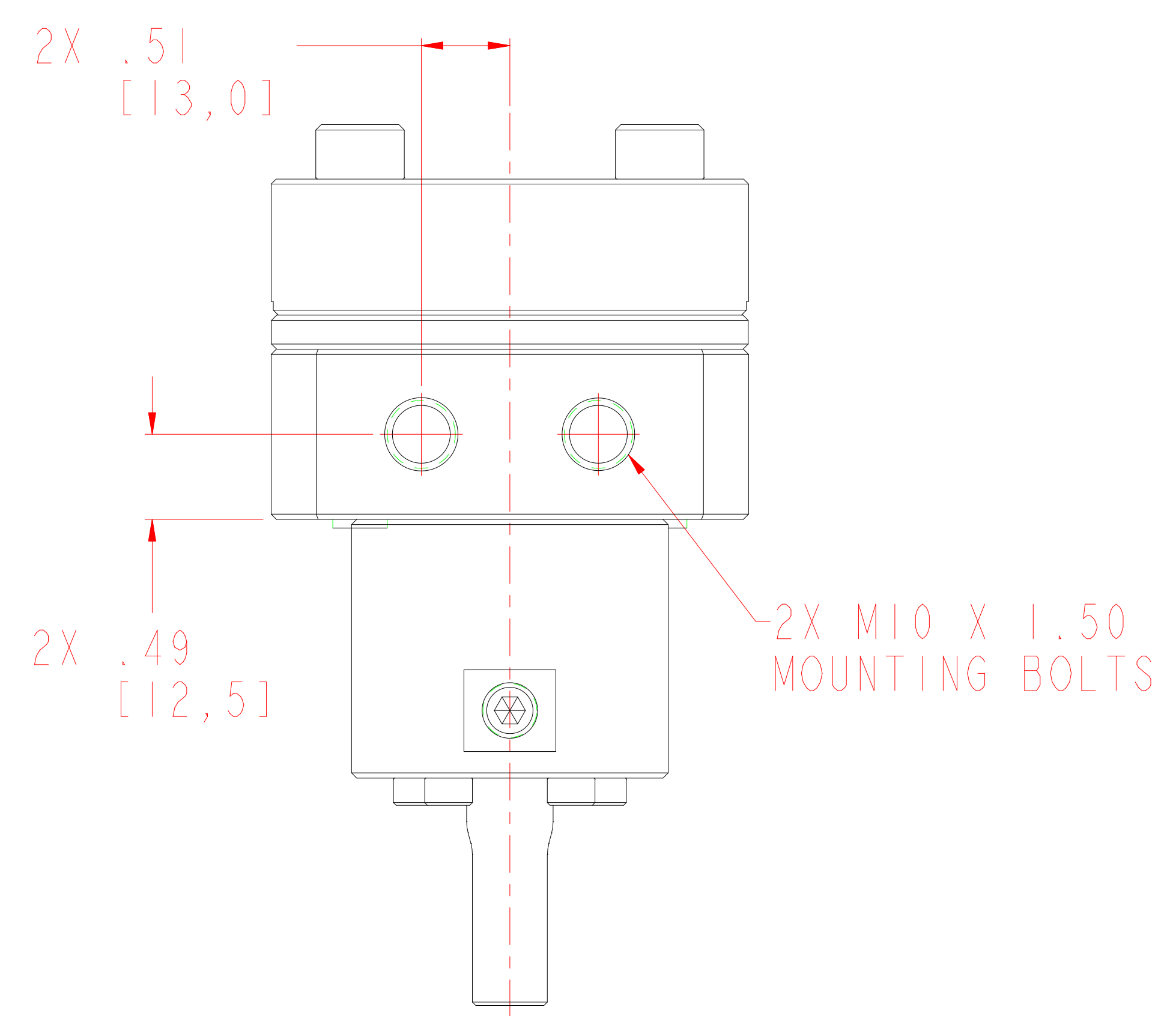
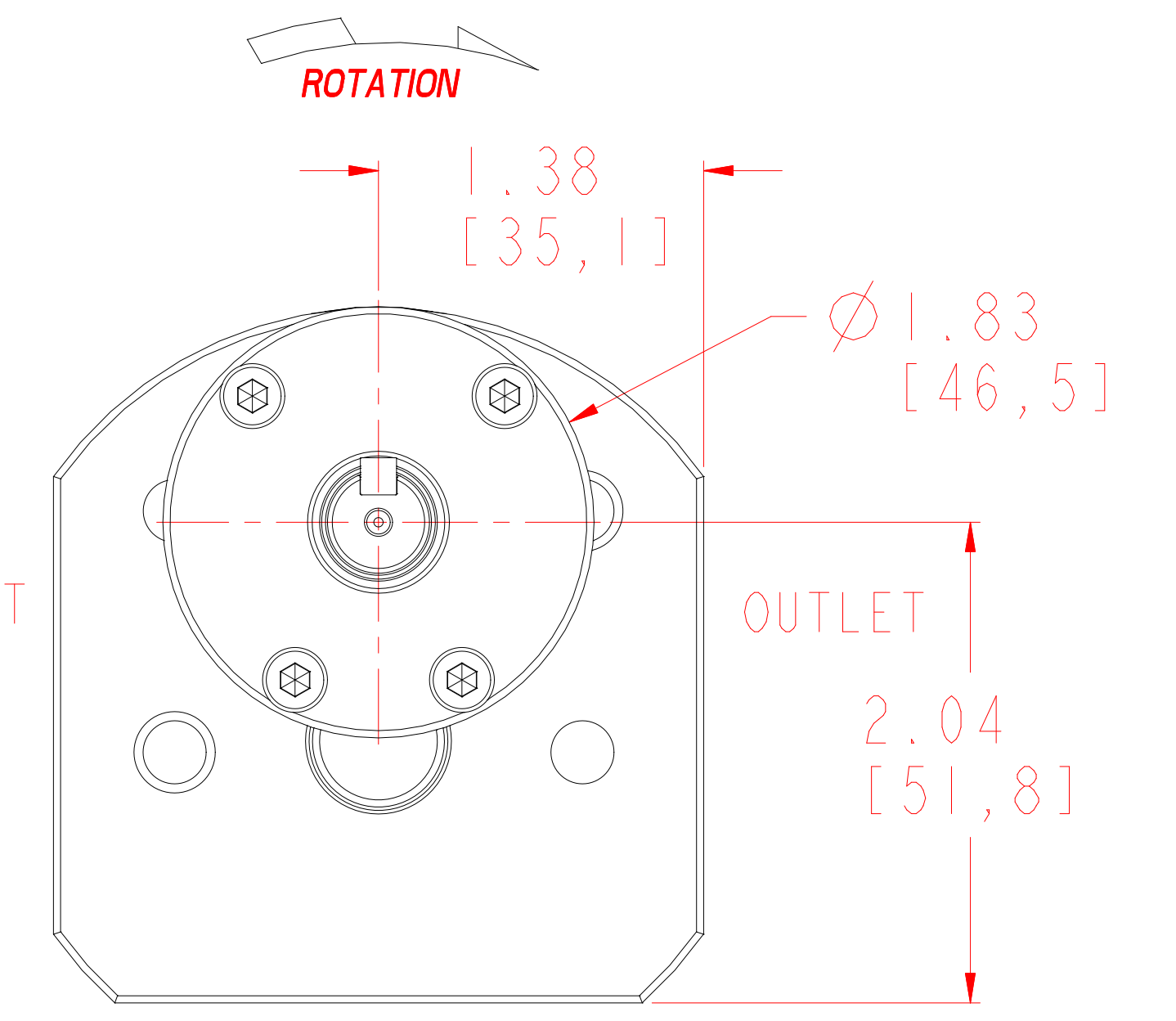
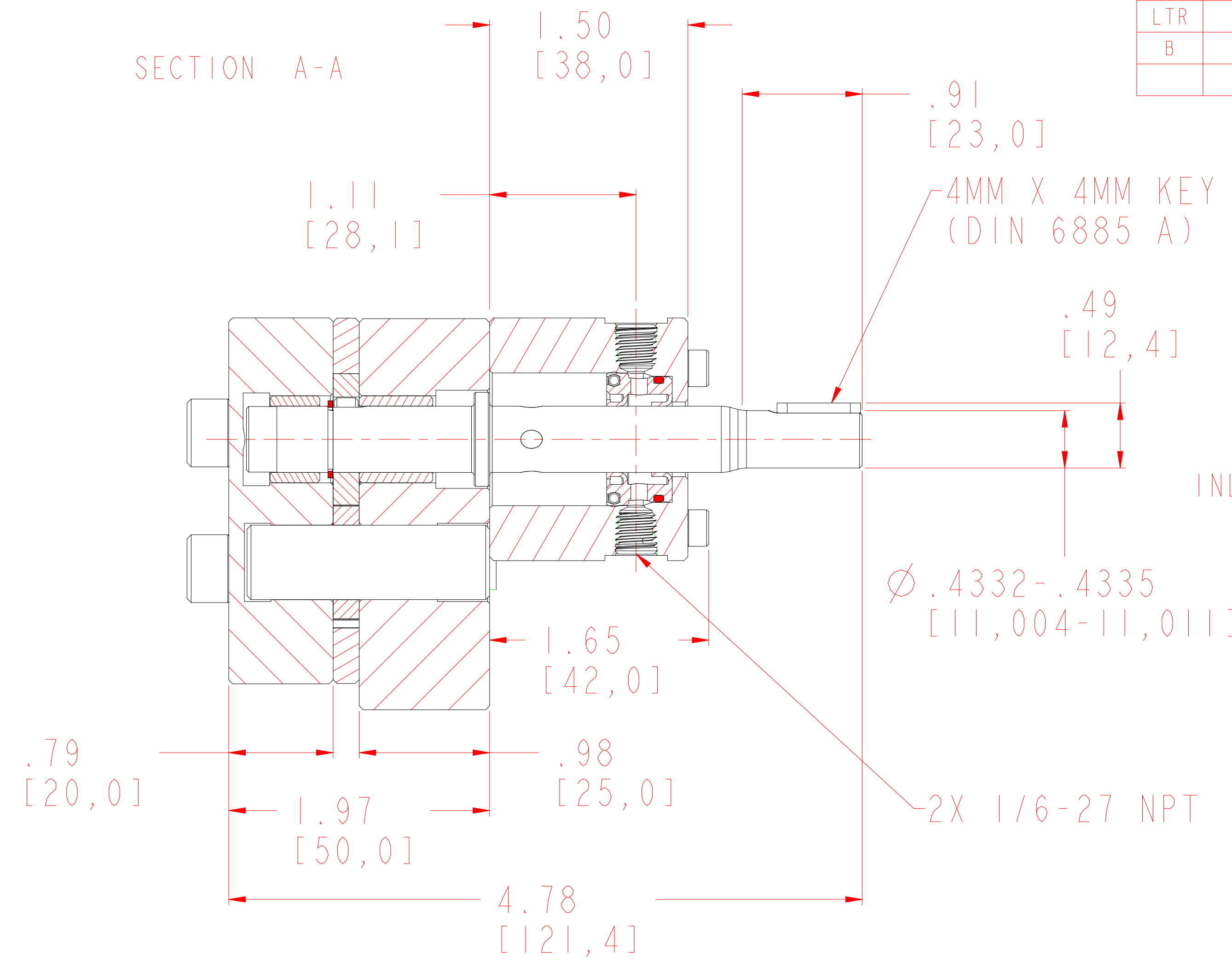
REVISIONS			
LTR	DESCRIPTION	DATE	ECN NO.
B	DOWEL WAS 15-16091-0046-1	9/22/04	321-2004

TORQUE SPECIFICATION FOR M4 SHCS
41 IN-LB (LUBRICATED) OR 31 IN-LB (NON-LUBRICATED)

TORQUE SPECIFICATION FOR M8 SHCS
345 IN-LB (LUBRICATED) OR 262 IN-LB (NON-LUBRICATED)



SECTION A-A



PORTING

THIS DOCUMENT CONTAINS INFORMATION THAT IS CONFIDENTIAL AND PROPRIETARY TO ZENITH PUMPS, COLFAX CORPORATION "COLFAX". THIS DOCUMENT IS FURNISHED ON THE UNDERSTANDING THAT THE DOCUMENT AND THE INFORMATION IT CONTAINS WILL NOT BE COPIED OR DISCLOSED TO OTHERS OR USED FOR ANY PURPOSE OTHER THAN CONDUCTING BUSINESS WITH COLFAX, AND WILL BE RETURNED AND ALL FURTHER USE DISCONTINUED UPON REQUEST BY COLFAX.

UNLESS OTHERWISE SPECIFIED DIMENSIONS ARE IN INCH TOLERANCES
.XX ± 0.01
.XXX ± 0.005
ANG ± 0.5

MATERIAL SEE BILL OF MATERIAL SHEET 2 OF 2

DRAWN LG 7.17.2000
CHECKED
PART WEIGHT = LBS
SURFACE AREA = IN^2
MODEL NUMBER = 119000066000
DRAWING = 119000066000
PRO/ENGINEER DRAWING SIZE D

INTERPRET PER ASME-Y14.5M 1994

ZENITH PUMPS
5910 ELWIN BUCHANAN DRIVE
SANFORD, NC 27330

H-9000 0.6 CC/REV RAN 600
SINGLE STREAM 0.6 CC/REV

SCALE 3:2 SHEET 1 OF 2
DRAWING NUMBER 11-90000-6600-0