

4

3

2

1

REVISIONS			
LTR	DESCRIPTION	DATE	APPROVED

70 TEETH  
16 PITCH  
14 1/2° P.A.

DISCHARGE PORT  
.75 DIA.  
19.1

INTAKE PORT  
1.00 DIA.  
25.4

D

D

C

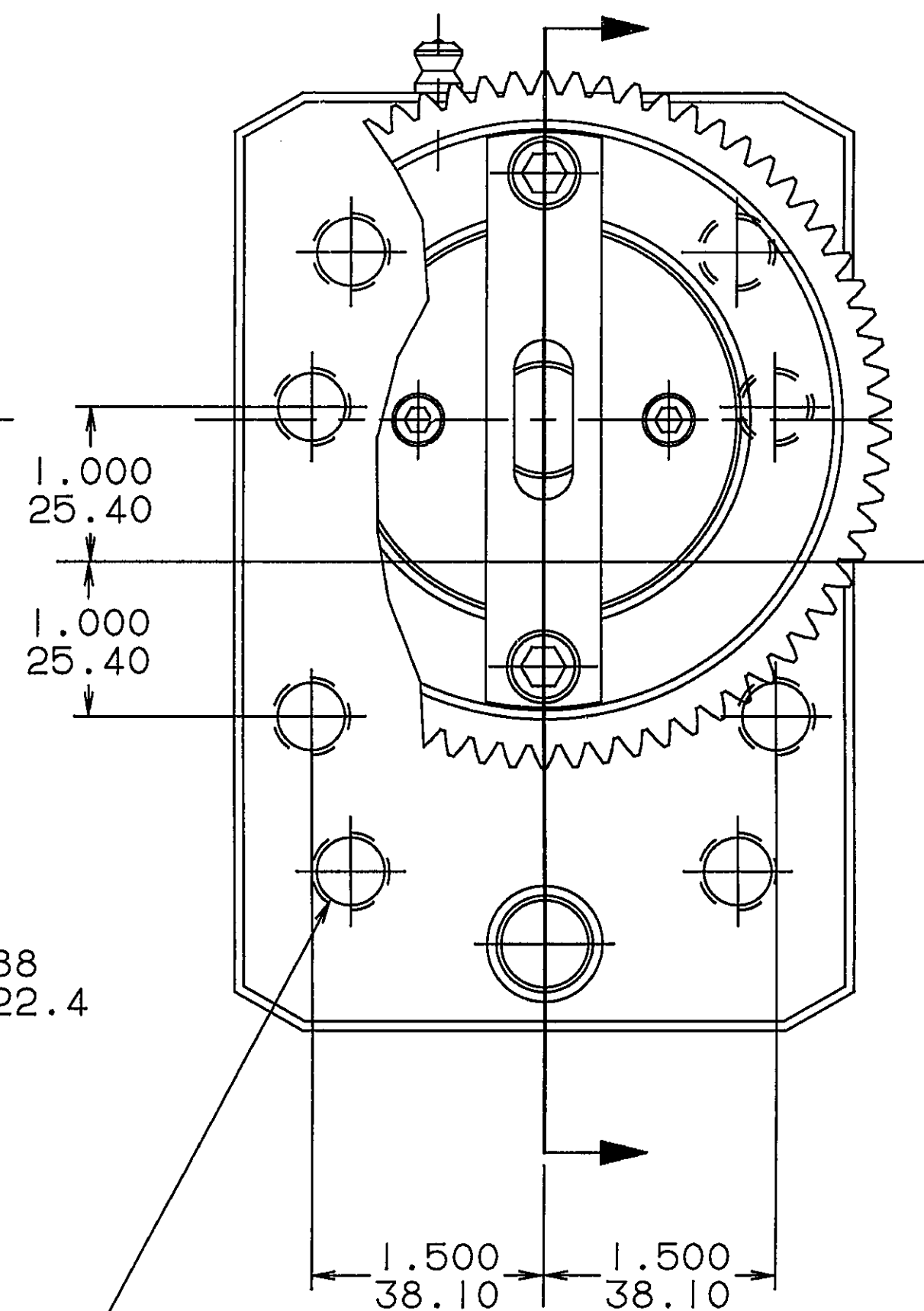
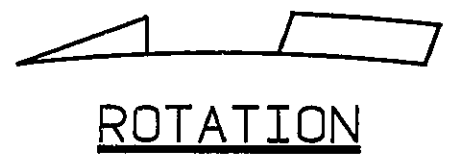
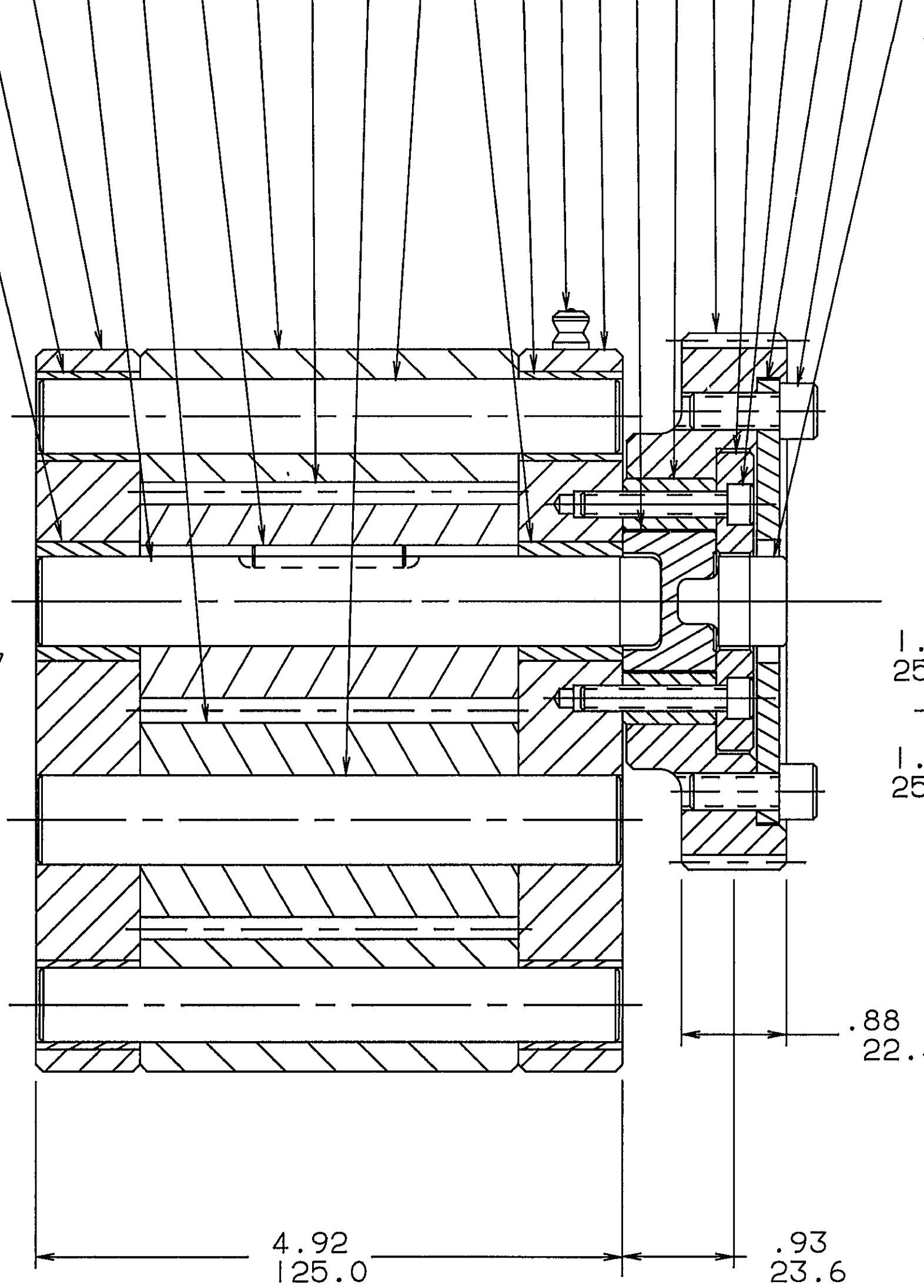
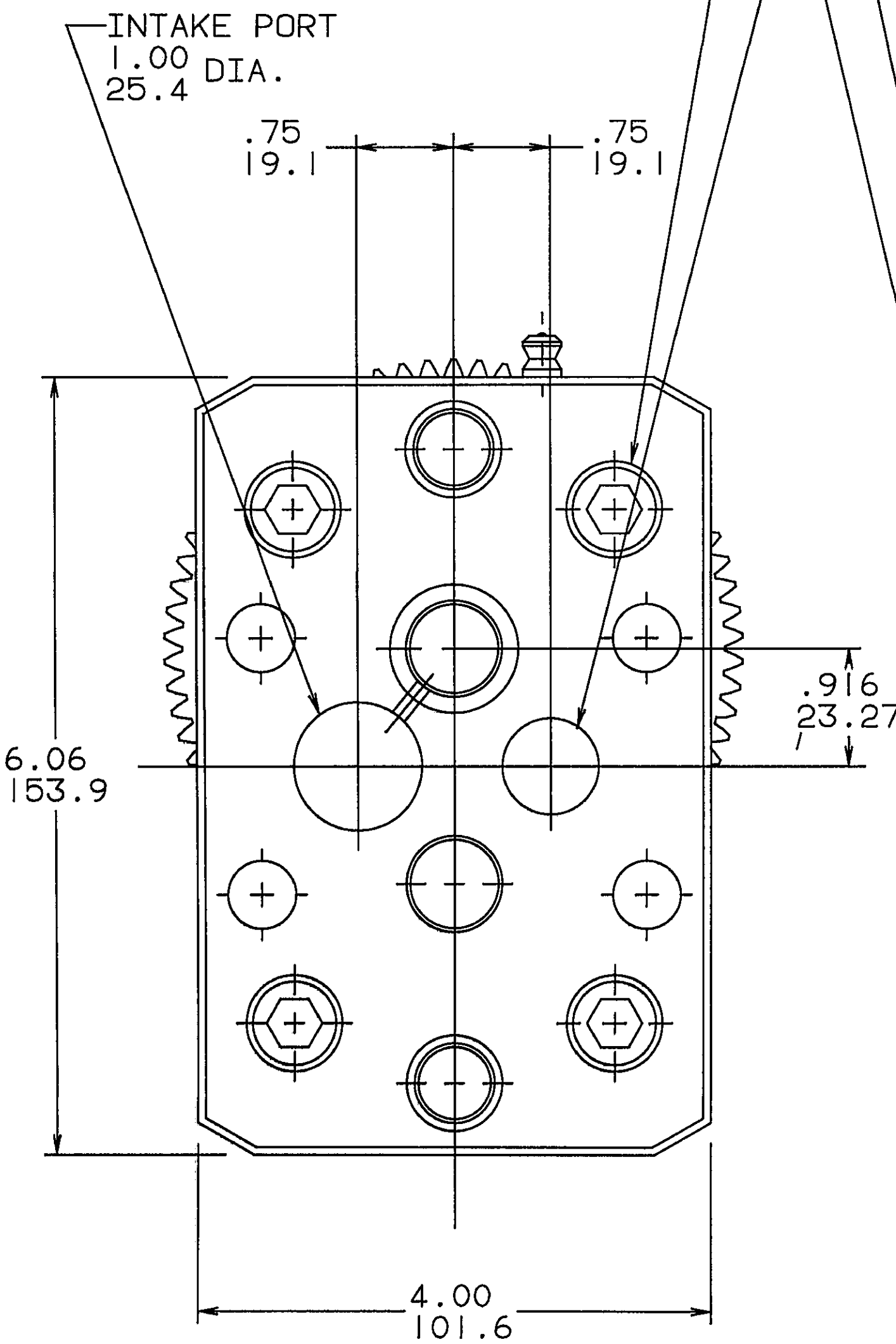
C

B

B

A

A



4 MOUNTING HOLES  
TAPPED 1/2-13 UNC  
IN FRONT SIDE PLATE

DUAL DIMENSIONS: INCH  
MM

DESIGN, SPECIFICATIONS, AND DETAILS CONTAINED ON OR REFERENCED TO ON THIS DRAWING ARE PROPRIETARY TO THE ZENITH DIVISION, AND MAY NOT BE REPRODUCED, MANUFACTURED, OR OTHERWISE USED WITHOUT THE WRITTEN CONSENT OF THE ZENITH DIVISION, PARKER HANNIFIN CORPORATION.

UNLESS OTHERWISE SPECIFIED DIMENSIONS ARE IN INCHES TOLERANCES  
.XX ±  
.XXX ±  
ANG. ±

MATERIAL

DRAWN	RAS 4/4/89
CHECKED	
ENGINEER	
MANUFACTURING	
QUALITY CONTROL	
PURCHASING	
FSCM	
SIZE	C

<b>Parker ZENITH PUMPS DIVISION</b>	
48 WOERD AVE. WALTHAM, MA 02254 PARKER HANNIFIN CORPORATION	
TYPE BLB-4714-100-00	
SCALE	FULL
SHEET	OF
DRAWING NO. 30C-16451	