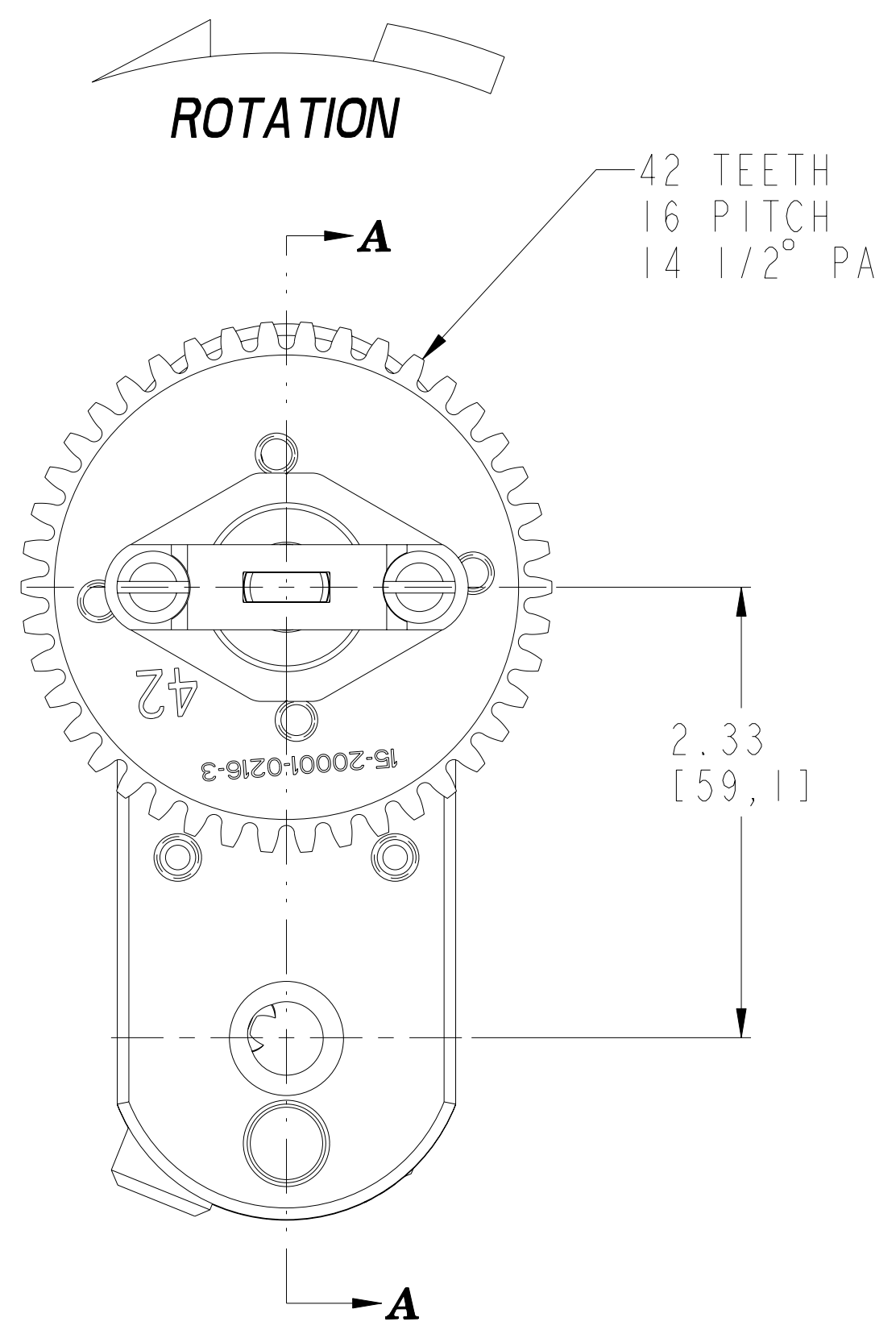
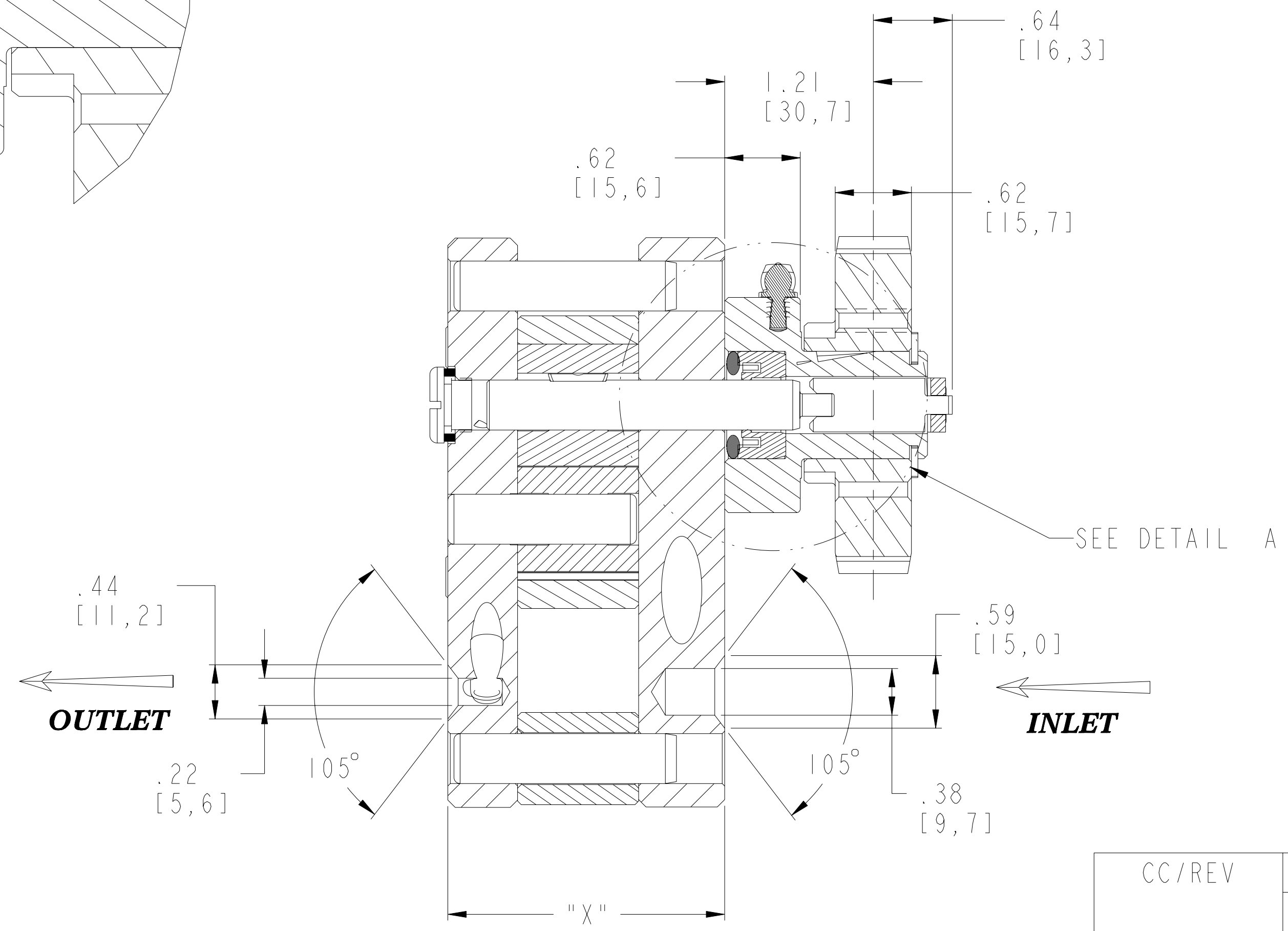
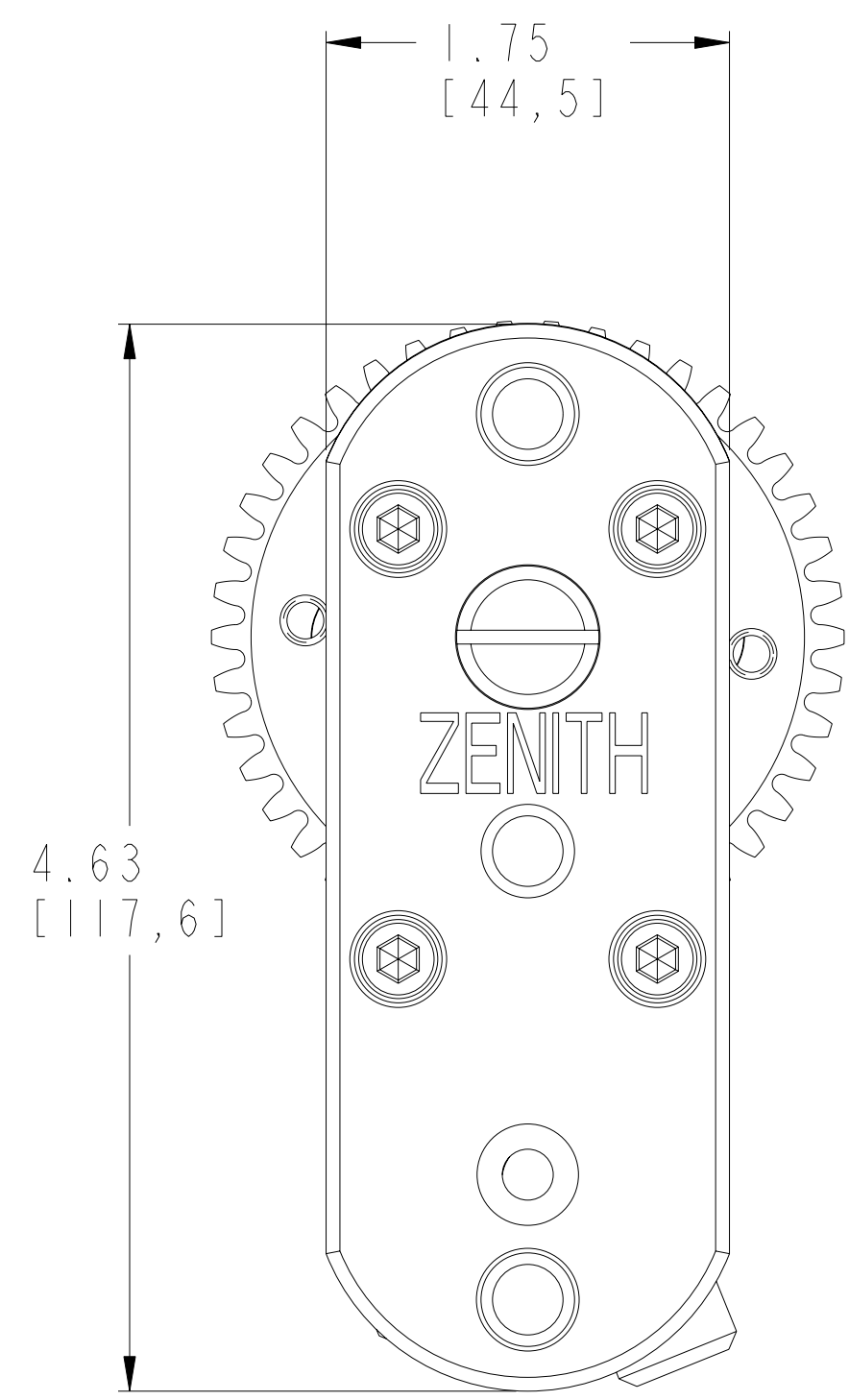
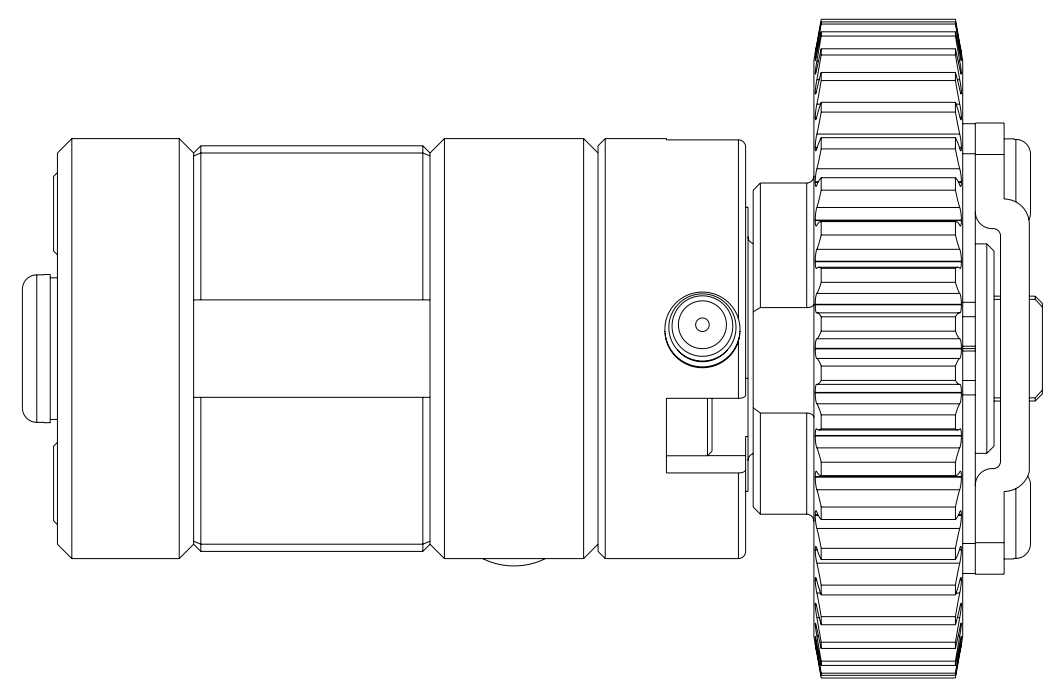
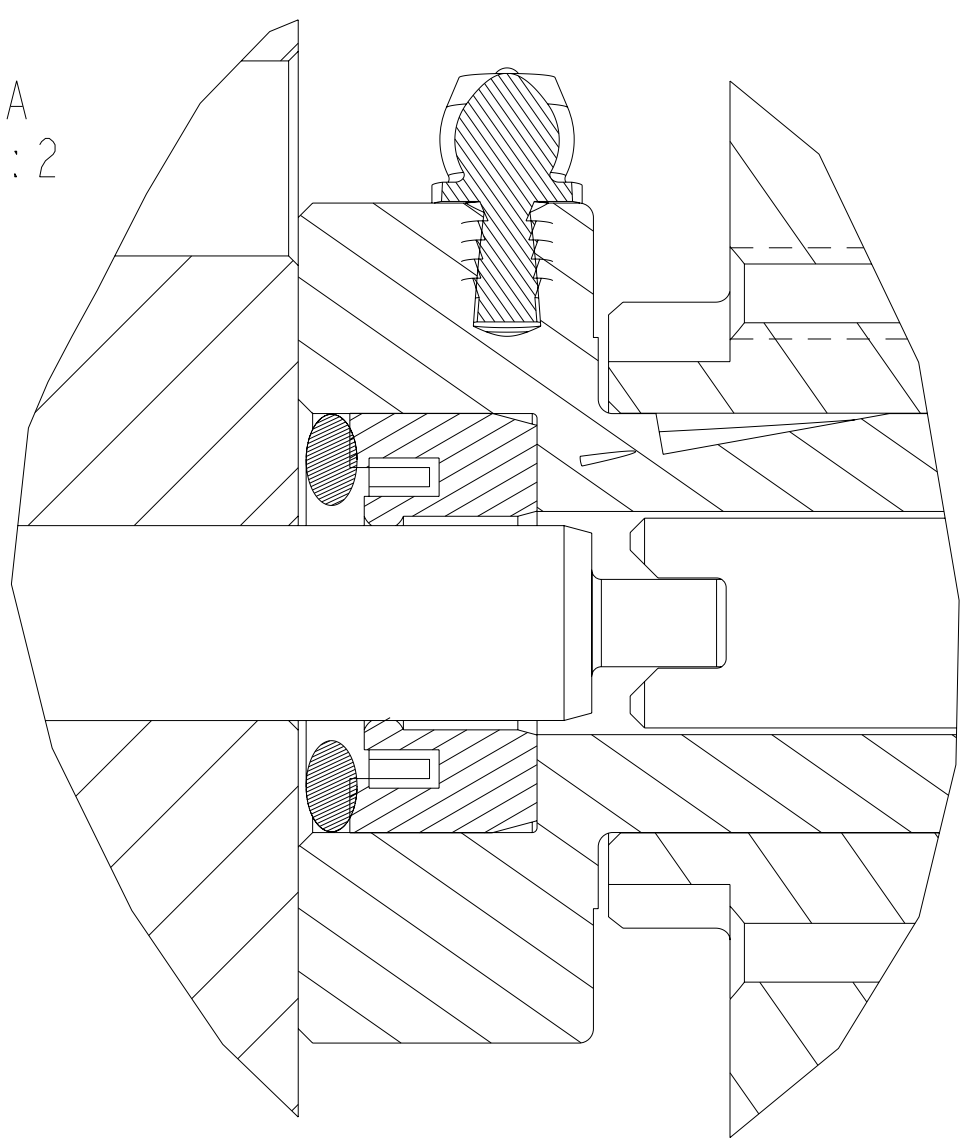


REVISIONS			
LTR	DESCRIPTION	DATE	ECN NO.
H	ADD NOTE & REDRAWN TO PRO-E	12/4/06	224-2006

DETAIL A
SCALE 5:2



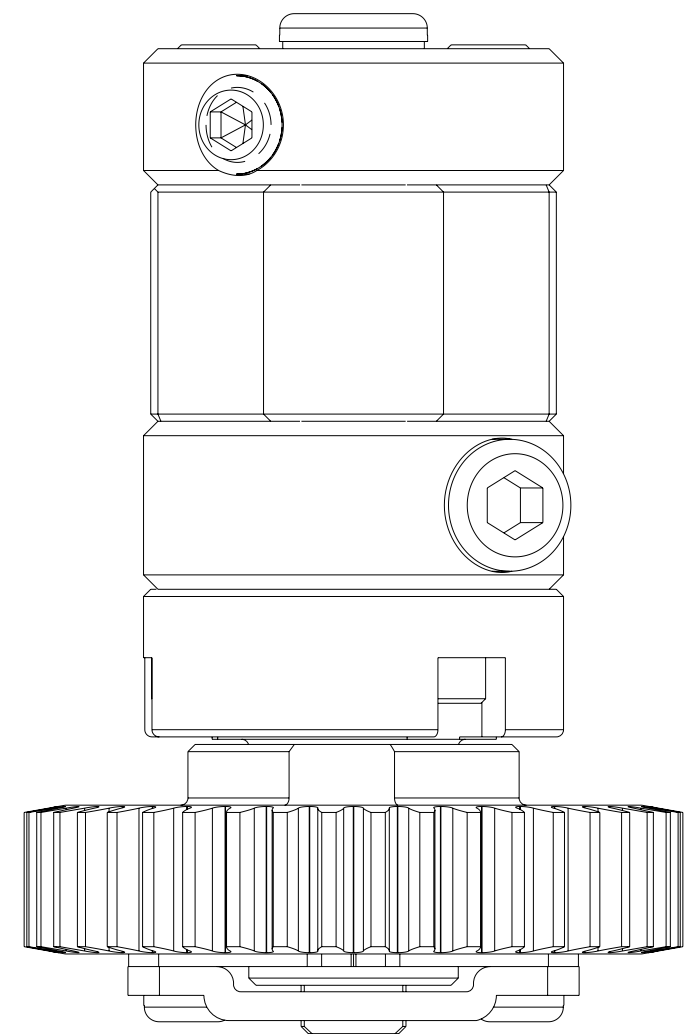
CC/REV	"X" DIM	
	INCHES	MM
.160	1.37	34.8
.297	1.37	34.8
.584	1.47	37.3
1.168	1.66	42.2
1.752	1.86	47.2
2.920	2.26	57.4


NOTES!
FOR PUMPS WITH THE SAME "X" DIMS
THERE IS A NOTCH IN THE SIDE OF THE
GEAR PLATE TO IDENTIFY CAPACITY
1 NOTCH = .160 CC/REV
0 NOTCH = .292 CC/REV
SHAFT TORQUE SPEC = 8 oz.-in.

SECTION A-A

DUAL DIMENSIONS: $\frac{INCH}{MM}$

INTERPRET PER ASME-Y14.5M 1994

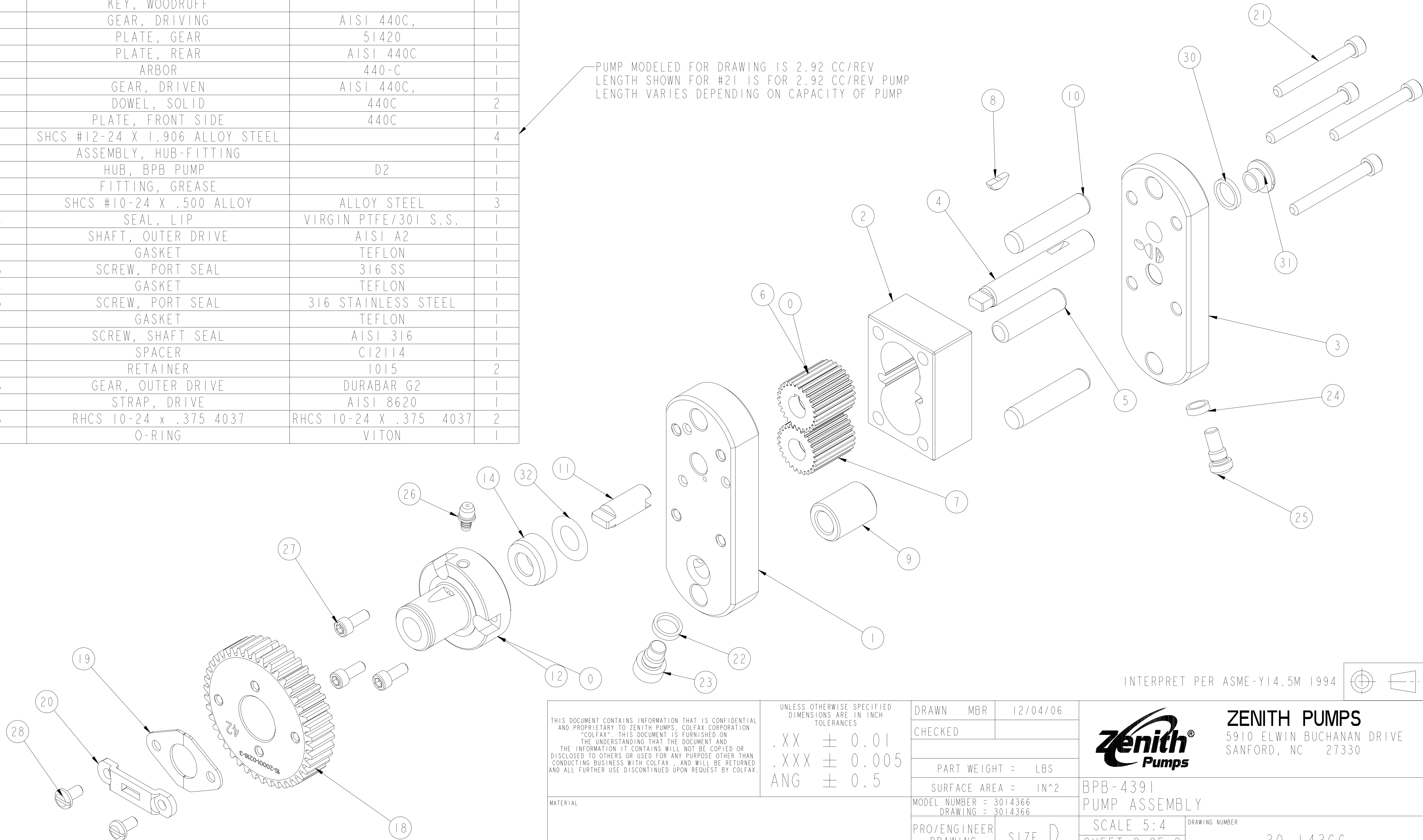


<p>THIS DOCUMENT CONTAINS INFORMATION THAT IS CONFIDENTIAL AND PROPRIETARY TO ZENITH PUMPS, COLFAX CORPORATION "COLFAX". THIS DOCUMENT IS FURNISHED ON THE UNDERSTANDING THAT THE DOCUMENT AND THE INFORMATION IT CONTAINS WILL NOT BE COPIED OR DISCLOSED TO OTHERS OR USED FOR ANY PURPOSE OTHER THAN CONDUCTING BUSINESS WITH COLFAX, AND WILL BE RETURNED AND ALL FURTHER USE DISCONTINUED UPON REQUEST BY COLFAX.</p>	<p>UNLESS OTHERWISE SPECIFIED DIMENSIONS ARE IN INCH TOLERANCES</p> <p>.XX ± 0.01 .XXX ± 0.005 ANG ± 0.5</p>	DRAWN	MBR	12/04/06	 <p>ZENITH PUMPS 5910 ELWIN BUCHANAN DRIVE SANFORD, NC 27330</p>
		CHECKED			
MATERIAL		PRO/ENGINEER	DRAWING	SIZE D	<p>MODEL NUMBER = 3014366 DRAWING = 3014366</p> <p>BPB-4391 PUMP ASSEMBLY</p> <p>SCALE 5:4 SHEET 1 OF 2</p> <p>DRAWING NUMBER 30-14366</p>

ITEM No.	PART NAME	MATERIAL	QTY
	BPB-4391		1
6	ASSEMBLY, GEAR/SHAFT/KEY		1
4	SHAFT, DRIVE	440C	1
8	KEY, WOODRUFF		1
0	GEAR, DRIVING	AISI 440C,	1
2	PLATE, GEAR	51420	1
3	PLATE, REAR	AISI 440C	1
5	ARBOR	440-C	1
7	GEAR, DRIVEN	AISI 440C,	1
10	DOWEL, SOLID	440C	2
1	PLATE, FRONT SIDE	440C	1
21	SHCS #12-24 X 1.906 ALLOY STEEL		4
12	ASSEMBLY, HUB-FITTING		1
0	HUB, BPB PUMP	D2	1
26	FITTING, GREASE		1
27	SHCS #10-24 X .500 ALLOY	ALLOY STEEL	3
14	SEAL, LIP	VIRGIN PTFE/301 S.S.	1
11	SHAFT, OUTER DRIVE	AISI A2	1
22	GASKET	TEFLON	1
23	SCREW, PORT SEAL	316 SS	1
24	GASKET	TEFLON	1
25	SCREW, PORT SEAL	316 STAINLESS STEEL	1
30	GASKET	TEFLON	1
31	SCREW, SHAFT SEAL	AISI 316	1
9	SPACER	CI2114	1
19	RETAINER	1015	2
18	GEAR, OUTER DRIVE	DURABAR G2	1
20	STRAP, DRIVE	AISI 8620	1
28	RHCS 10-24 x .375 4037	RHCS 10-24 X .375 4037	2
32	O-RING	VITON	1

REVISIONS			
LTR	DESCRIPTION	DATE	ECN NO.
H	ADD NOTE & REDRAWN TO PRO-E	12/4/06	224-2006

PUMP MODELED FOR DRAWING IS 2.92 CC/REV
 LENGTH SHOWN FOR #21 IS FOR 2.92 CC/REV PUMP
 LENGTH VARIES DEPENDING ON CAPACITY OF PUMP



INTERPRET PER ASME-Y14.5M 1994

THIS DOCUMENT CONTAINS INFORMATION THAT IS CONFIDENTIAL AND PROPRIETARY TO ZENITH PUMPS, COLFAX CORPORATION "COLFAX". THIS DOCUMENT IS FURNISHED ON THE UNDERSTANDING THAT THE DOCUMENT AND THE INFORMATION IT CONTAINS WILL NOT BE COPIED OR DISCLOSED TO OTHERS OR USED FOR ANY PURPOSE OTHER THAN CONDUCTING BUSINESS WITH COLFAX, AND WILL BE RETURNED AND ALL FURTHER USE DISCONTINUED UPON REQUEST BY COLFAX.	UNLESS OTHERWISE SPECIFIED DIMENSIONS ARE IN INCH TOLERANCES .XX ± 0.01 .XXX ± 0.005 ANG ± 0.5	DRAWN MBR 12/04/06 CHECKED	ZENITH PUMPS 5910 ELWIN BUCHANAN DRIVE SANFORD, NC 27330
	MATERIAL	PART WEIGHT = LBS SURFACE AREA = IN^2 MODEL NUMBER = 3014366 DRAWING = 3014366	
		PRO/ENGINEER DRAWING SIZE D	DRAWING NUMBER 30-14366