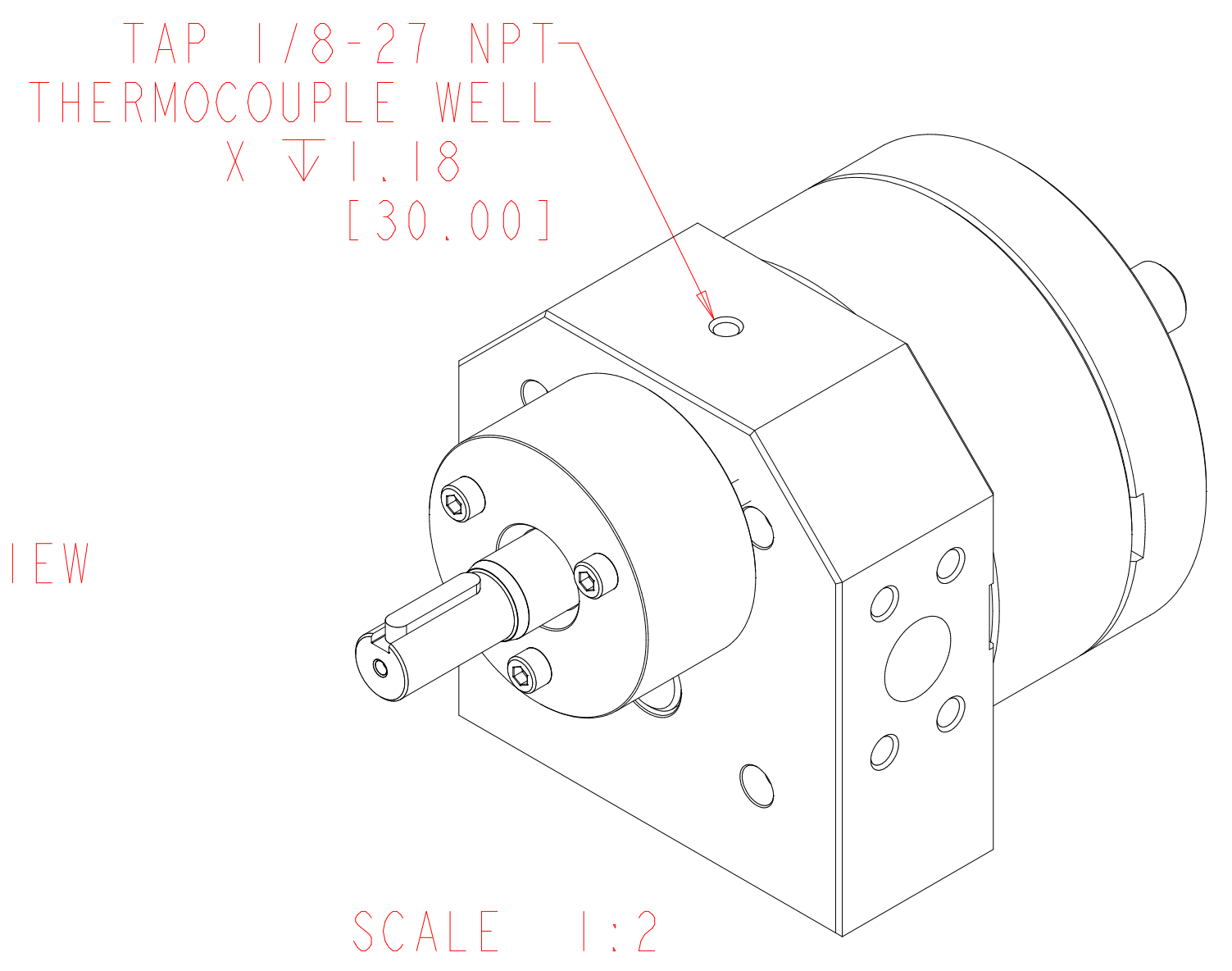
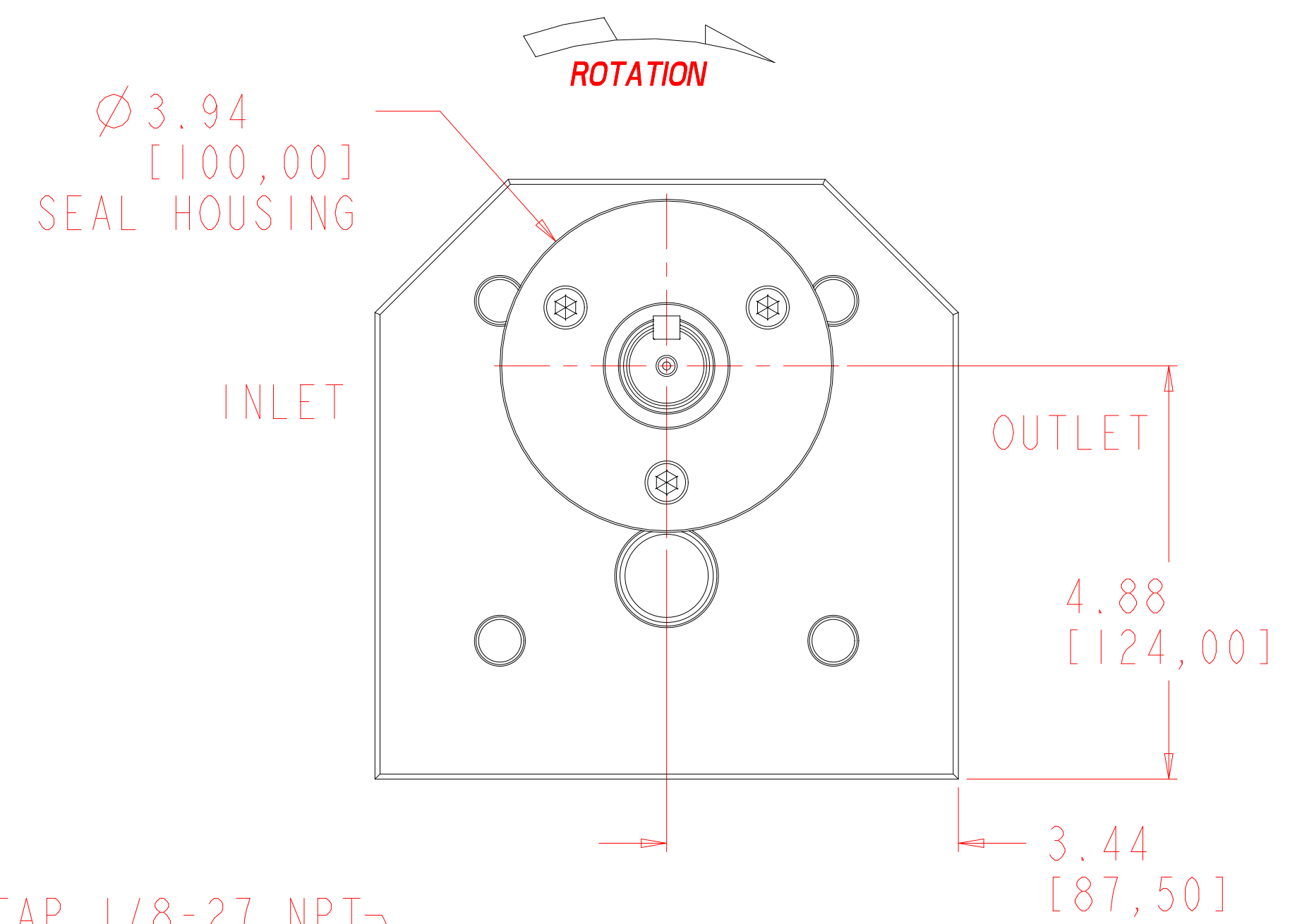
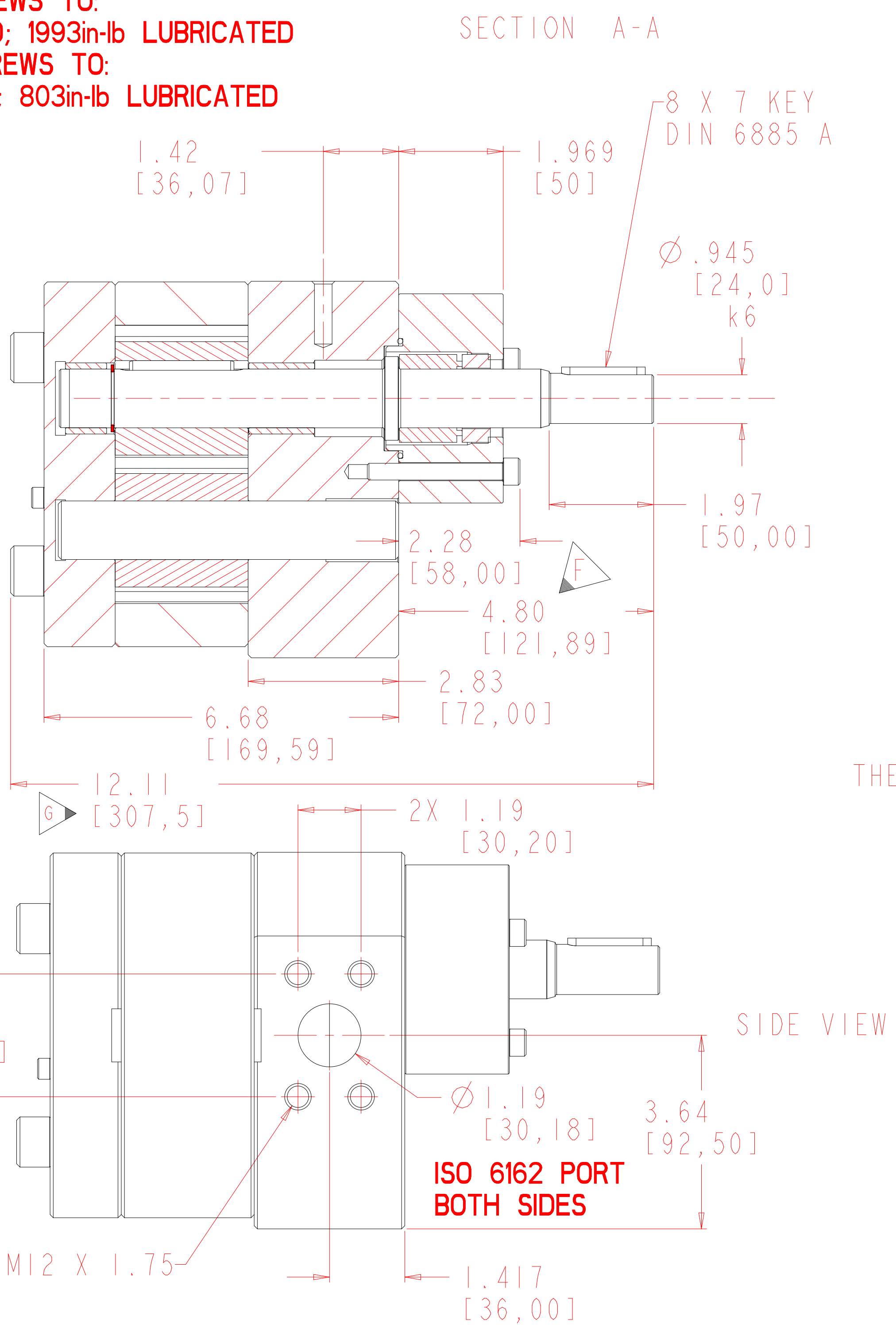
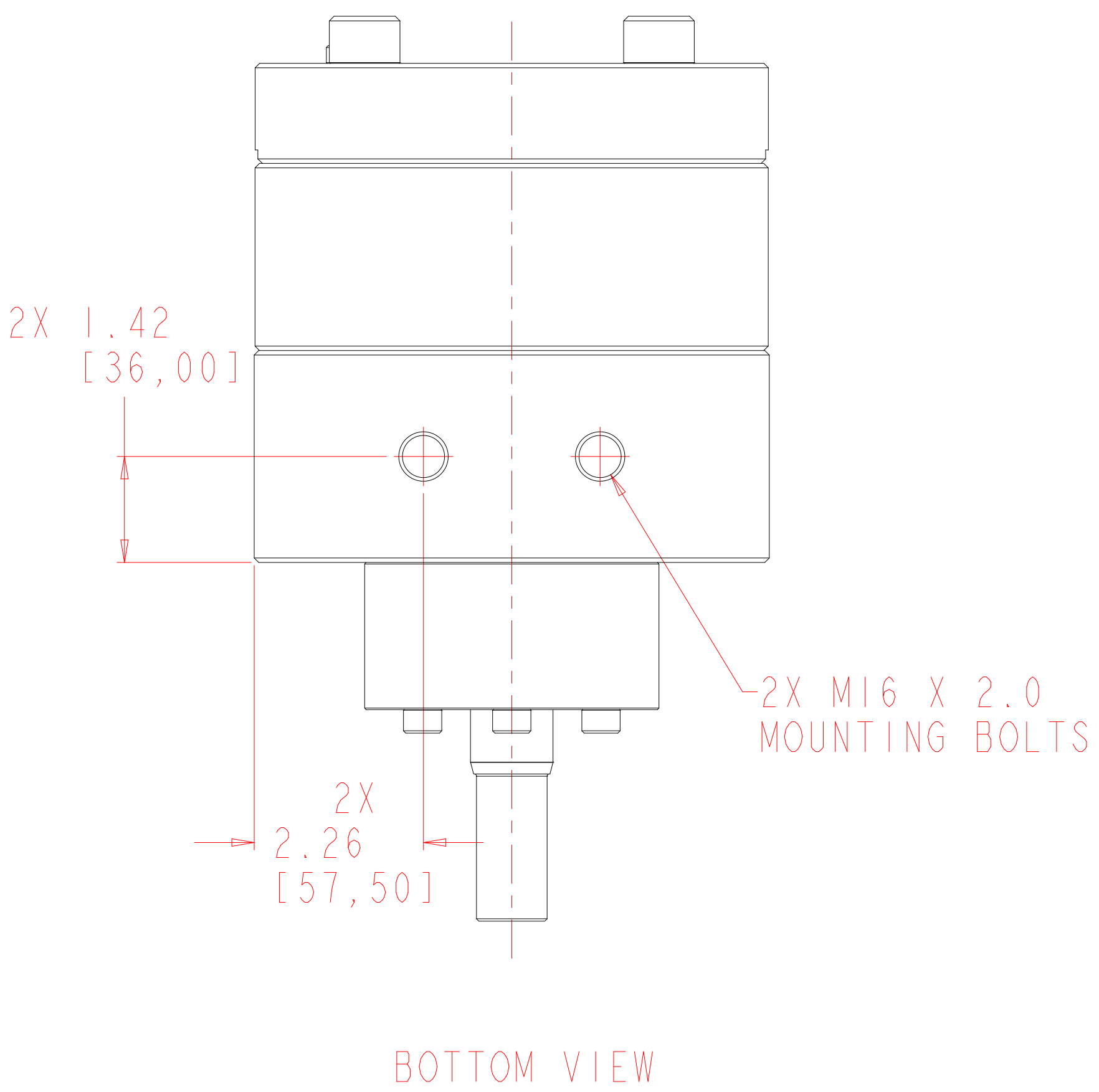
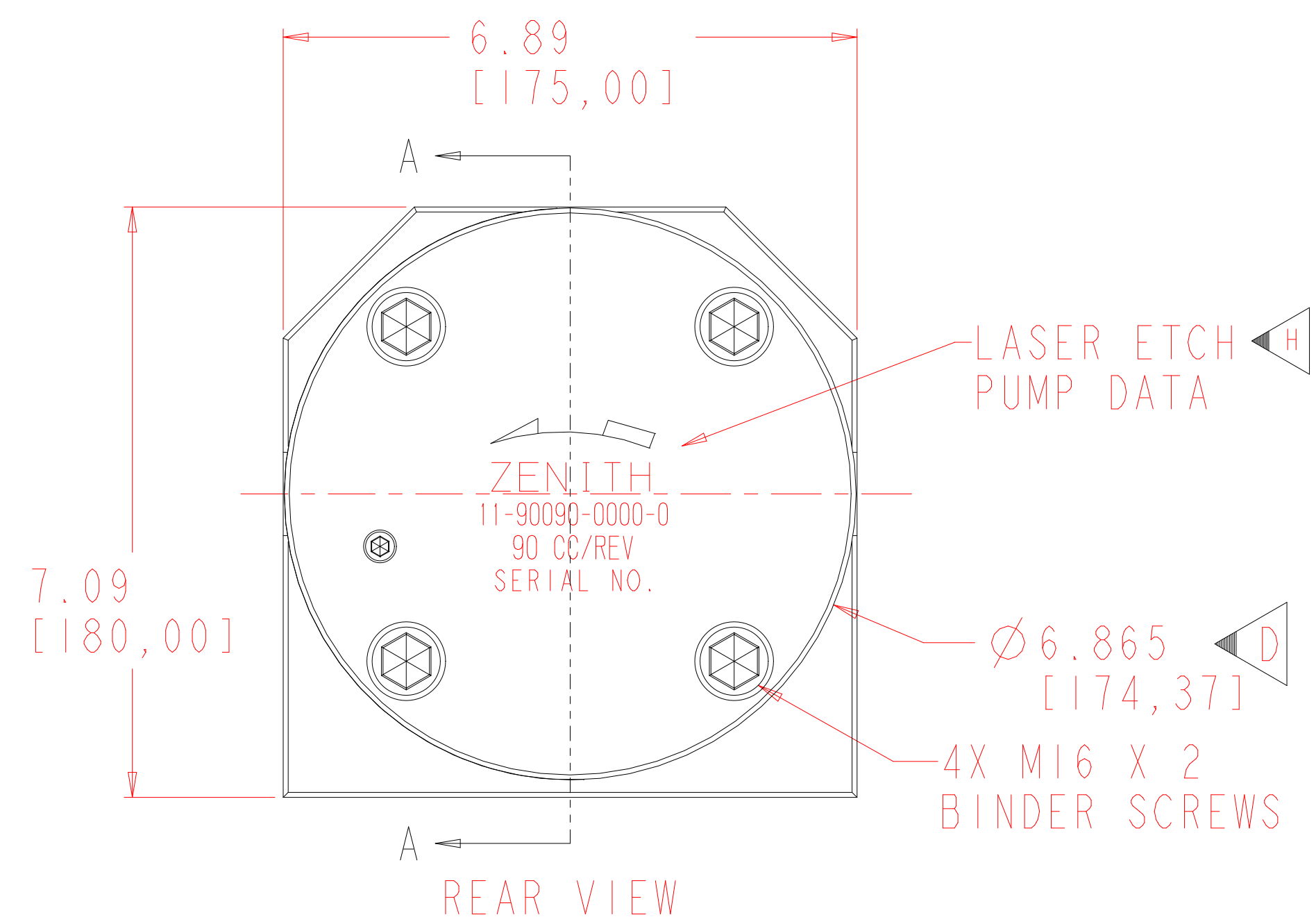
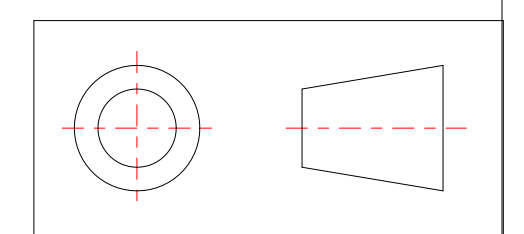


- NOTES:**
- 1) TIGHTEN M8 SEAL HOUSING BOLTS TO:
350in-lb NON-LUBRICATED; 232in-lb LUBRICATED
 - 2) TIGHTEN M16 BINDER SCREWS TO:
2900in-lb NON-LUBRICATED; 1993in-lb LUBRICATED
 - 3) TIGHTEN M12 FLANGE SCREWS TO:
1200in-lb NON-LUBRICATED; 803in-lb LUBRICATED

REVISIONS			
LTR	DESCRIPTION	DATE	APPROVED
G	12.11 [307,5] WAS 13.71 [348,29]	02-11-98	080-98
H	UPDATED SERIES 9000 PUMP DATA	05-26-98	620-97
I	35 X 25 CLR WAS 30 X 15 CLR	07-27-98	380-98



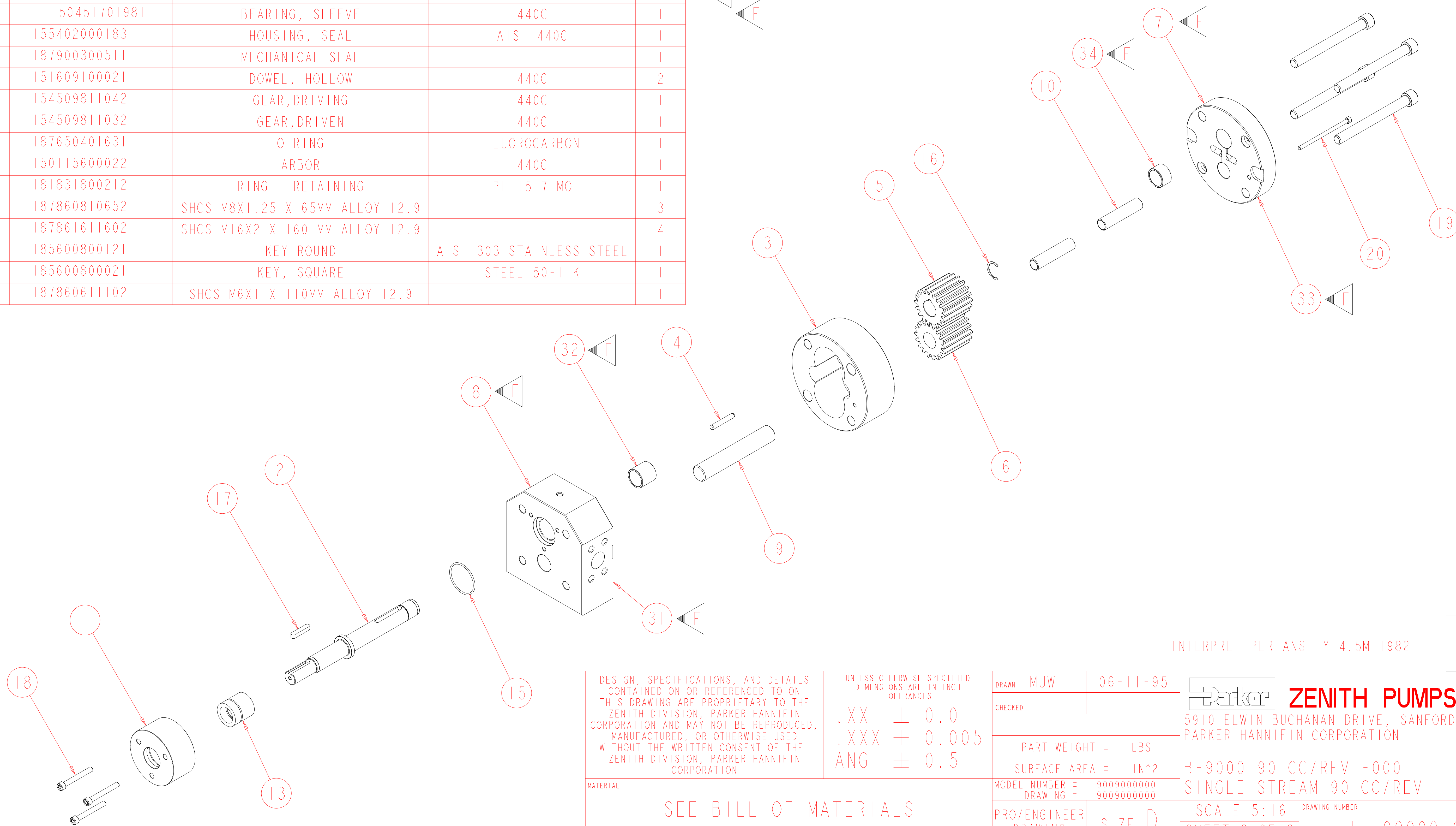
INTERPRET PER ANSI-Y14.5M 1982



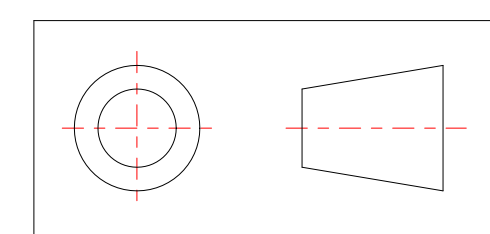
DESIGN, SPECIFICATIONS, AND DETAILS CONTAINED ON OR REFERENCED TO ON THIS DRAWING ARE PROPRIETARY TO THE ZENITH DIVISION, PARKER HANNIFIN CORPORATION AND MAY NOT BE REPRODUCED, MANUFACTURED, OR OTHERWISE USED WITHOUT THE WRITTEN CONSENT OF THE ZENITH DIVISION, PARKER HANNIFIN CORPORATION	UNLESS OTHERWISE SPECIFIED DIMENSIONS ARE IN INCH TOLERANCES .XX ± 0.01 .XXX ± 0.005 ANG ± 0.5	DRAWN MJW 06-11-95	ZENITH PUMPS DIVISION 5910 ELWIN BUCHANAN DRIVE, SANFORD, NC 27330 PARKER HANNIFIN CORPORATION
		CHECKED	
MATERIAL SEE BILL OF MATERIALS	PART WEIGHT = LBS	MODEL NUMBER = 119009000000 DRAWING = 119009000000	B-9000 90 CC/REV -000 SINGLE STREAM 90 CC/REV
	SURFACE AREA = IN^2	PRO/ENGINEER DRAWING	SCALE 5:8 SHEET 1 OF 2
	SIZE D	DRAWING NUMBER 11-90090-0000-0	

ITEM No.	PART NUMBER	PART NAME	MATERIAL	QTY
	119009000000	B-9000 90 CC/REV -000	SEE BILL OF MATERIALS	1
2	157956800283	SHAFT, DRIVE	440C W/TDC	1
3	156925100294	PLATE, GEAR	440C	1
7	146915100072	ASSEMBLY, REAR PLATE		1
33	156915100234	PLATE, REAR	440C	1
34	150451701961	BEARING, SLEEVE	440C	1
8	146945200072	ASSEMBLY, FRONT PLATE		1
31	156945200234	PLATE, FRONT	51420	1
32	150451701981	BEARING, SLEEVE	440C	1
11	155402000183	HOUSING, SEAL	AISI 440C	1
13	187900300511	MECHANICAL SEAL		1
10	151609100021	DOWEL, HOLLOW	440C	2
5	154509811042	GEAR, DRIVING	440C	1
6	154509811032	GEAR, DRIVEN	440C	1
15	187650401631	O-RING	FLUOROCARBON	1
9	150115600022	ARBOR	440C	1
16	181831800212	RING - RETAINING	PH 15-7 MO	1
18	187860810652	SHCS M8X1.25 X 65MM ALLOY 12.9		3
19	187861611602	SHCS M16X2 X 160 MM ALLOY 12.9		4
4	185600800121	KEY ROUND	AISI 303 STAINLESS STEEL	1
17	185600800021	KEY, SQUARE	STEEL 50-1 K	1
20	187860611102	SHCS M6X1 X 110MM ALLOY 12.9		1

REVISIONS			
LTR	DESCRIPTION	DATE	APPROVED
G	12.11 [307,5] WAS 13.71 [348,29]	02-11-98	080-98
H	UPDATED SERIES 9000 PUMP DATA	05-26-98	620-97
I	35 X 25 CLR WAS 30 X 15 CLR	07-27-98	380-98



INTERPRET PER ANSI-Y14.5M 1982



DESIGN, SPECIFICATIONS, AND DETAILS CONTAINED ON OR REFERENCED TO ON THIS DRAWING ARE PROPRIETARY TO THE ZENITH DIVISION, PARKER HANNIFIN CORPORATION AND MAY NOT BE REPRODUCED, MANUFACTURED, OR OTHERWISE USED WITHOUT THE WRITTEN CONSENT OF THE ZENITH DIVISION, PARKER HANNIFIN CORPORATION	UNLESS OTHERWISE SPECIFIED DIMENSIONS ARE IN INCH TOLERANCES .XX ± 0.01 .XXX ± 0.005 ANG ± 0.5	DRAWN MJW 06-11-95	ZENITH PUMPS DIVISION 5910 ELWIN BUCHANAN DRIVE, SANFORD, NC 27330 PARKER HANNIFIN CORPORATION
		CHECKED	
MATERIAL SEE BILL OF MATERIALS	PART WEIGHT = LBS	B-9000 90 CC/REV -000 SINGLE STREAM 90 CC/REV	
	SURFACE AREA = IN^2	MODEL NUMBER = 119009000000 DRAWING = 119009000000	SCALE 5:16 SHEET 2 OF 2
	PRO/ENGINEER DRAWING	SIZE D	DRAWING NUMBER 11-90090-0000-0