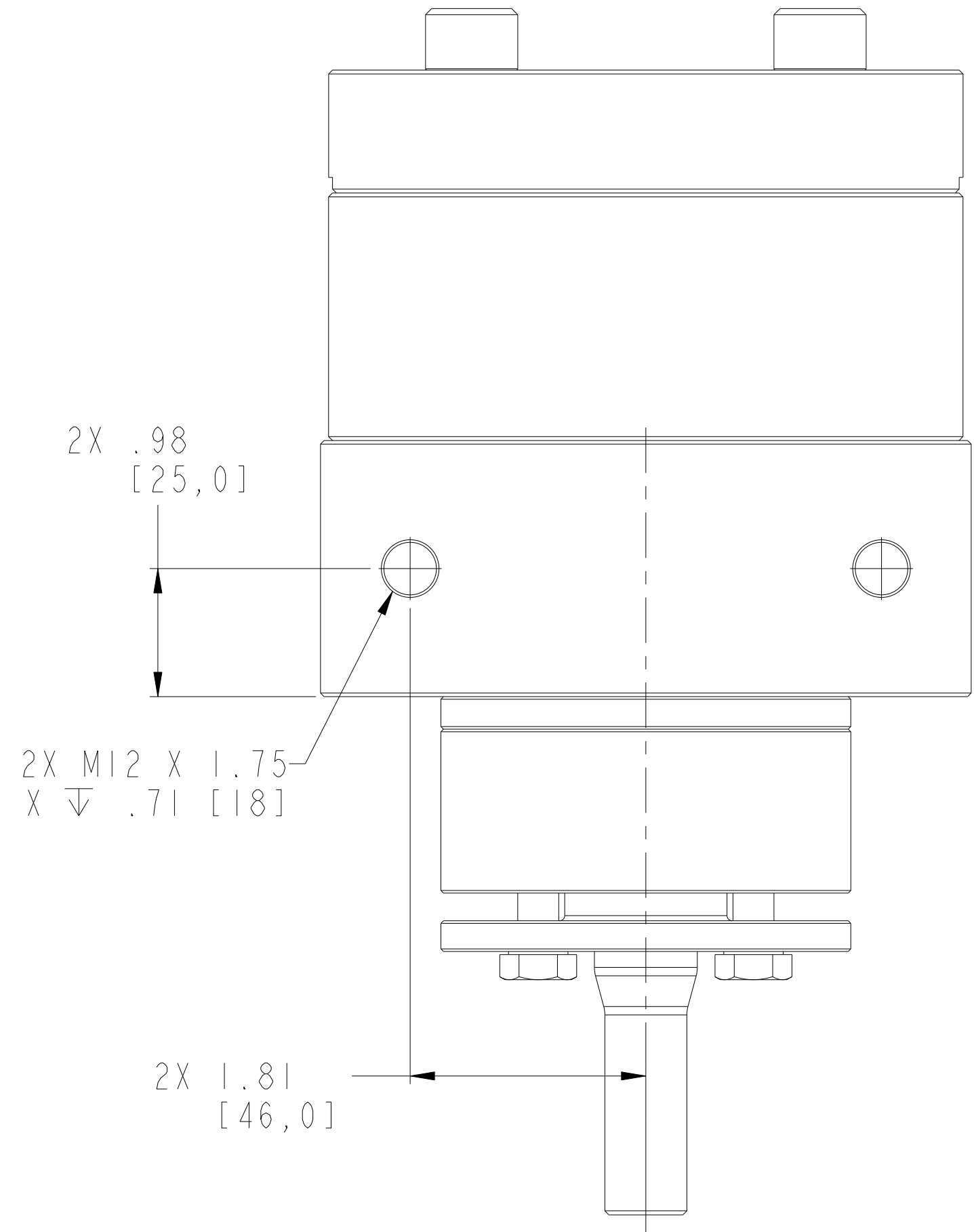
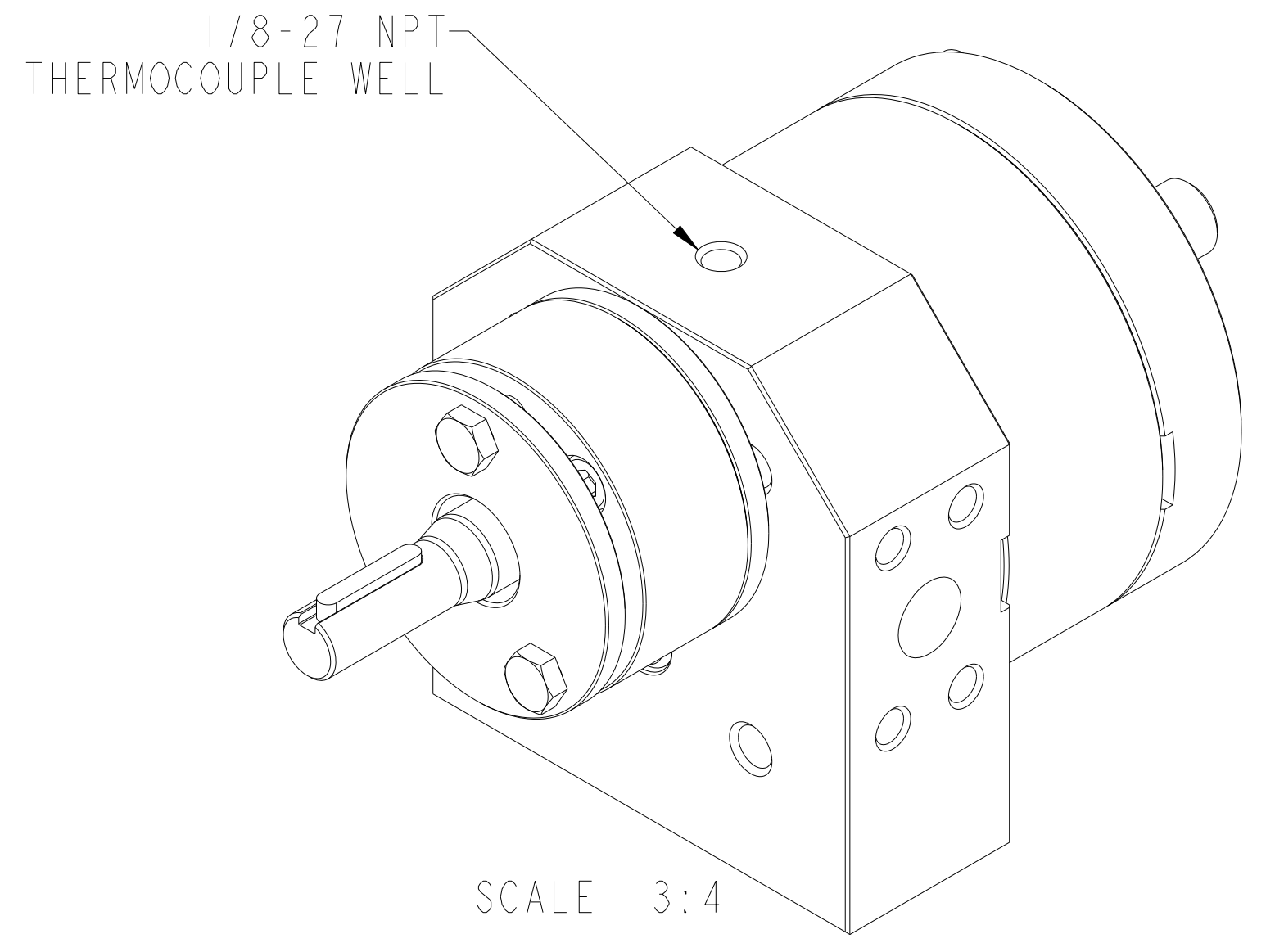
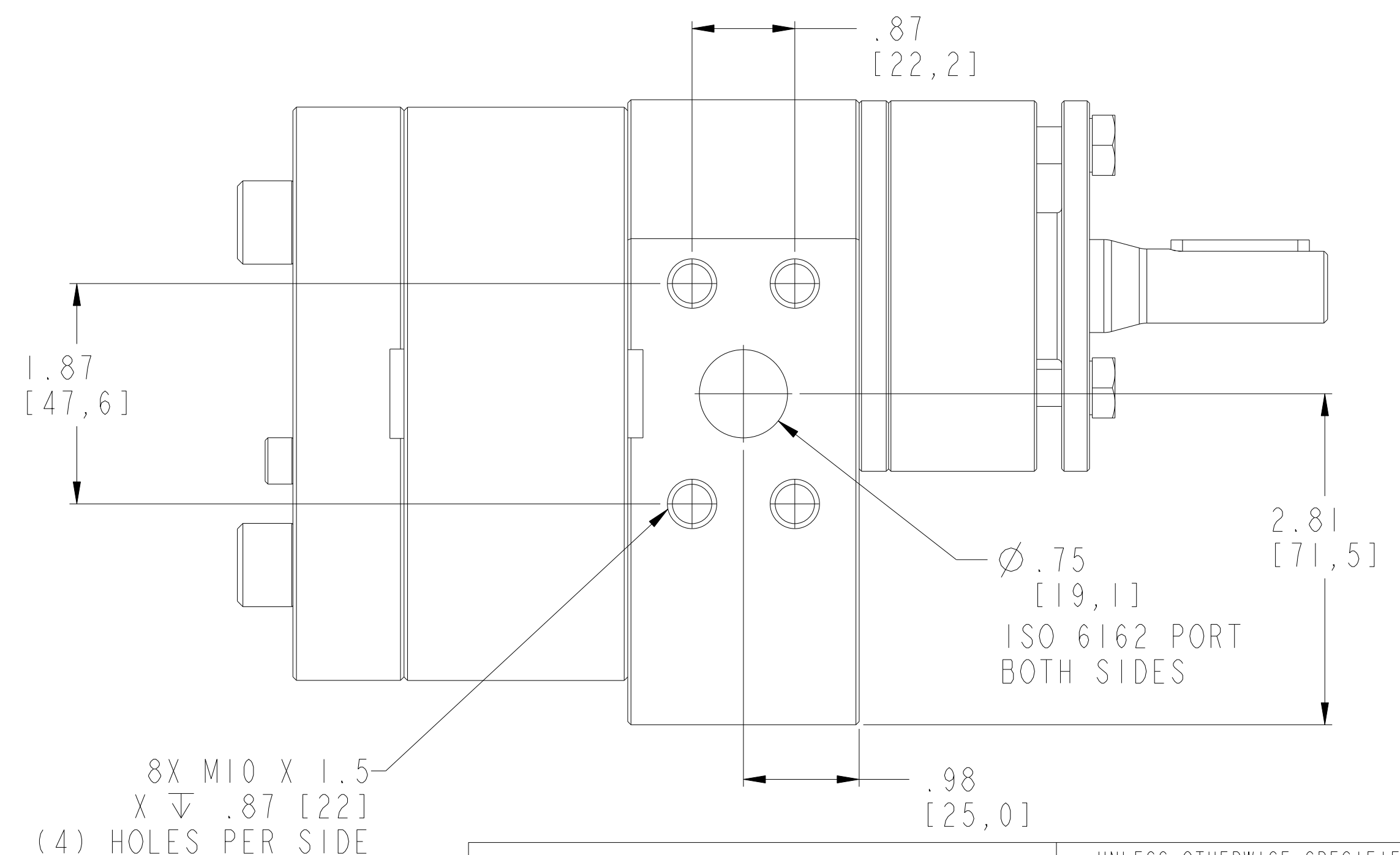
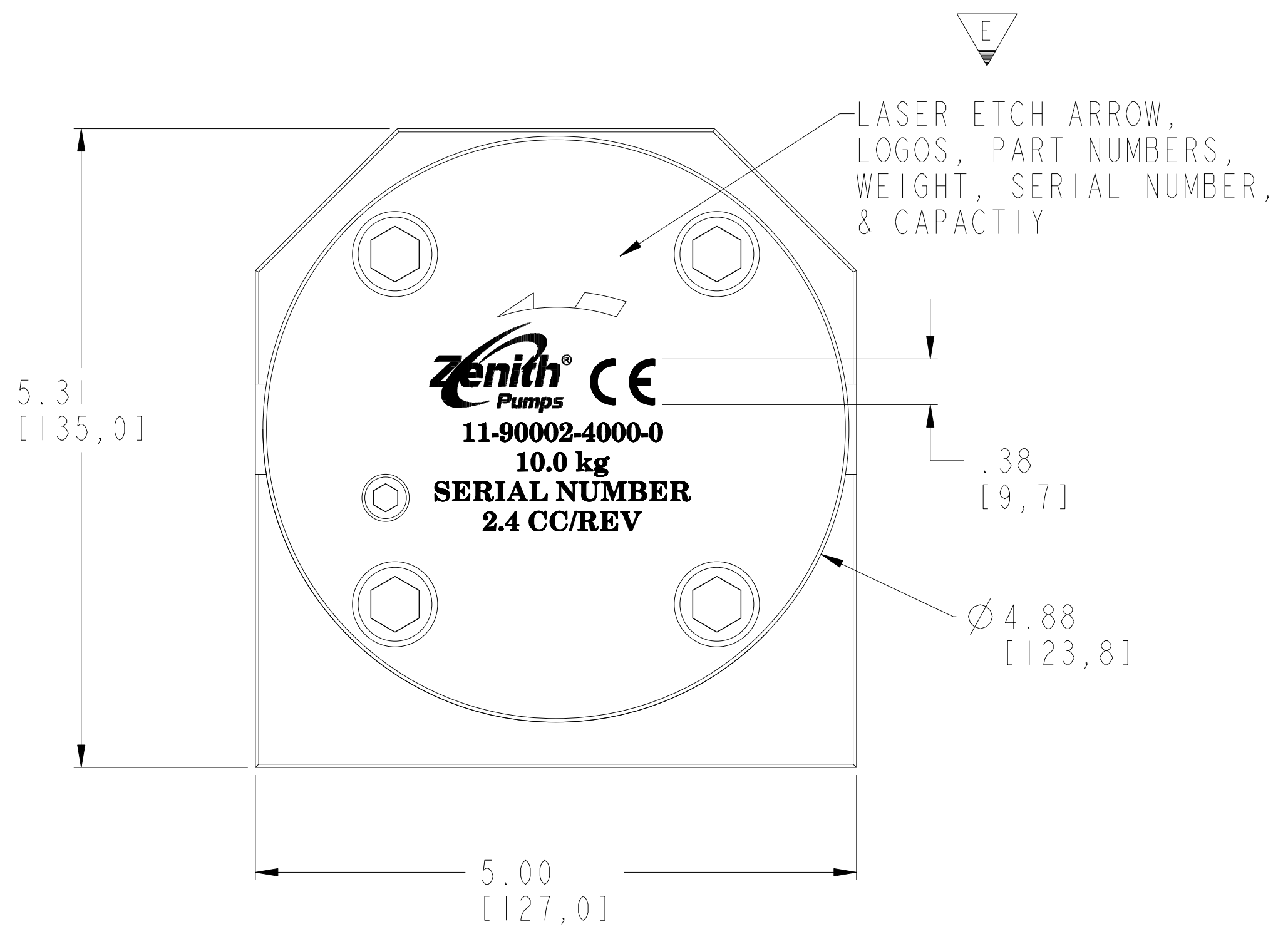
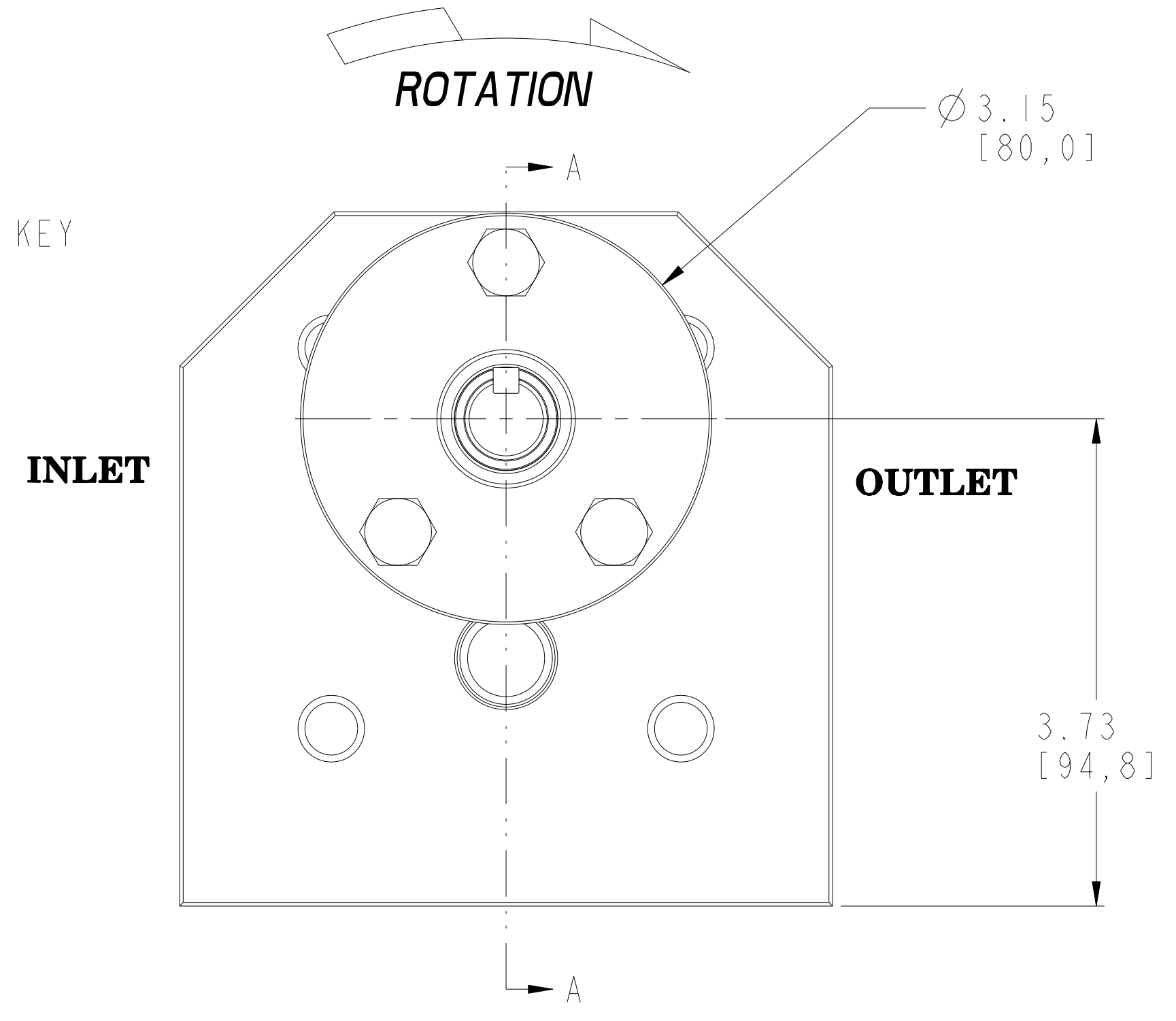
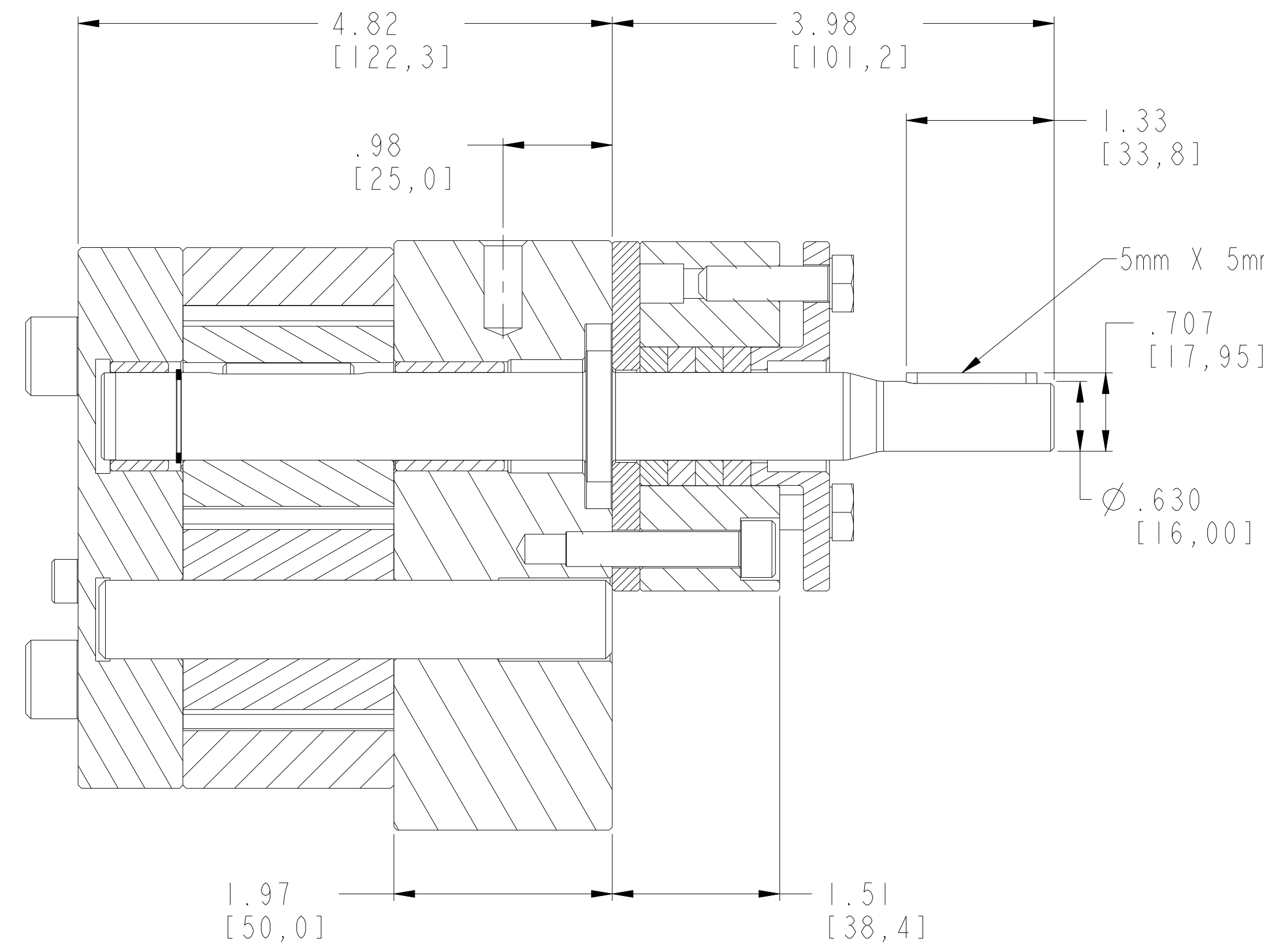


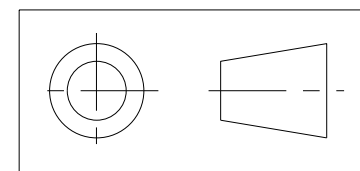
BOLT TORQUE
LUBRICATE UNDERSIDE OF CAP & THREADS ON FASTENERS
WITH ANTI-SEIZE COMPOUND PRIOR TO ASSEMBLY
***M6 ALLOY BOLTS - LUBRICATED = 108 lb.-in.**
***M8 ALLOY BOLTS - LUBRICATED = 262 lb.-in.**
***M10 ALLOY BOLTS - LUBRICATED = 519 lb.-in.**
***M12 ALLOY BOLTS - LUBRICATED = 910 lb.-in.**

REVISIONS			
LTR	DESCRIPTION	DATE	ECN NO.
E	UPDATE LASER ETCHING	01/14/2011	004-2011

SECTION A-A



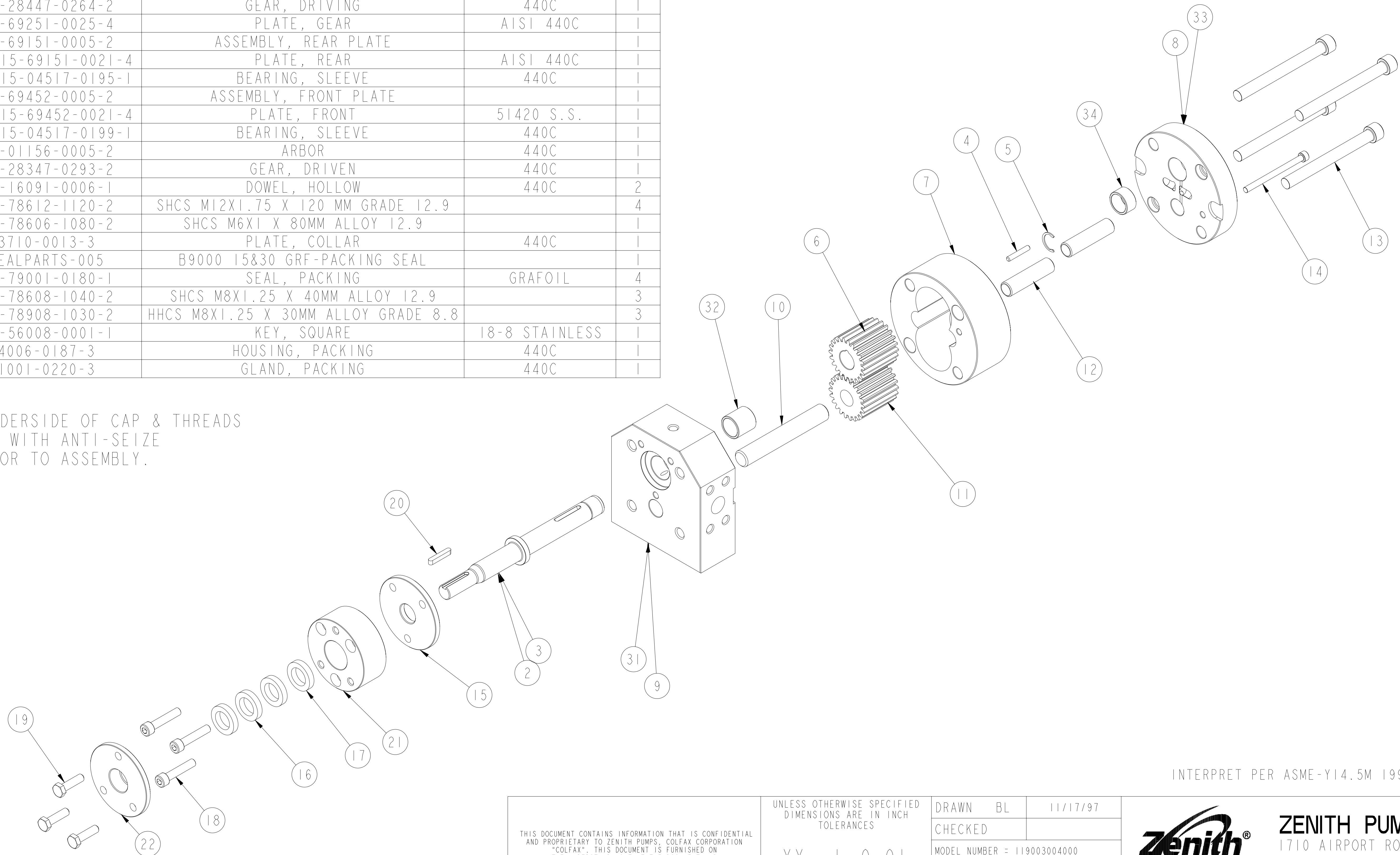
INTERPRET PER ASME-Y14.5M 1994



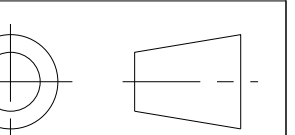
THIS DOCUMENT CONTAINS INFORMATION THAT IS CONFIDENTIAL AND PROPRIETARY TO ZENITH PUMPS, COLFAX CORPORATION "COLFAX". THIS DOCUMENT IS FURNISHED ON THE UNDERSTANDING THAT THE DOCUMENT AND THE INFORMATION IT CONTAINS WILL NOT BE COPIED OR DISCLOSED TO OTHERS OR USED FOR ANY PURPOSE OTHER THAN CONDUCTING BUSINESS WITH COLFAX, AND WILL BE RETURNED AND ALL FURTHER USE DISCONTINUED UPON REQUEST BY COLFAX.	UNLESS OTHERWISE SPECIFIED DIMENSIONS ARE IN INCH TOLERANCES .XX ± 0.01 .XXX ± 0.005 ANG ± 0.5	DRAWN BL 11/17/97 CHECKED	ZENITH PUMPS 1710 AIRPORT ROAD MONROE, NC 28110		
	MATERIAL	PART WEIGHT = LBS MODEL NUMBER = 119003004000 DRAWING = 119003004000	B-9000-30-000 30 CC/REV PUMP	SCALE 1:1 SHEET 1 OF 2	DRAWING NUMBER 11-90030-0400-0

ITEM No.	PART NUMBER	PART NAME	MATERIAL	QTY
	11-90030-0400-0	B-9000-30-000		1
2	13-90030-0000-1	B-9000-30 BASE PUMP		1
3	15-79568-0024-2	SHAFT, DRIVE	AISI 440C	1
4	18-56008-0008-1	KEY, ROUND	AISI 303 SS	1
5	18-18318-0016-2	RING - RETAINING	PH 15-7 MO	1
6	15-28447-0264-2	GEAR, DRIVING	440C	1
7	15-69251-0025-4	PLATE, GEAR	AISI 440C	1
8	14-69151-0005-2	ASSEMBLY, REAR PLATE		1
33	15-69151-0021-4	PLATE, REAR	AISI 440C	1
34	15-04517-0195-1	BEARING, SLEEVE	440C	1
9	14-69452-0005-2	ASSEMBLY, FRONT PLATE		1
31	15-69452-0021-4	PLATE, FRONT	51420 S.S.	1
32	15-04517-0199-1	BEARING, SLEEVE	440C	1
10	15-01156-0005-2	ARBOR	440C	1
11	15-28347-0293-2	GEAR, DRIVEN	440C	1
12	15-16091-0006-1	DOWEL, HOLLOW	440C	2
13	18-78612-1120-2	SHCS M12X1.75 X 120 MM GRADE 12.9		4
14	18-78606-1080-2	SHCS M6X1 X 80MM ALLOY 12.9		1
15	15-63710-0013-3	PLATE, COLLAR	440C	1
16	12-SEALPARTS-005	B9000 15&30 GRF-PACKING SEAL		1
17	18-79001-0180-1	SEAL, PACKING	GRAFOIL	4
18	18-78608-1040-2	SHCS M8X1.25 X 40MM ALLOY 12.9		3
19	18-78908-1030-2	HHCS M8X1.25 X 30MM ALLOY GRADE 8.8		3
20	18-56008-0001-1	KEY, SQUARE	18-8 STAINLESS	1
21	15-54006-0187-3	HOUSING, PACKING	440C	1
22	15-51001-0220-3	GLAND, PACKING	440C	1

LUBRICATE UNDERSIDE OF CAP & THREADS ON FASTENERS WITH ANTI-SEIZE COMPOUND PRIOR TO ASSEMBLY.



INTERPRET PER ASME-Y14.5M 1994



THIS DOCUMENT CONTAINS INFORMATION THAT IS CONFIDENTIAL AND PROPRIETARY TO ZENITH PUMPS, COLFAX CORPORATION "COLFAX". THIS DOCUMENT IS FURNISHED ON THE UNDERSTANDING THAT THE DOCUMENT AND THE INFORMATION IT CONTAINS WILL NOT BE COPIED OR DISCLOSED TO OTHERS OR USED FOR ANY PURPOSE OTHER THAN CONDUCTING BUSINESS WITH COLFAX, AND WILL BE RETURNED AND ALL FURTHER USE DISCONTINUED UPON REQUEST BY COLFAX.	UNLESS OTHERWISE SPECIFIED DIMENSIONS ARE IN INCH TOLERANCES .XX ± 0.01 .XXX ± 0.005 ANG ± 0.5	DRAWN BL 11/17/97 CHECKED MODEL NUMBER = 119003004000 DRAWING = 119003004000	ZENITH PUMPS 1710 AIRPORT ROAD MONROE, NC 28110	SCALE 1:2 SHEET 2 OF 2	DRAWING NUMBER 11-90030-0400-0	REV E
	PRO/ENGINEER DRAWING	SIZE D		REV E		