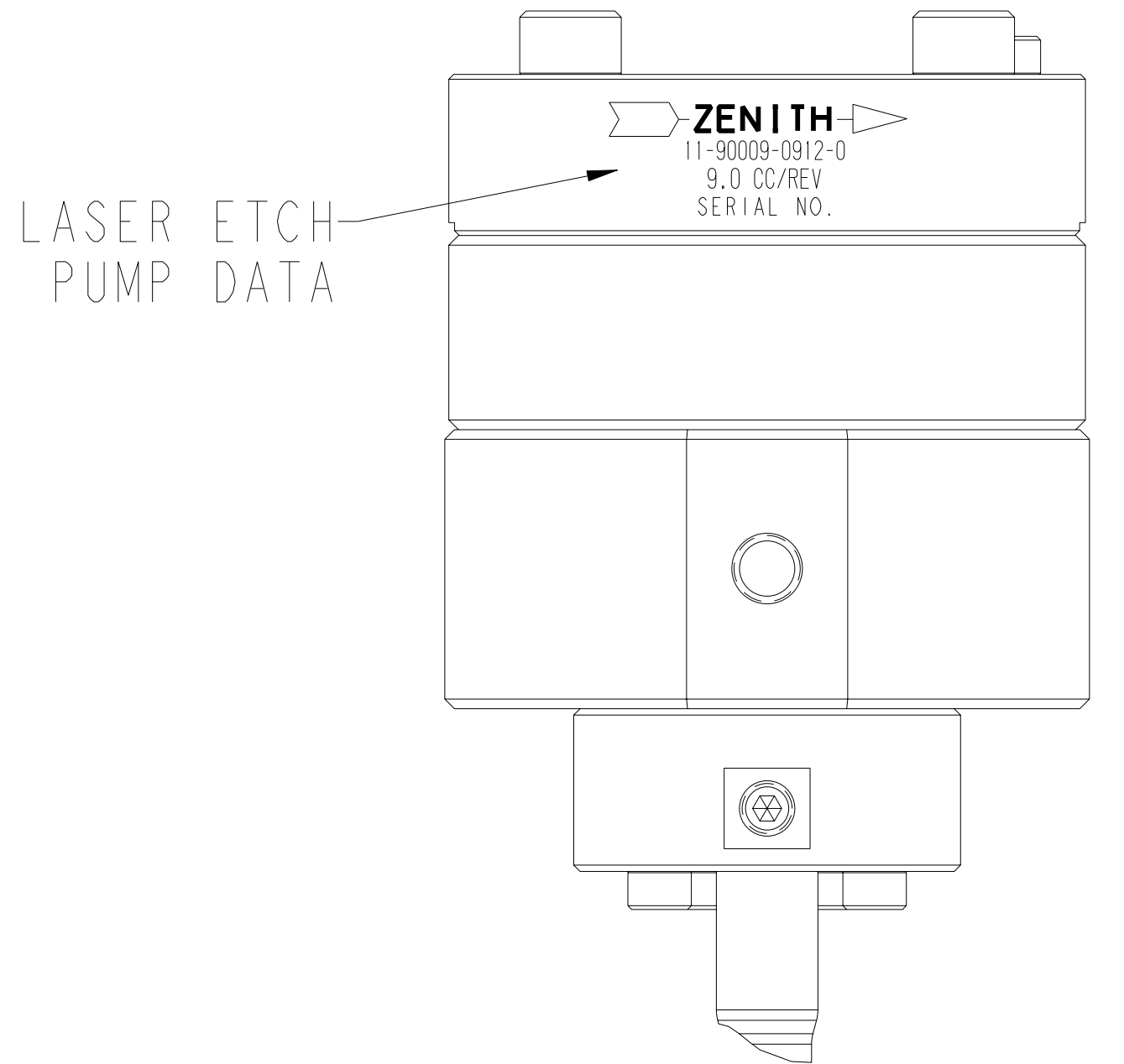
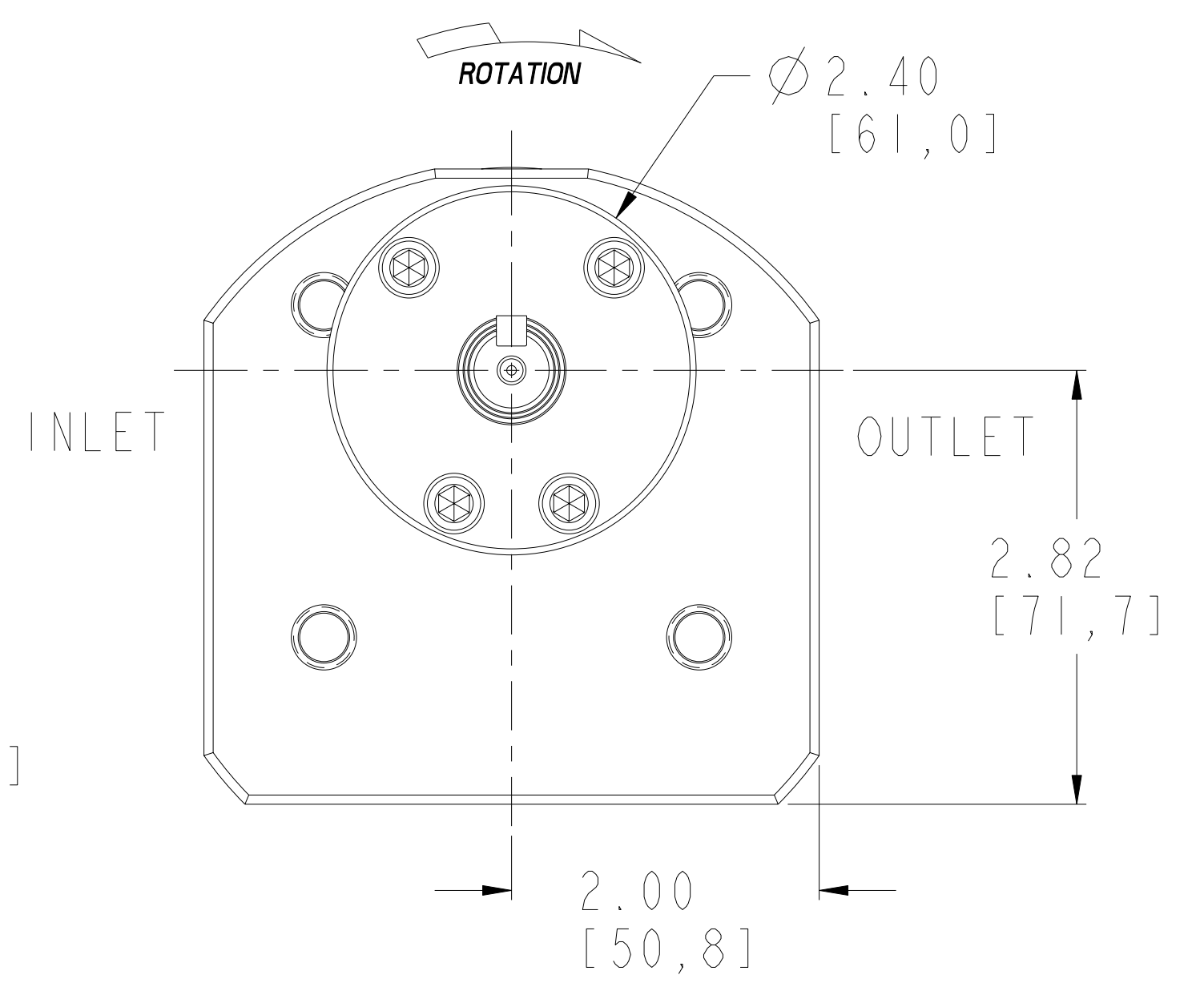
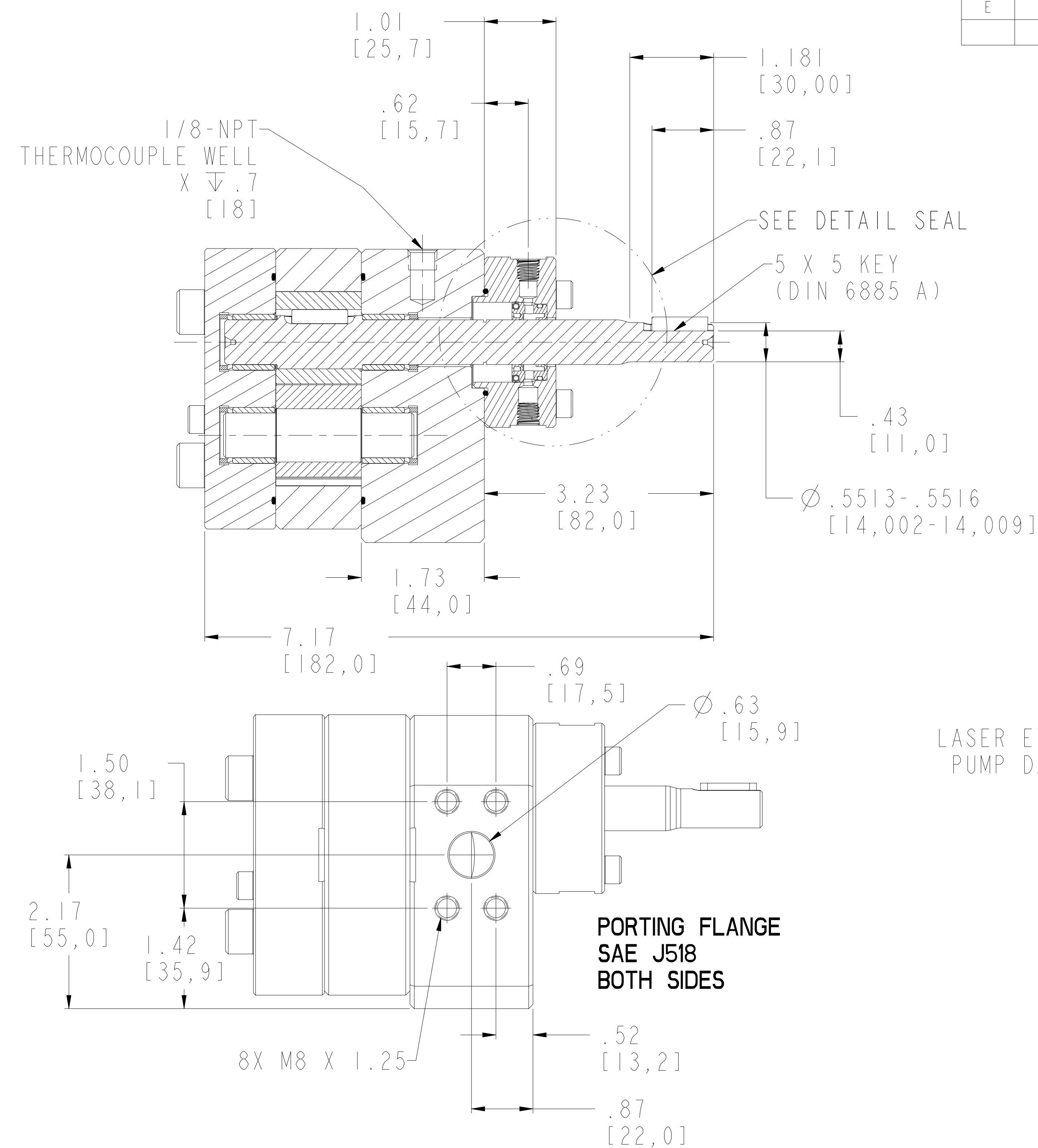
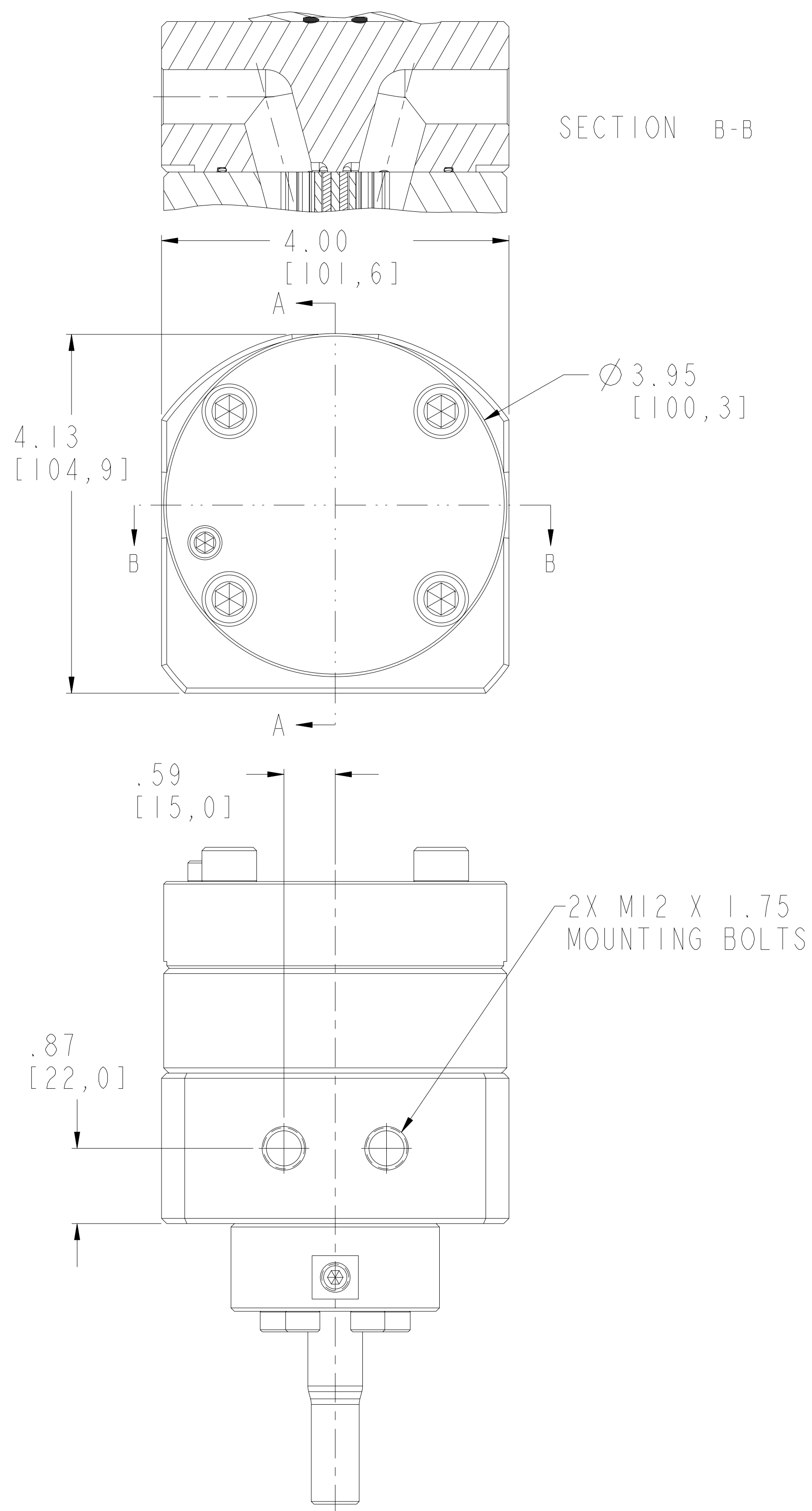


REVISIONS			
LTR	DESCRIPTION	DATE	ECN NO.
E	PLUG WAS 18-73000-0007-1	07/26/07	128-2007

SECTION A-A

SECTION B-B



**TORQUE CHART**  
**M6 BOLTS LUBRICATED = 70 lb.-in. (7.9 N-m)**  
**M10 BOLTS LUBRICATED = 335 lb.-in. (37.8 N-m)**  
**M8 BOLTS (FLANGE) LUBRICATED = 169 lb.-in. (19.1 N-m)**  
**M12 BOLTS (MOUNTING) LUBRICATED = 580 lb.-in. (66.0 N-m)**

THIS DOCUMENT CONTAINS INFORMATION THAT IS CONFIDENTIAL AND PROPRIETARY TO ZENITH PUMPS, COLFAX CORPORATION "COLFAX". THIS DOCUMENT IS FURNISHED ON THE UNDERSTANDING THAT THE DOCUMENT AND THE INFORMATION IT CONTAINS WILL NOT BE COPIED OR DISCLOSED TO OTHERS OR USED FOR ANY PURPOSE OTHER THAN CONDUCTING BUSINESS WITH COLFAX, AND WILL BE RETURNED AND ALL FURTHER USE DISCONTINUED UPON REQUEST BY COLFAX.

UNLESS OTHERWISE SPECIFIED DIMENSIONS ARE IN INCH TOLERANCES  
 .XX ± 0.01  
 .XXX ± 0.005  
 ANG ± 0.5

MATERIAL SEE BILL OF MATERIAL SHEET 2 OF 3

DRAWN LG 1.3.2003  
 CHECKED  
 PART WEIGHT = 48.339 LBS  
 SURFACE AREA = 371.839 IN<sup>2</sup>  
 MODEL NUMBER = 119000909120  
 DRAWING = 119000909120  
 PRO/ENGINEER DRAWING SIZE D

**ZENITH PUMPS**  
 5910 ELWIN BUCHANAN DRIVE  
 SANFORD, NC 27330

**zenith Pumps**

C-9000 9 CC/REV RAN 912  
 SINGLE STREAM 9 CC/REV

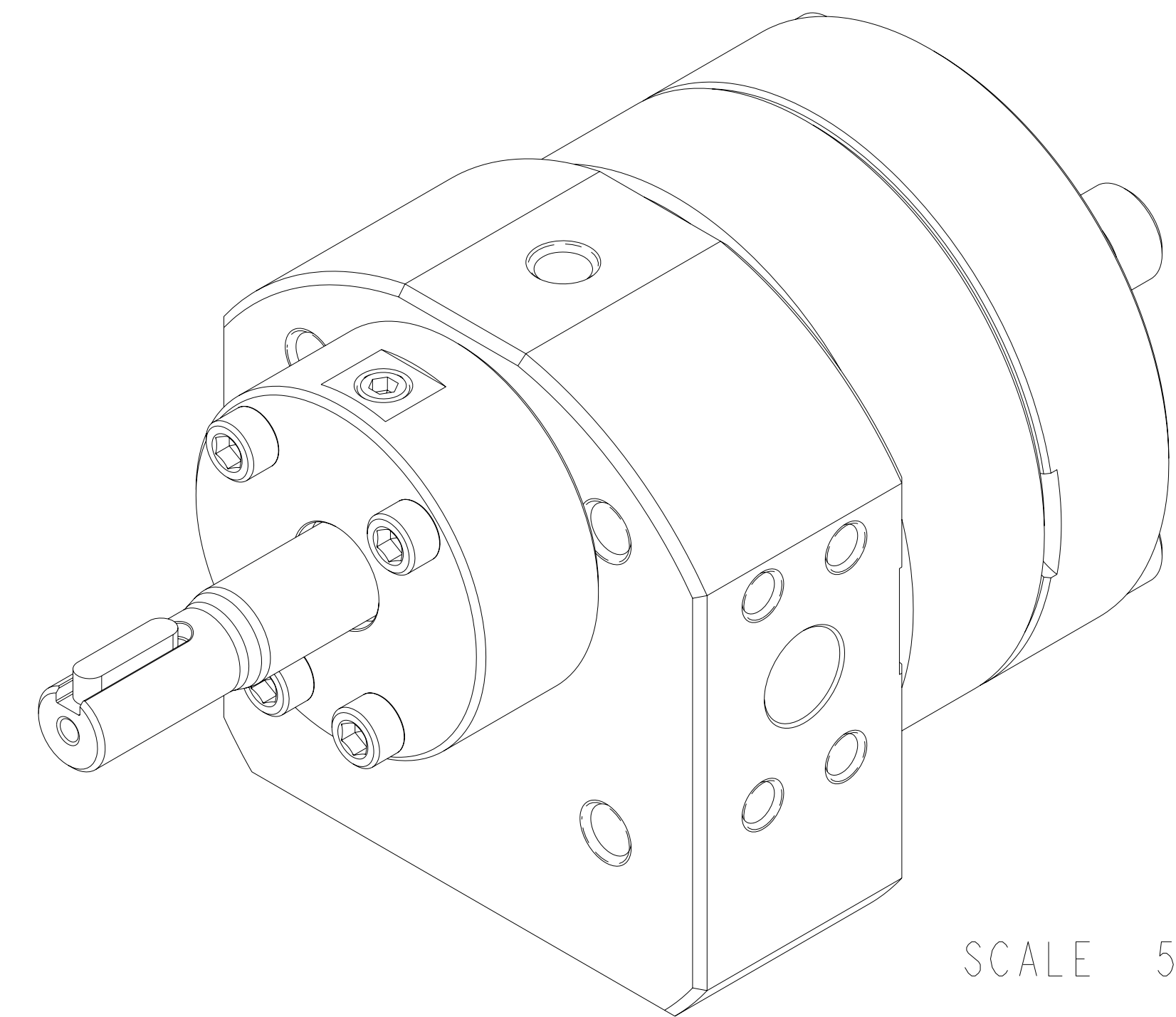
SCALE 1:1  
 SHEET 1 OF 3

DRAWING NUMBER  
 11-90009-0912-0

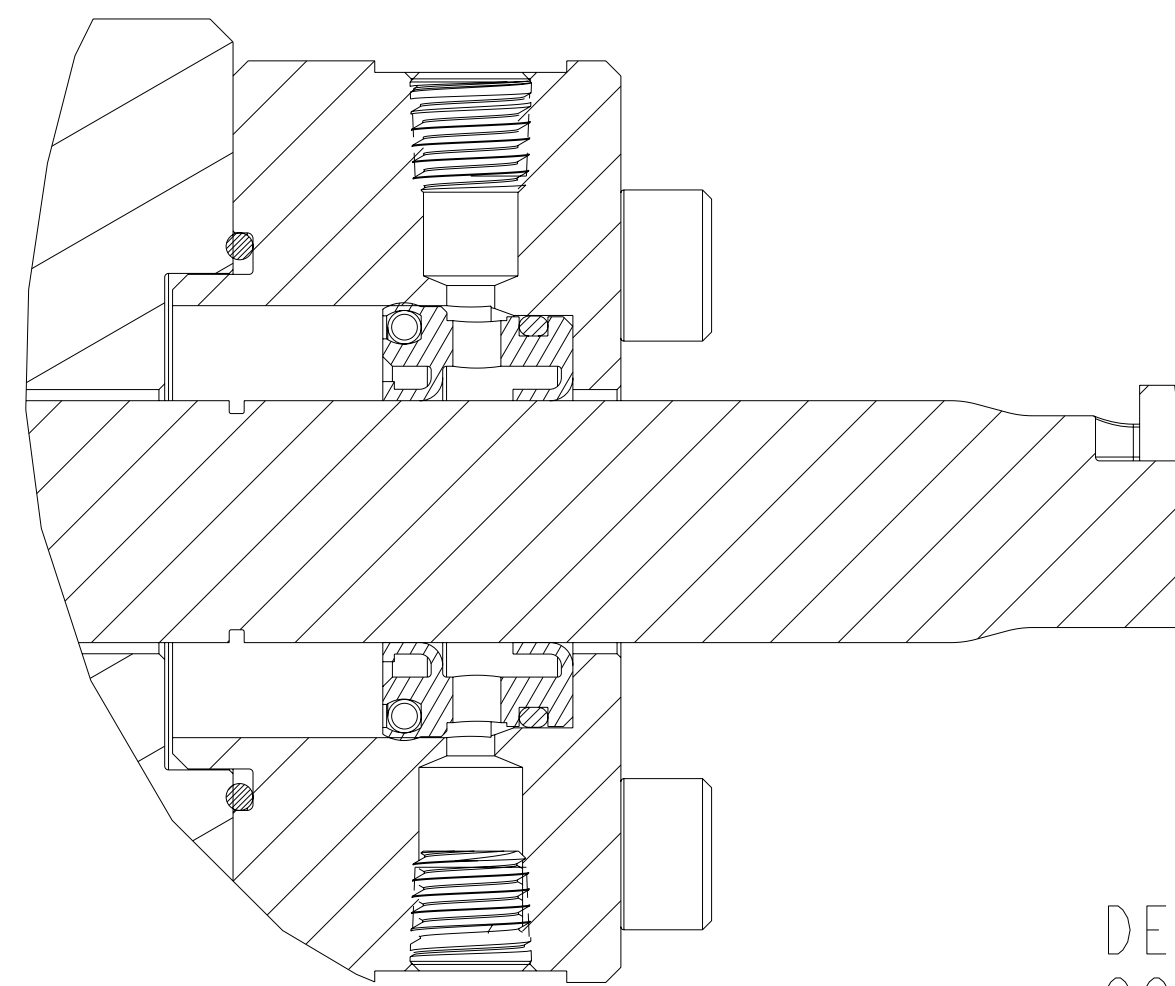
INTERPRET PER ASME-Y14.5M 1994

ITEM No.	PART NUMBER	PART NAME	MATERIAL	QTY
	119000909120	C-9000 9 CC/REV RAN 912		1
8	146945200174	ASSEMBLY, FRONT PLATE		1
21	156945200384	PLATE, FRONT	ZP1222	1
45	150752000061	BUSHING, SPACER	316 S.S.	2
24	150453100091	BEARING, SLEEVE	ZP1186	2
5	152523000052	GEAR, DRIVING	ZP2724	2
2	157956800742	SHAFT, DRIVE	ZP2724	1
9	150115600402	ARBOR	ZP2724	1
4	185600800331	KEY, ROUND	303 SS	2
10	151609100601	DOWEL, HOLLOW	17-4PH	2
3	156925100554	PLATE, GEAR	ZP1222	1
7	146915100162	ASSEMBLY, REAR PLATE		1
20	156915100374	PLATE, REAR	ZP1222	1
45	150752000061	BUSHING, SPACER	316 S.S.	2
23	150453100091	BEARING, SLEEVE	ZP1186	2
34	187650402761	O-RING	PTFE ENCAPSULATED FLUOROCARBON	2
11	155401900413	HOUSING, LIPSEAL	440C	1
14	187900401381	TANDEM LIP SEAL	CARB. FIBER FILLED PTFE	1
33	187650401891_INV	O-RING	PTFE ENCAPSULATED FLUOROCARBON	1
17	185600800051	KEY, SQUARE	STEEL 50-1 K	1
30	150013100652	SEAL ASSEMBLY TOOL	ACETAL COPOLYMER	1
19	189341010902	SHCS M10X1.5 X 90 MM 316 SS		4
15	189340610702	SHCS M6X1 X 70MM 316 SS		1
18	189340610352	SHCS M6X1 X 35MM 316 SS		4
42	187300000161	PLUG, DRYSEAL TYPE	316 S.S.	2

REVISIONS			
LTR	DESCRIPTION	DATE	ECN NO.
E	PLUG WAS 18-73000-0007-1	07/26/07	128-2007

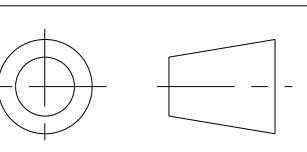


SCALE 5:4



DETAIL SEAL  
SCALE 2:1

INTERPRET PER ASME-Y14.5M 1994



<small>THIS DOCUMENT CONTAINS INFORMATION THAT IS CONFIDENTIAL AND PROPRIETARY TO ZENITH PUMPS, COLFAX CORPORATION "COLFAX". THIS DOCUMENT IS FURNISHED ON THE UNDERSTANDING THAT THE DOCUMENT AND THE INFORMATION IT CONTAINS WILL NOT BE COPIED OR DISCLOSED TO OTHERS OR USED FOR ANY PURPOSE OTHER THAN CONDUCTING BUSINESS WITH COLFAX, AND WILL BE RETURNED AND ALL FURTHER USE DISCONTINUED UPON REQUEST BY COLFAX.</small>	<small>UNLESS OTHERWISE SPECIFIED DIMENSIONS ARE IN INCH TOLERANCES</small> .XX ± 0.01 .XXX ± 0.005 ANG ± 0.5	DRAWN LG	1.3.2003	<b>ZENITH PUMPS</b> 5910 ELWIN BUCHANAN DRIVE SANFORD, NC 27330
		CHECKED		
MATERIAL SEE BILL OF MATERIAL SHEET 2 OF 3		PART WEIGHT =	48.339 LBS	C-9000 9 CC/REV RAN 912 SINGLE STREAM 9 CC/REV
		SURFACE AREA =	371.839 IN <sup>2</sup>	
		MODEL NUMBER =	119000909120	SCALE 1:2 SHEET 2 OF 3
		DRAWING =	119000909120	
		PRO/ENGINEER DRAWING	SIZE D	DRAWING NUMBER
				11-90009-0912-0

TO PREVENT DAMAGE  
 INSTALL SEAL ASSEMBLY TOOL  
 ONTO SHAFT TO COVER KEYWAY  
 DURING SEAL INSTALLIATION.

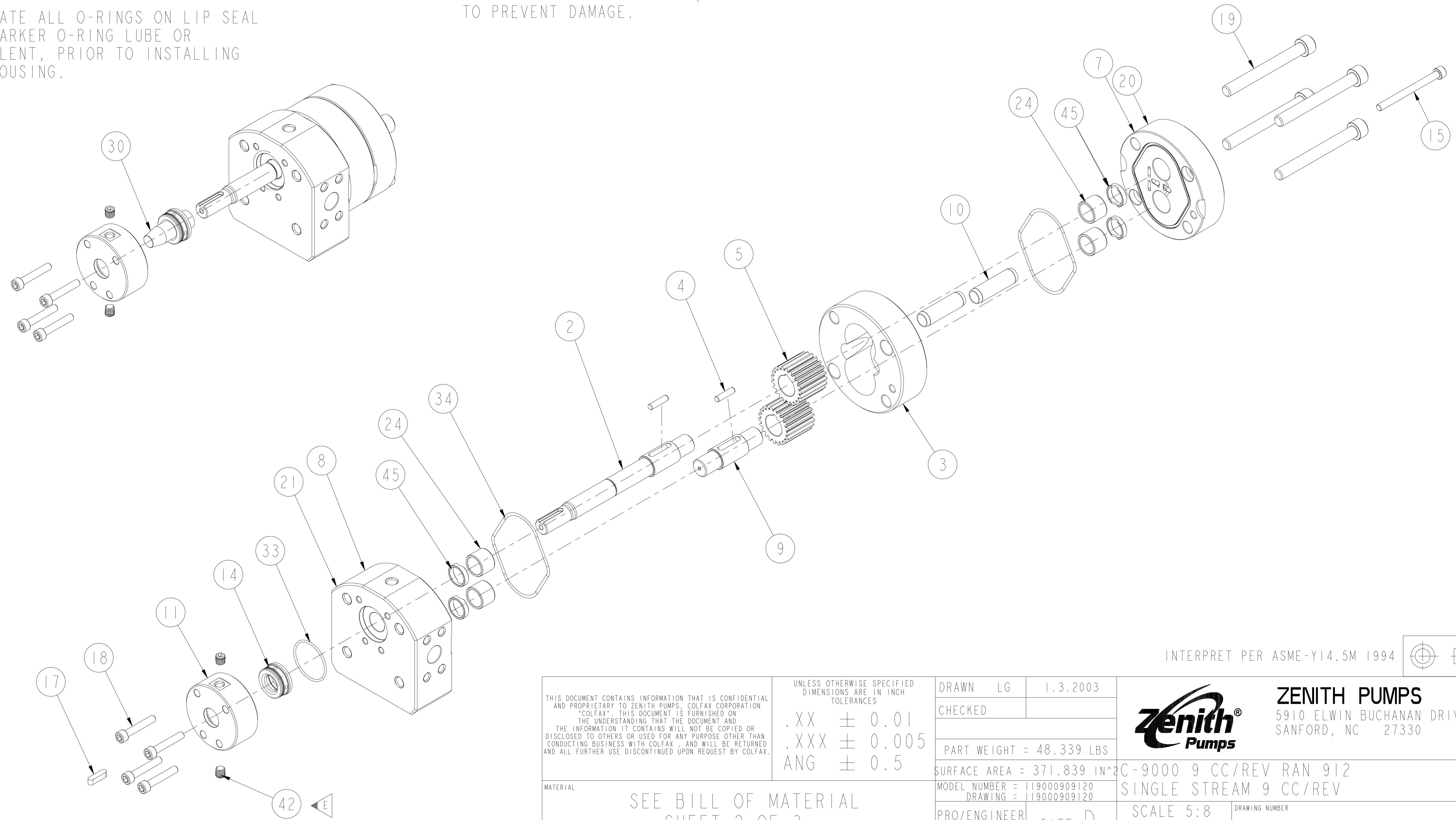
PRESS SEAT AND O-RING FIRMLY  
 INTO SEAL HOUSING PRIOR  
 TO INSTALLING ONTO PUMP.

LUBRICATE ALL O-RINGS ON LIP SEAL  
 WITH PARKER O-RING LUBE OR  
 EQUIVALENT, PRIOR TO INSTALLING  
 INTO HOUSING.

LUBRICATE UNDERSIDE OF CAP & THREADS  
 ON FASTENERS WITH ANTI-SEIZE  
 COMPOUND PRIOR TO ASSEMBLY.

INSTALL SEAL ASSEMBLY TOOL  
 ONTO SHAFT TO COVER KEYWAY  
 DURING SEAL INSTALLATION,  
 TO PREVENT DAMAGE.

REVISIONS			
LTR	DESCRIPTION	DATE	ECN NO.
E	PLUG WAS 18-73000-0007-1	07/26/07	128-2007



INTERPRET PER ASME-Y14.5M 1994

<small>THIS DOCUMENT CONTAINS INFORMATION THAT IS CONFIDENTIAL AND PROPRIETARY TO ZENITH PUMPS, COLFAX CORPORATION "COLFAX". THIS DOCUMENT IS FURNISHED ON THE UNDERSTANDING THAT THE DOCUMENT AND THE INFORMATION IT CONTAINS WILL NOT BE COPIED OR DISCLOSED TO OTHERS OR USED FOR ANY PURPOSE OTHER THAN CONDUCTING BUSINESS WITH COLFAX, AND WILL BE RETURNED AND ALL FURTHER USE DISCONTINUED UPON REQUEST BY COLFAX.</small>	<small>UNLESS OTHERWISE SPECIFIED DIMENSIONS ARE IN INCH TOLERANCES</small> .XX ± 0.01 .XXX ± 0.005 ANG ± 0.5	DRAWN LG 1.3.2003 CHECKED	<b>ZENITH PUMPS</b> 5910 ELWIN BUCHANAN DRIVE SANFORD, NC 27330
	MATERIAL SEE BILL OF MATERIAL SHEET 2 OF 3	PART WEIGHT = 48.339 LBS SURFACE AREA = 371.839 IN <sup>2</sup> MODEL NUMBER = 119000909120 DRAWING = 119000909120	
		PRO/ENGINEER DRAWING SIZE D	DRAWING NUMBER 11-90009-0912-0