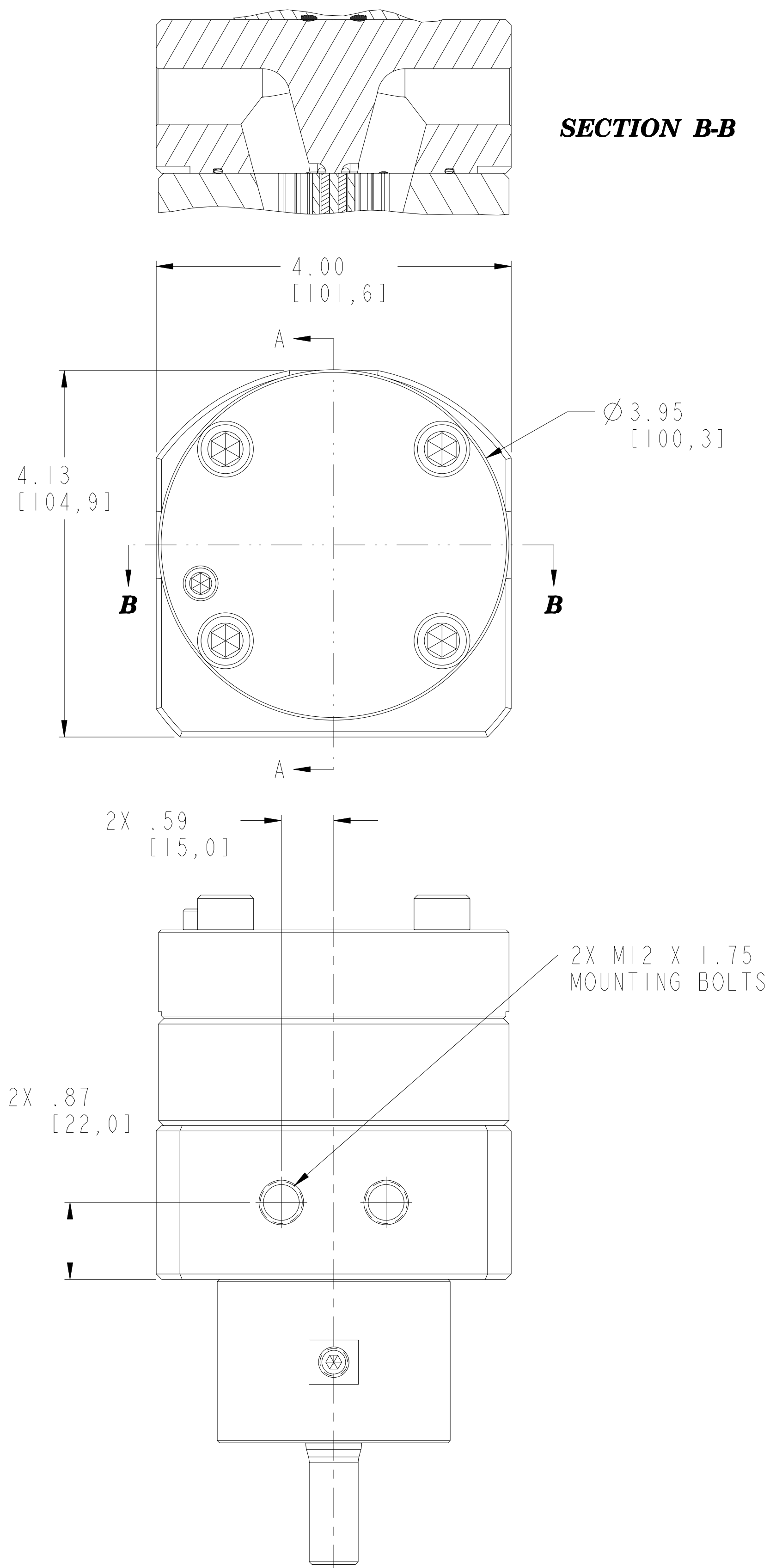
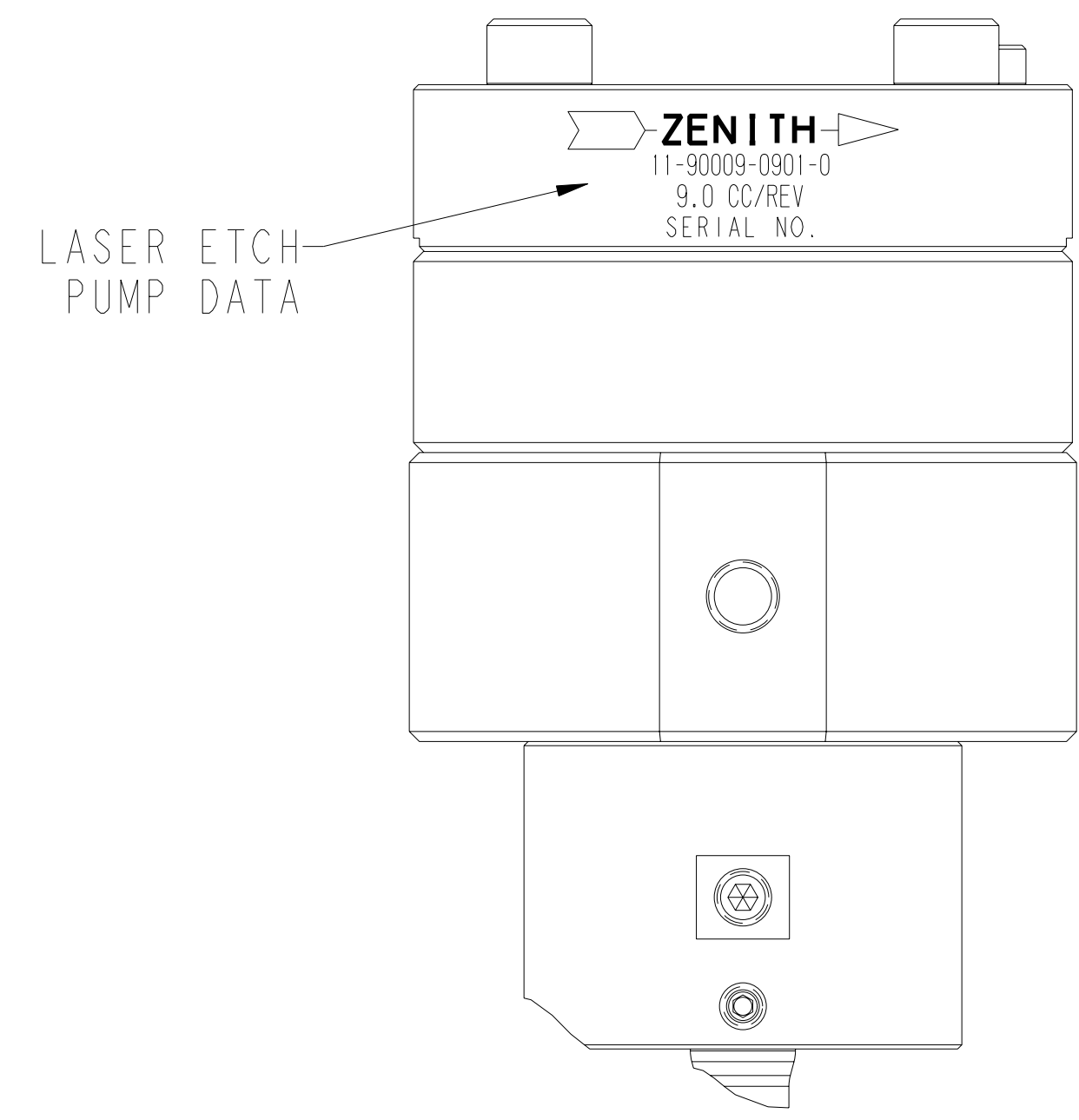
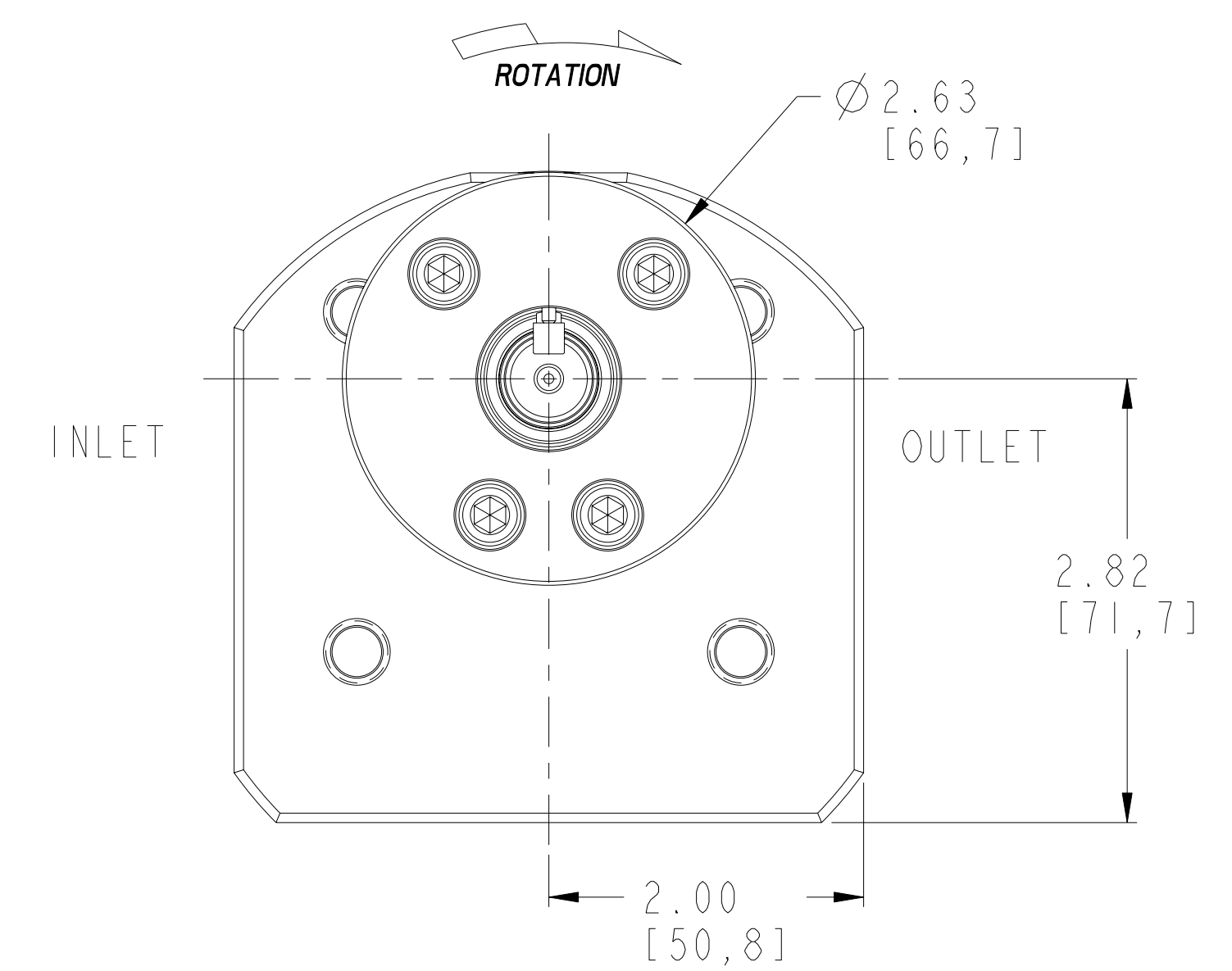
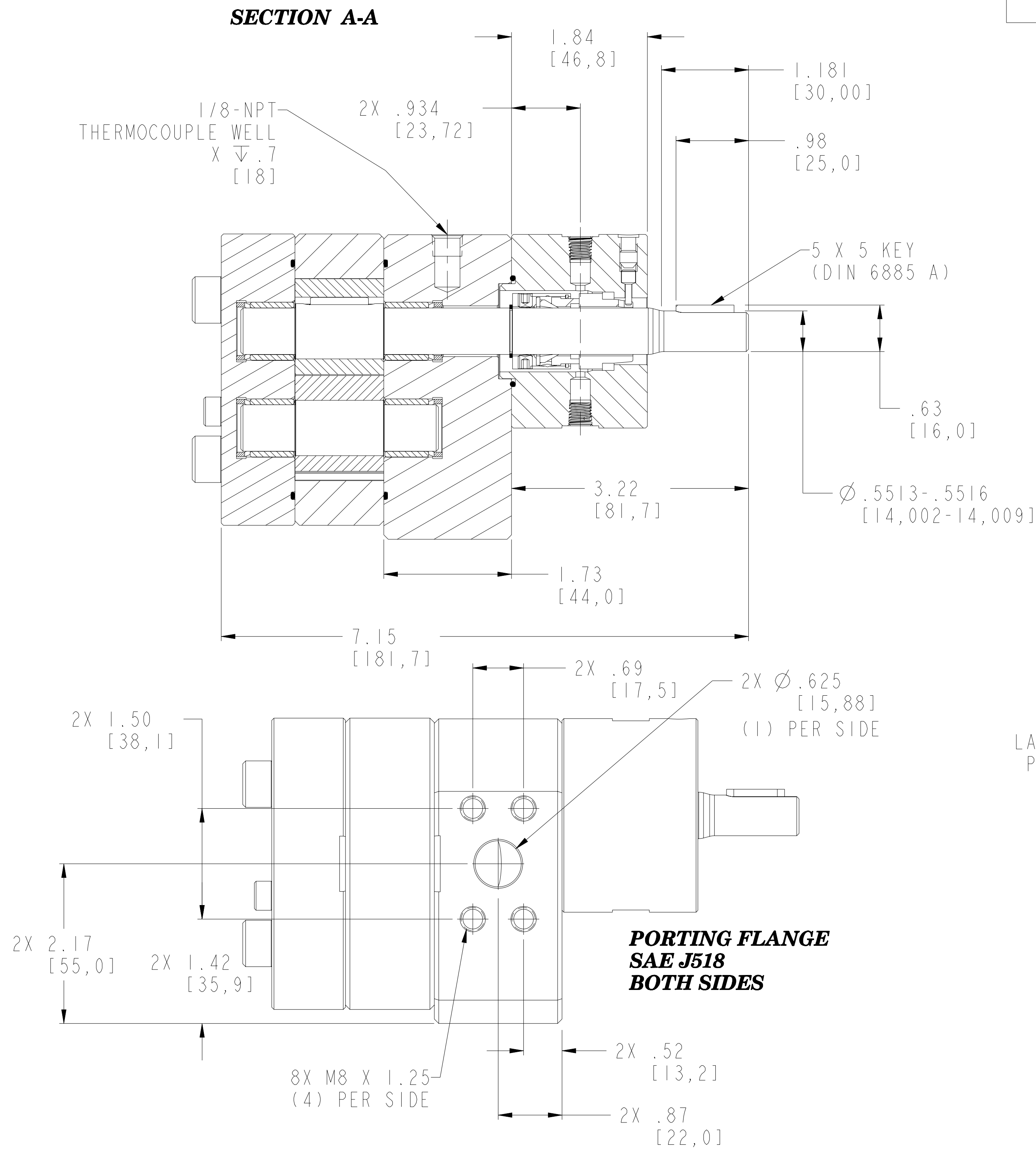


REVISIONS			
LTR	DESCRIPTION	DATE	ECN NO.
A	PLUG WAS 18-73000-0007-1	07/26/07	128-2007



TORQUE CHART
M6 BOLTS LUBRICATED = 70 lb.-in. (7.9 N-m)
M10 BOLTS LUBRICATED = 335 lb.-in. (37.8 N-m)
M8 BOLTS (FLANGE) LUBRICATED = 169 lb.-in. (19.1 N-m)
M12 BOLTS (MOUNTING) LUBRICATED = 580 lb.-in. (66.0 N-m)



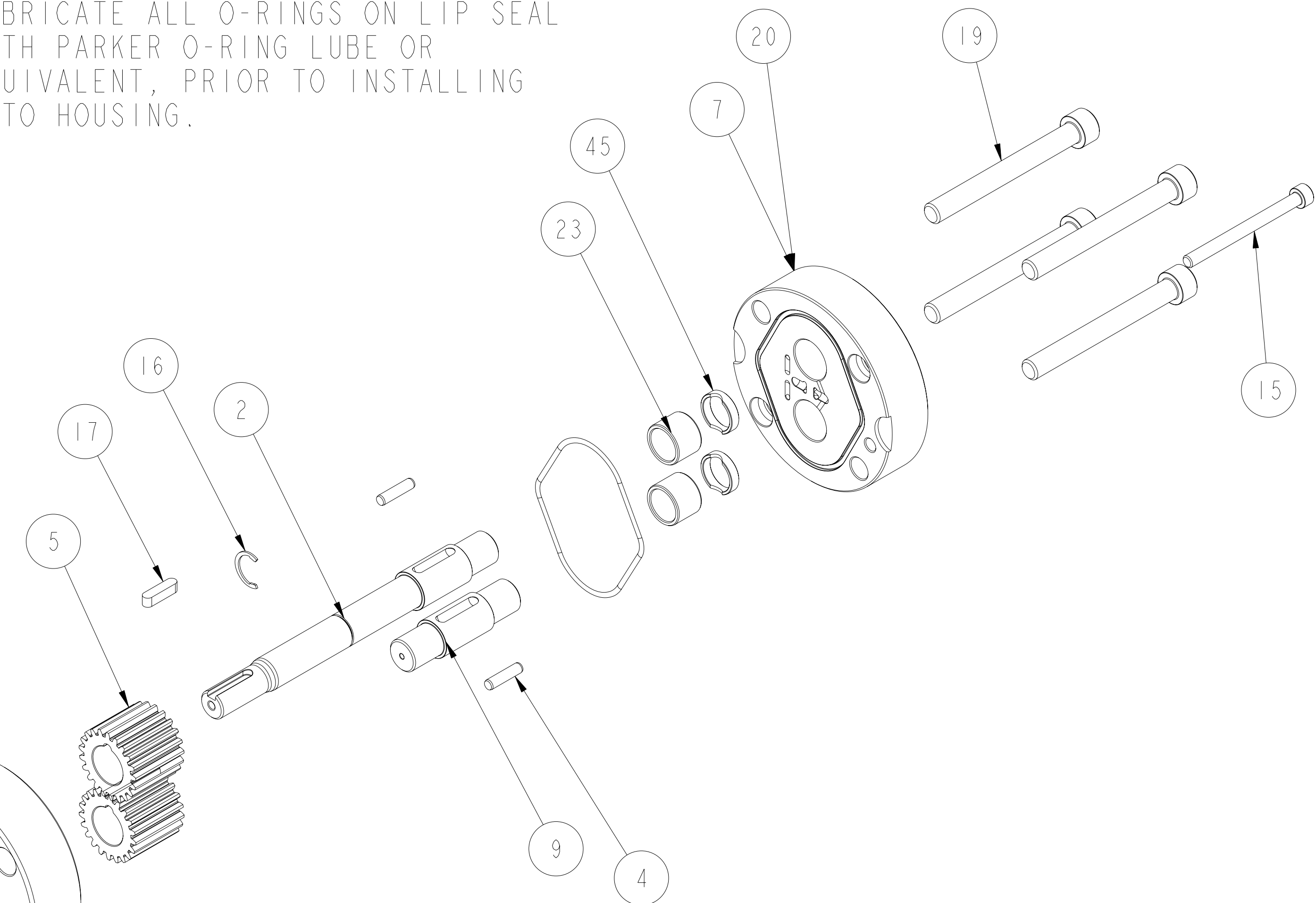
INTERPRET PER ASME-Y14.5M 1994

THIS DOCUMENT CONTAINS INFORMATION THAT IS CONFIDENTIAL AND PROPRIETARY TO ZENITH PUMPS, COLFAX CORPORATION "COLFAX". THIS DOCUMENT IS FURNISHED ON THE UNDERSTANDING THAT THE DOCUMENT AND THE INFORMATION IT CONTAINS WILL NOT BE COPIED OR DISCLOSED TO OTHERS OR USED FOR ANY PURPOSE OTHER THAN CONDUCTING BUSINESS WITH COLFAX, AND WILL BE RETURNED AND ALL FURTHER USE DISCONTINUED UPON REQUEST BY COLFAX.	UNLESS OTHERWISE SPECIFIED DIMENSIONS ARE IN INCH TOLERANCES .XX ± 0.01 .XXX ± 0.005 ANG ± 0.5	DRAWN MBR 03/15/04 CHECKED PART WEIGHT = 48.339 LBS SURFACE AREA = 371.839 IN ²	ZENITH PUMPS 5910 ELWIN BUCHANAN DRIVE SANFORD, NC 27330 zenith Pumps C-9000 9.0 CC/REV RAN 901 SINGLE STREAM PUMP
	MATERIAL SEE BILL OF MATERIAL	MODEL NUMBER = 119000909010 DRAWING = 119000909010 PRO/ENGINEER DRAWING SIZE D	

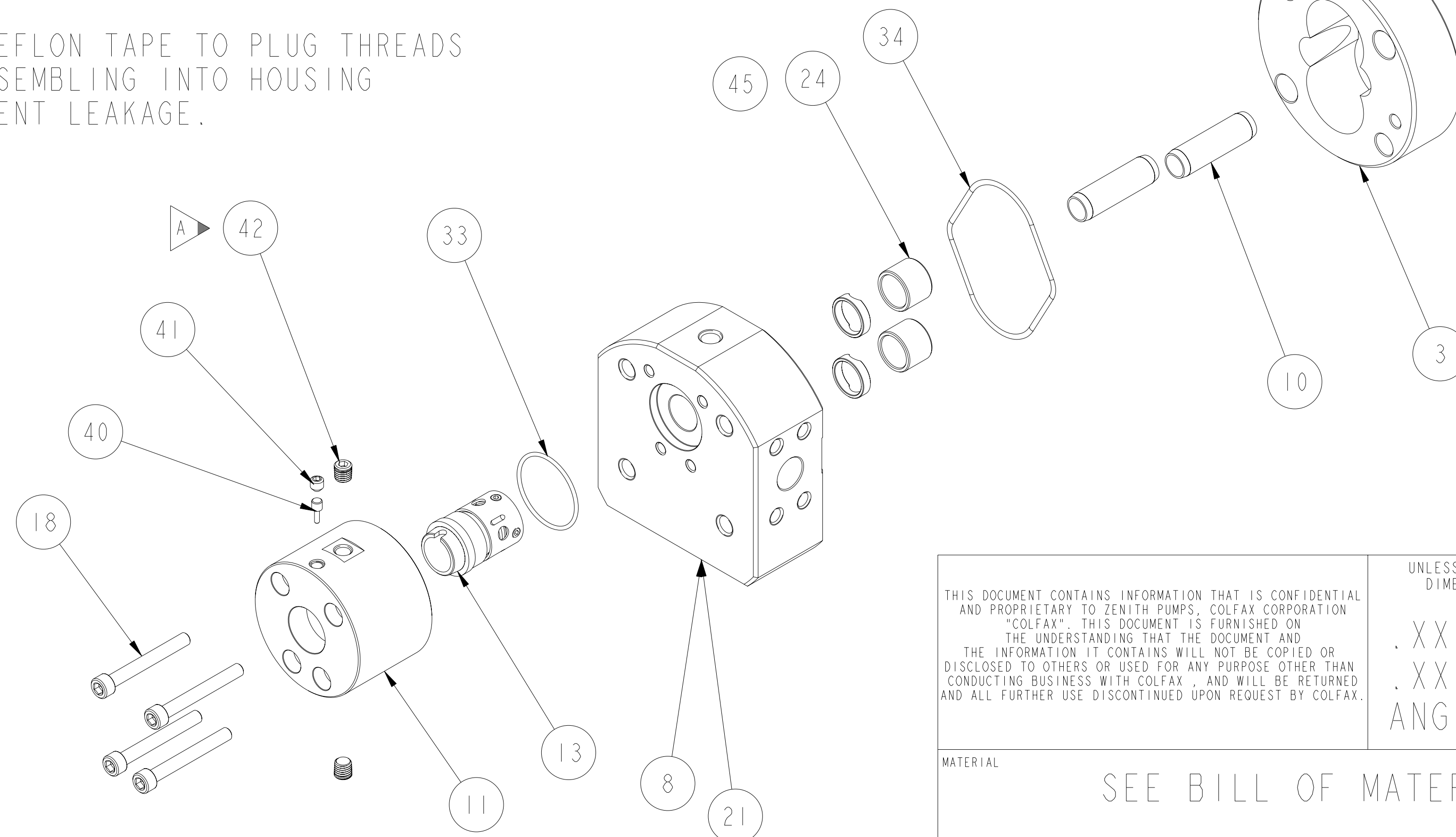
ITEM No.	PART NUMBER	PART NAME	MATERIAL	QTY
	119000909010	C-9000 9.0 CC/REV RAN 901		1
8	146945200174	ASSEMBLY, FRONT PLATE		1
21	156945200384	PLATE, FRONT	ZP1222	1
45	150752000061	BUSHING, SPACER	316 S.S.	2
24	150453100091	BEARING, SLEEVE	ZP1186	2
5	152523000052	GEAR, DRIVING	ZP2724	2
4	185600800331	KEY, ROUND	303 SS	2
2	157956800742	SHAFT, DRIVE	ZP2724	1
9	150115600402	ARBOR	ZP2724	1
10	151609100601	DOWEL, HOLLOW	17-4PH	2
3	156925100554	PLATE, GEAR	ZP1222	1
7	146915100162	ASSEMBLY, REAR PLATE		1
20	156915100374	PLATE, REAR	ZP1222	1
45	150752000061	BUSHING, SPACER	316 S.S.	2
23	150453100091	BEARING, SLEEVE	ZP1186	2
34	187650402761	O-RING	PTFE ENCAPSULATED FLUOROCARBON	2
11	155402000343	HOUSING, SEAL	ZP1222	1
13	187900300711	MECHANICAL SEAL, TYPE 59U	T59U/QRICI/BP	1
33	187650401891_INV	O-RING	PTFE ENCAPSULATED FLUOROCARBON	1
17	185600800051	KEY, SQUARE	STEEL 50-1 K	1
30	150013100652	SEAL ASSEMBLY TOOL	ACETAL COPOLYMER	1
19	189341010902	SHCS M10X1.5 X 90 MM 316 SS		4
15	189340610702	SHCS M6X1 X 70MM 316 SS		1
18	189340610502	SHCS M6X1 X 50MM 316 SS		4
40	151609100401	PIN, DOWEL	ZP1222	1
41	189300000351	M6 X 1.0P SOCKET SET SCREW	STAINLESS STEEL	1
42	187300000161	PLUG, DRYSEAL TYPE	316 S.S.	2
16	181831800142	RING - RETAINING	PH 15-7 MO	1

REVISIONS			
LTR	DESCRIPTION	DATE	ECN NO.
A	PLUG WAS 18-73000-0007-1	07/26/07	128-2007

LUBRICATE ALL O-RINGS ON LIP SEAL WITH PARKER O-RING LUBE OR EQUIVALENT, PRIOR TO INSTALLING INTO HOUSING.

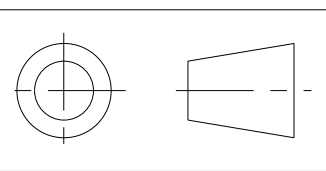


APPLY TEFLON TAPE TO PLUG THREADS WHEN ASSEMBLING INTO HOUSING TO PREVENT LEAKAGE.



LUBRICATE UNDERSIDE OF CAP & THREADS ON FASTENERS WITH ANTI-SEIZE COMPOUND PRIOR TO ASSEMBLY.

INTERPRET PER ASME-Y14.5M 1994



THIS DOCUMENT CONTAINS INFORMATION THAT IS CONFIDENTIAL AND PROPRIETARY TO ZENITH PUMPS, COLFAX CORPORATION "COLFAX". THIS DOCUMENT IS FURNISHED ON THE UNDERSTANDING THAT THE DOCUMENT AND THE INFORMATION IT CONTAINS WILL NOT BE COPIED OR DISCLOSED TO OTHERS OR USED FOR ANY PURPOSE OTHER THAN CONDUCTING BUSINESS WITH COLFAX, AND WILL BE RETURNED AND ALL FURTHER USE DISCONTINUED UPON REQUEST BY COLFAX.

UNLESS OTHERWISE SPECIFIED DIMENSIONS ARE IN INCH TOLERANCES
 .XX ± 0.01
 .XXX ± 0.005
 ANG ± 0.5

MATERIAL
 SEE BILL OF MATERIAL

DRAWN MBR 03/15/04
 CHECKED
 PART WEIGHT = 48.339 LBS
 SURFACE AREA = 371.839 IN²
 MODEL NUMBER = 119000909010
 DRAWING = 119000909010
 PRO/ENGINEER DRAWING SIZE D

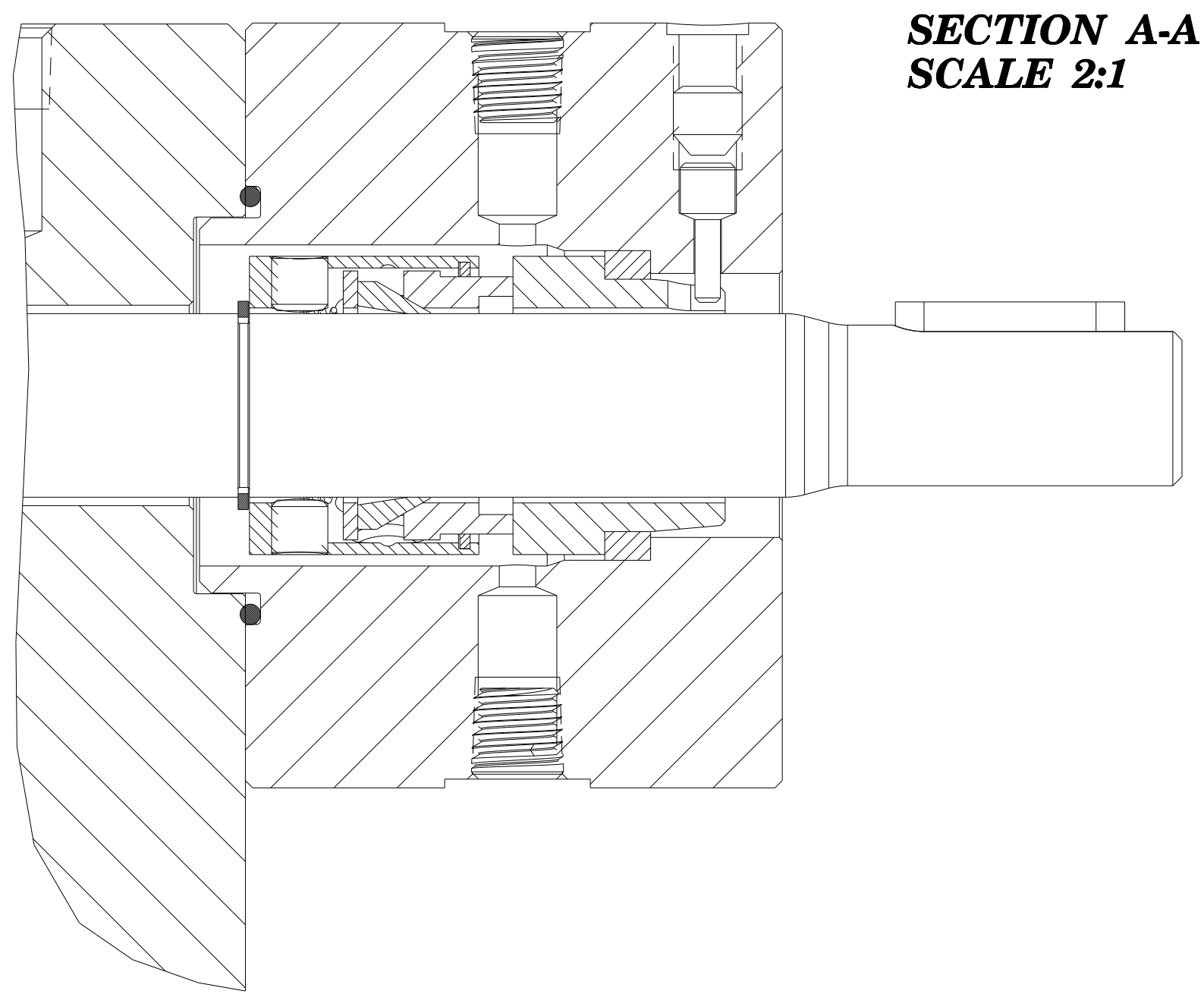
zenith Pumps
 ZENITH PUMPS
 5910 ELWIN BUCHANAN DRIVE
 SANFORD, NC 27330

C-9000 9.0 CC/REV RAN 901
 SINGLE STREAM PUMP

SCALE 5:8
 SHEET 2 OF 3

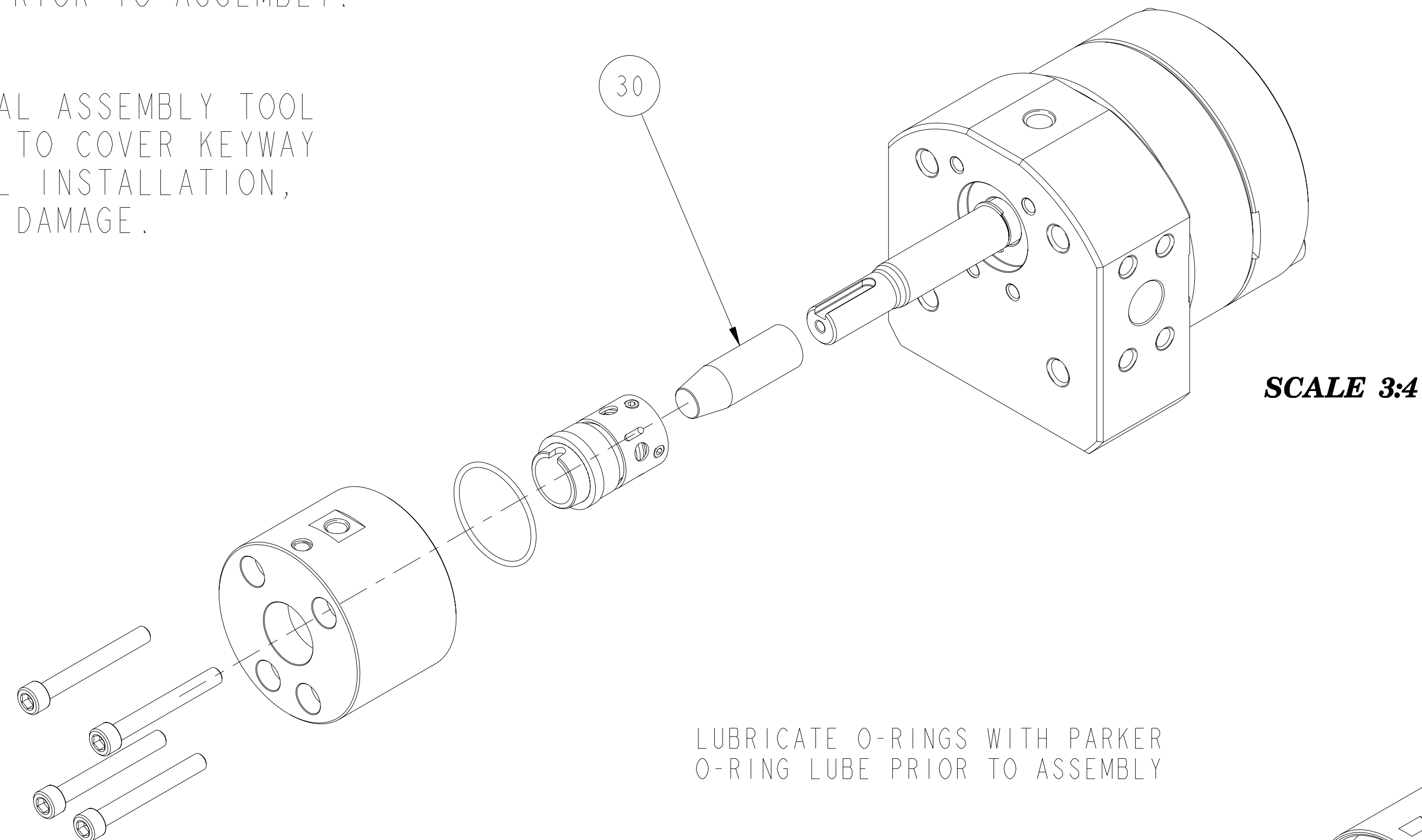
DRAWING NUMBER
 11-90009-0901-0

REVISIONS			
LTR	DESCRIPTION	DATE	ECN NO.
A	PLUG WAS 18-73000-0007-1	07/26/07	128-2007



LUBRICATE UNDERSIDE OF CAP & THREADS ON FASTENERS WITH ANTI-SEIZE COMPOUND PRIOR TO ASSEMBLY.

INSTALL SEAL ASSEMBLY TOOL ONTO SHAFT TO COVER KEYWAY DURING SEAL INSTALLATION, TO PREVENT DAMAGE.



LUBRICATE O-RINGS WITH PARKER O-RING LUBE PRIOR TO ASSEMBLY

TO PREVENT DAMAGE INSTALL SEAL ASSEMBLY TOOL ONTO SHAFT TO COVER KEYWAY DURING SEAL INSTALLATION.

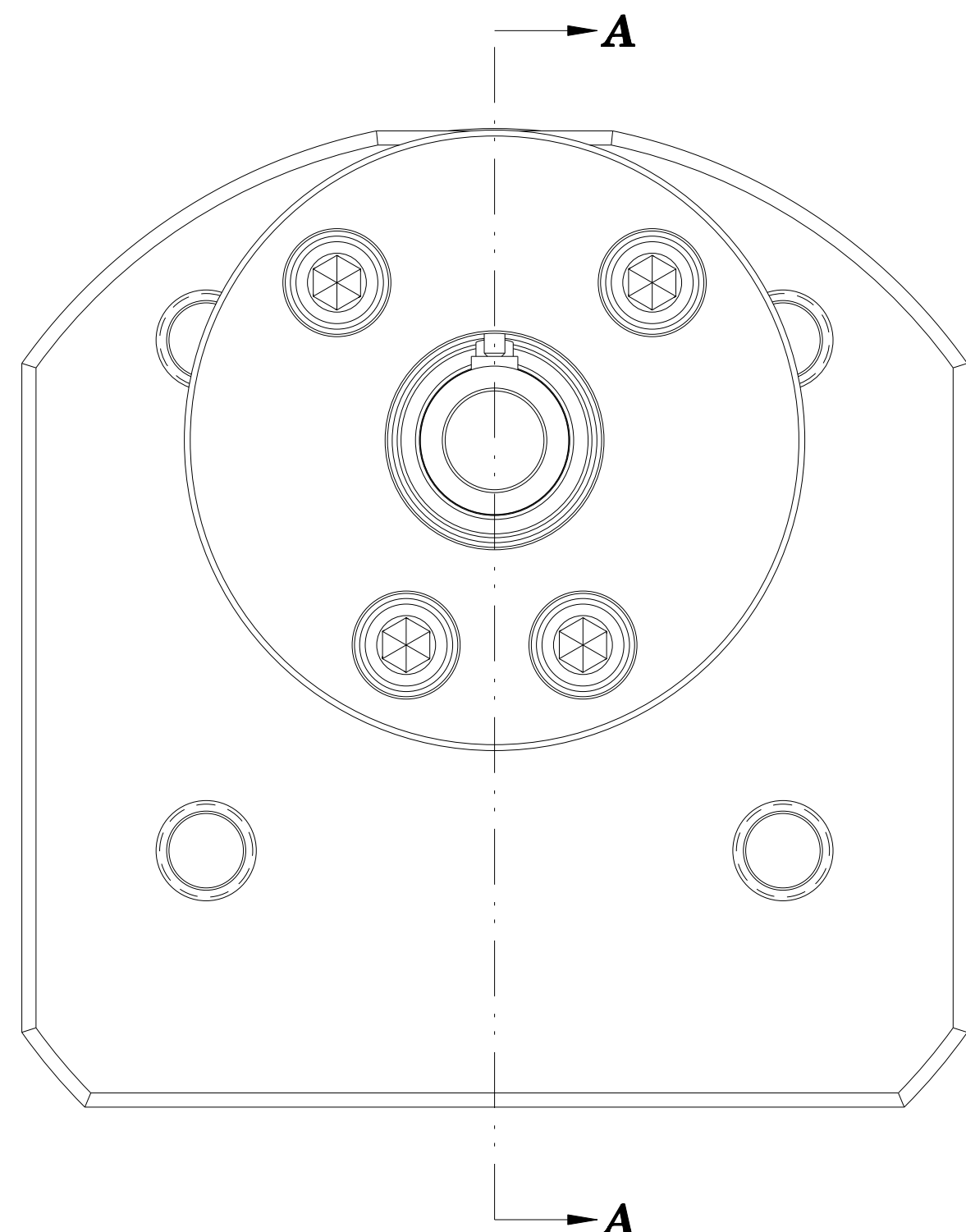
PRESS SEAT AND O-RING FIRMLY INTO SEAL HOUSING PRIOR TO INSTALLING ONTO PUMP.

CARBON GRAPHITE PRIMARY RING

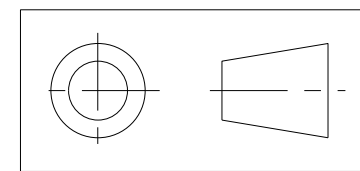
CERAMIC SECONDARY RING

O-RING

MECHANICAL SEAL ASSEMBLY



INTERPRET PER ASME-Y14.5M 1994



<small>THIS DOCUMENT CONTAINS INFORMATION THAT IS CONFIDENTIAL AND PROPRIETARY TO ZENITH PUMPS, COLFAX CORPORATION "COLFAX". THIS DOCUMENT IS FURNISHED ON THE UNDERSTANDING THAT THE DOCUMENT AND THE INFORMATION IT CONTAINS WILL NOT BE COPIED OR DISCLOSED TO OTHERS OR USED FOR ANY PURPOSE OTHER THAN CONDUCTING BUSINESS WITH COLFAX, AND WILL BE RETURNED AND ALL FURTHER USE DISCONTINUED UPON REQUEST BY COLFAX.</small>	<small>UNLESS OTHERWISE SPECIFIED DIMENSIONS ARE IN INCH TOLERANCES</small> .XX ± 0.01 .XXX ± 0.005 ANG ± 0.5	DRAWN MBR 03/15/04	ZENITH PUMPS 5910 ELWIN BUCHANAN DRIVE SANFORD, NC 27330
		CHECKED	
MATERIAL SEE BILL OF MATERIAL		SURFACE AREA = 371.839 IN ²	C-9000 9.0 CC/REV RAN 901 SINGLE STREAM PUMP
		MODEL NUMBER = 119000909010 DRAWING = 119000909010	SCALE 3:2 SHEET 3 OF 3
		PRO/ENGINEER DRAWING SIZE D	DRAWING NUMBER 11-90009-0901-0