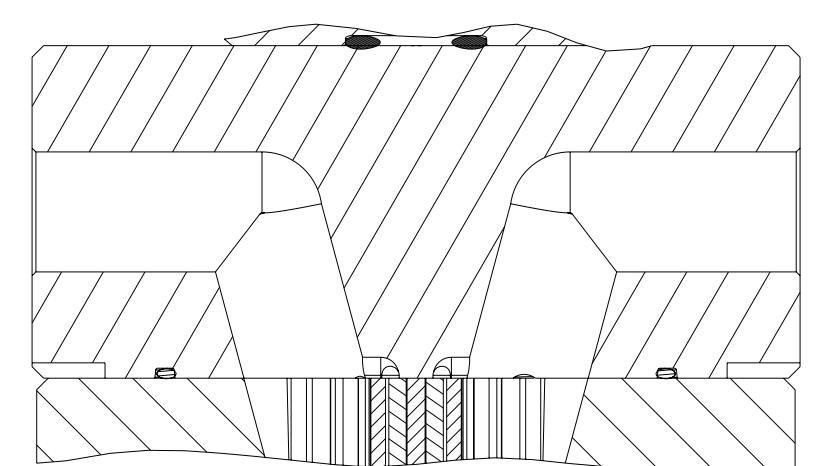
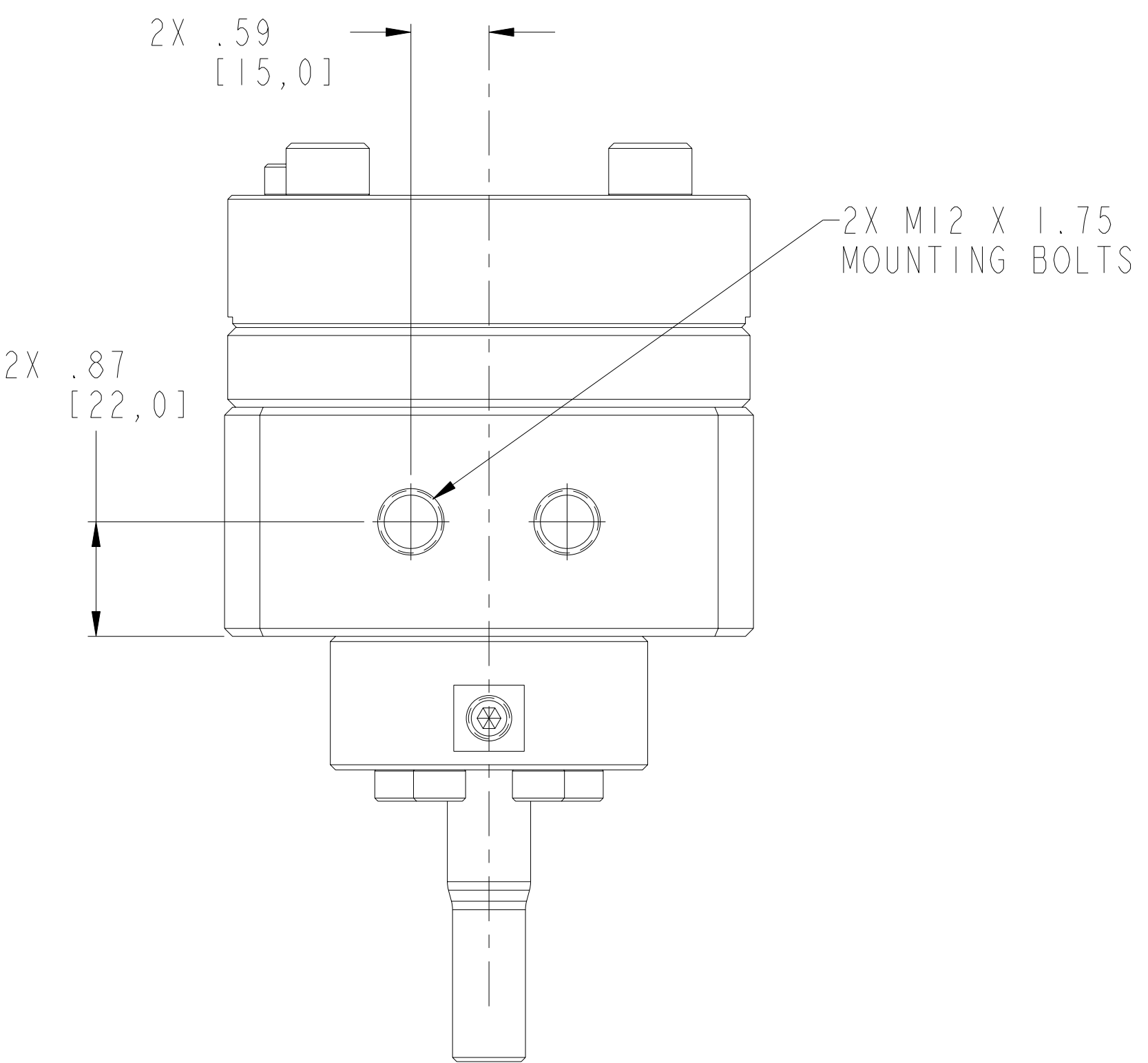
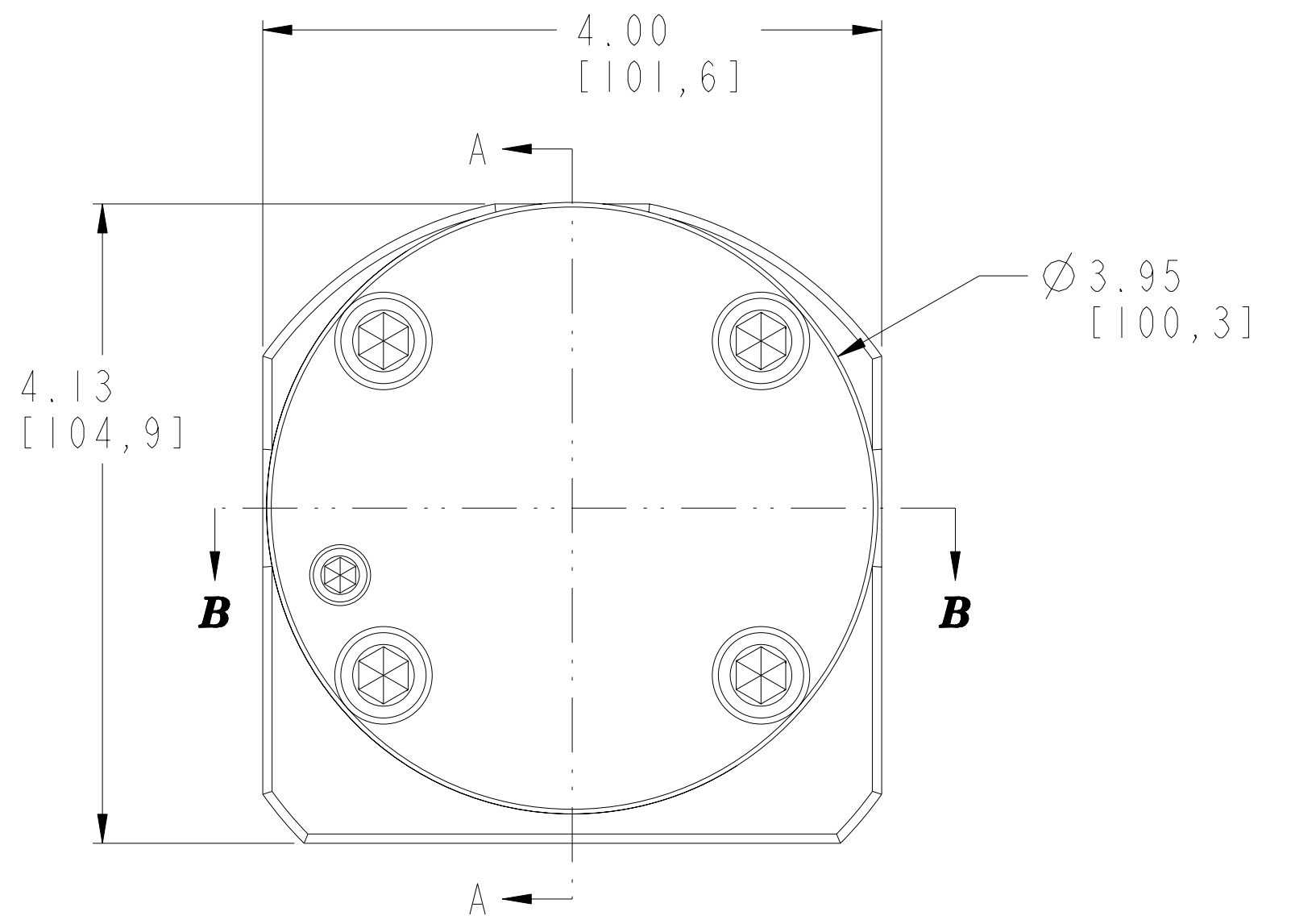


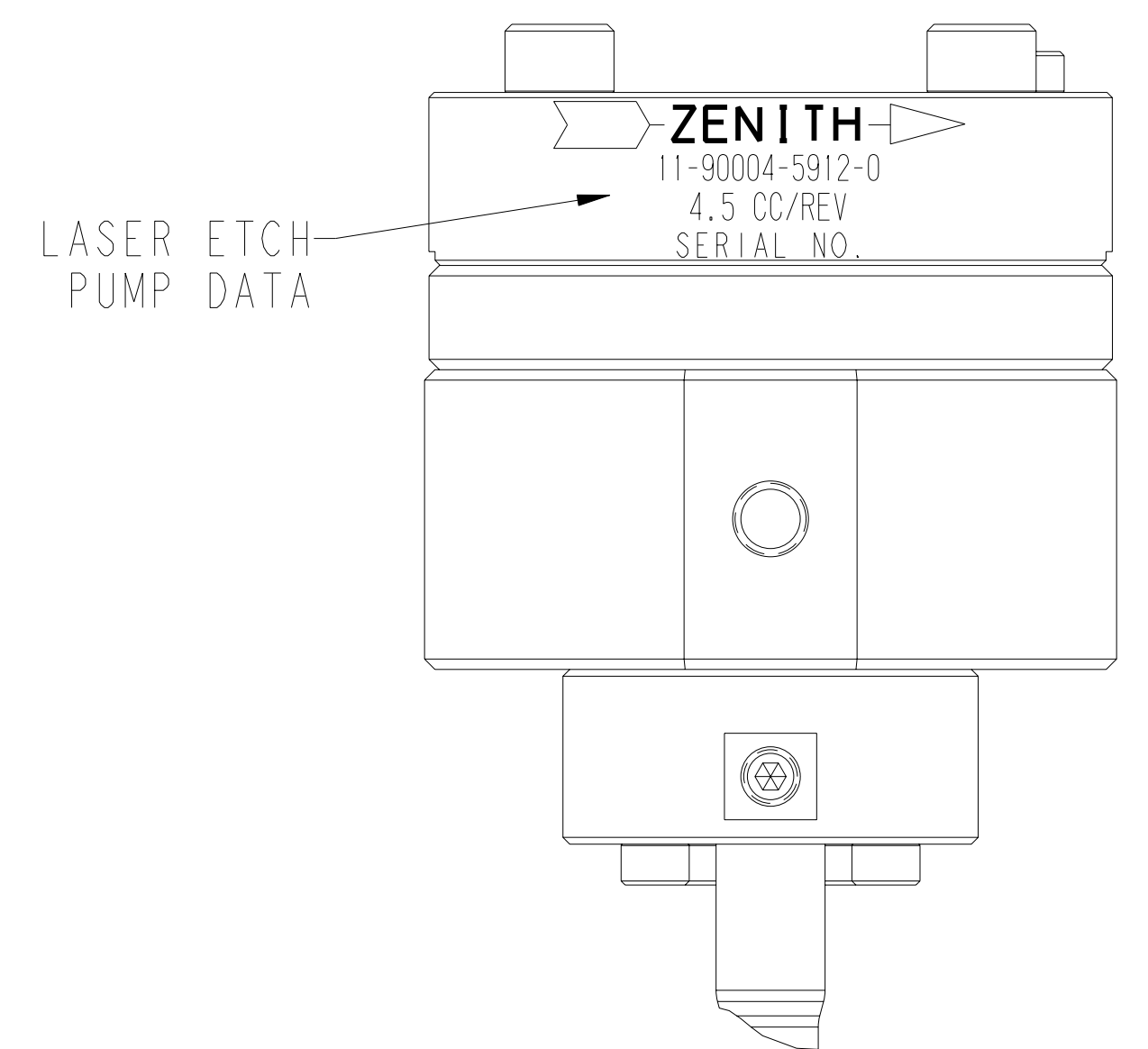
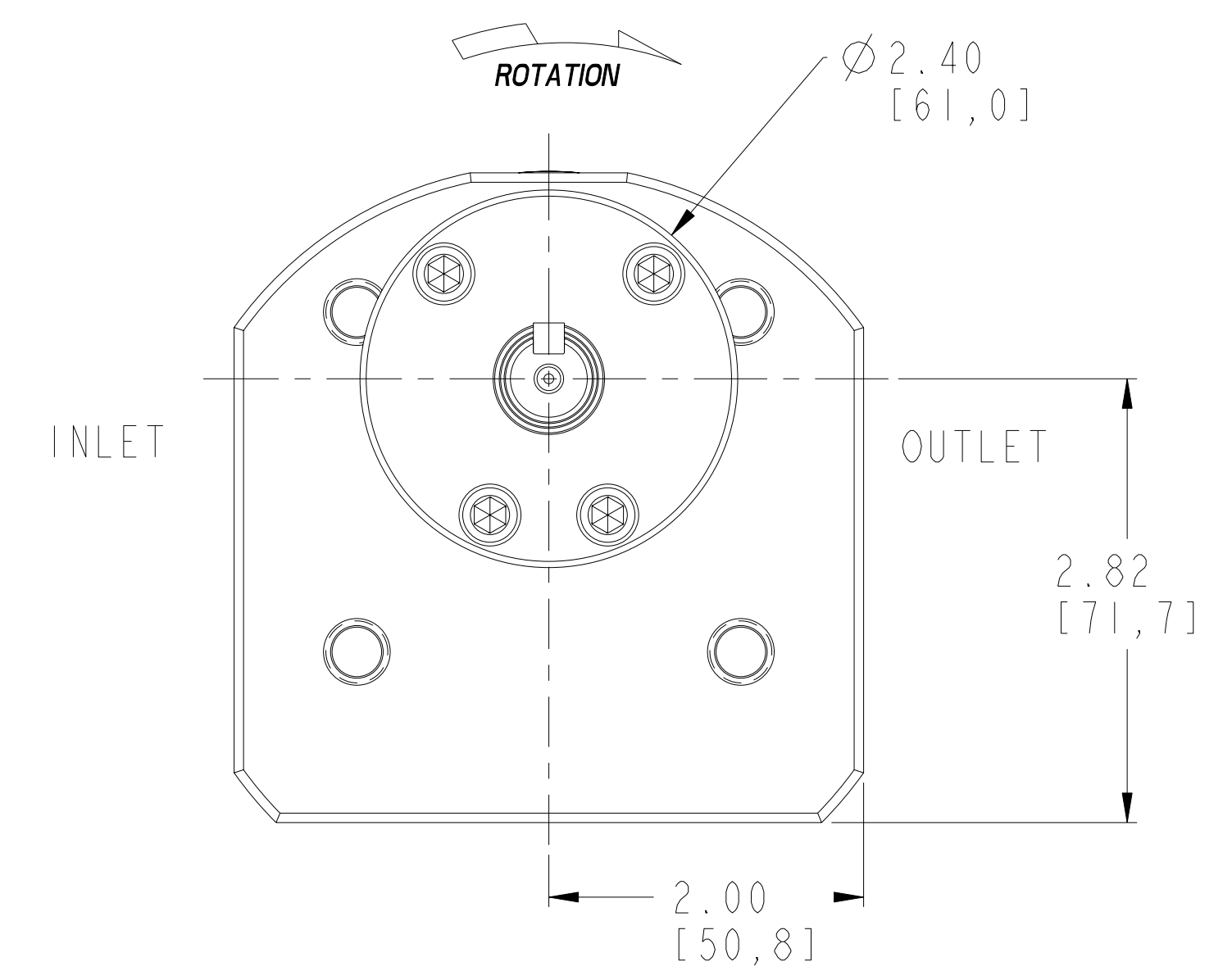
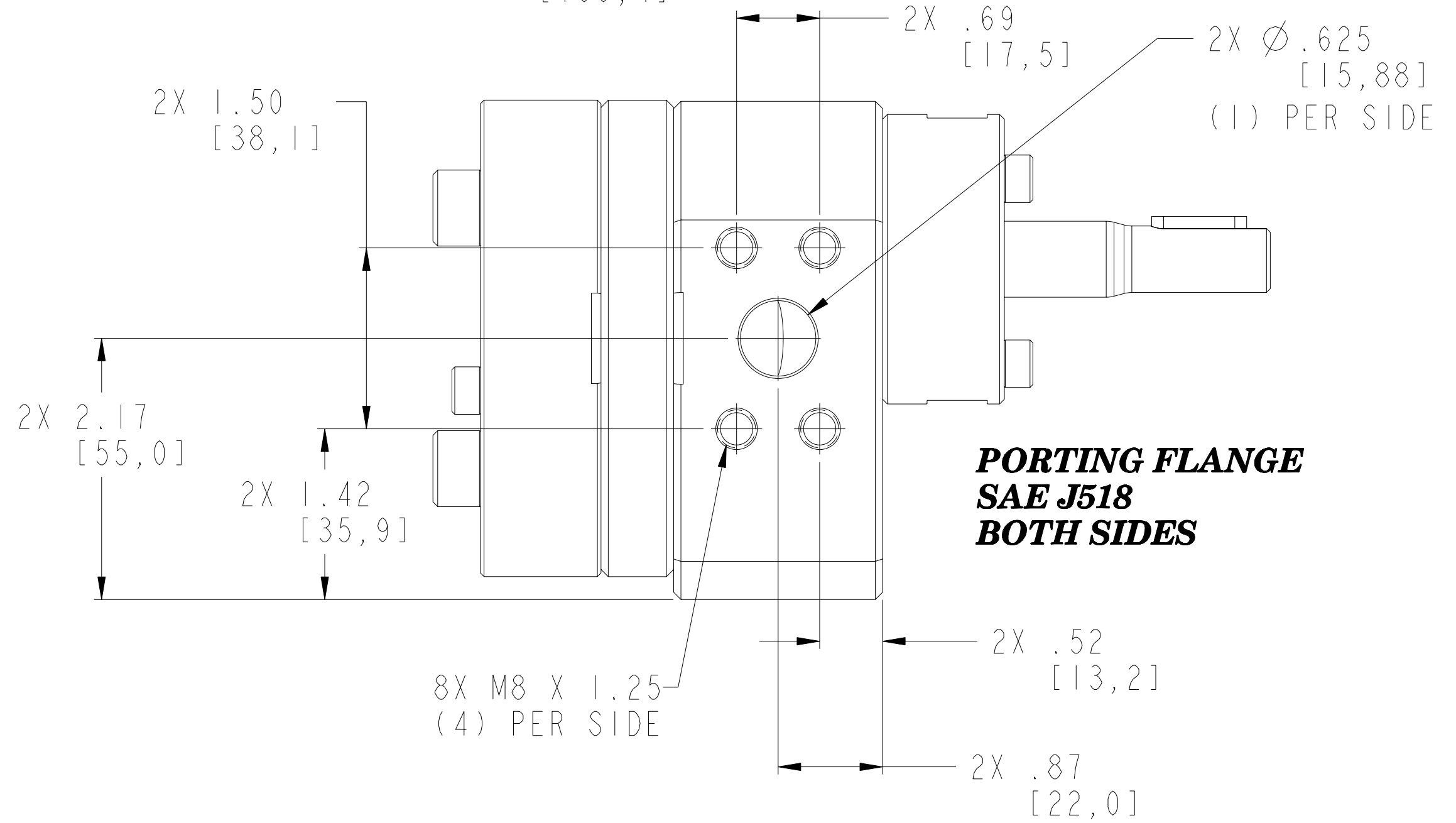
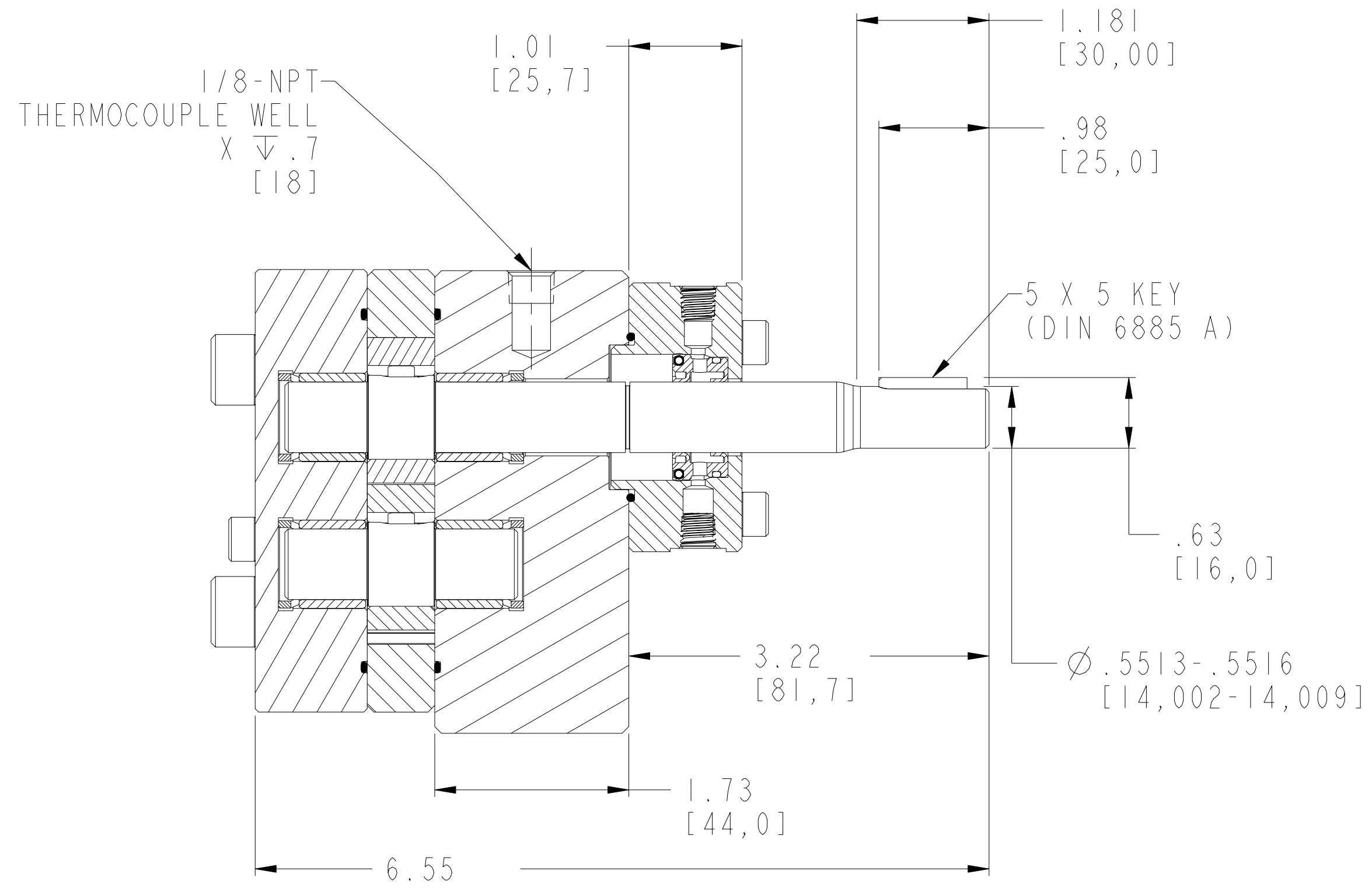
REVISIONS			
LTR	DESCRIPTION	DATE	ECN NO.
A	PLUG WAS 18-73000-0007-1	07/26/07	128-2007



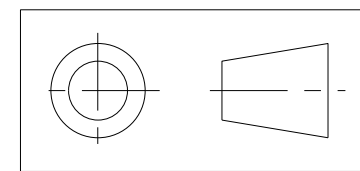
SECTION B-B



SECTION A-A



INTERPRET PER ASME-Y14.5M 1994



TORQUE CHART
M6 BOLTS LUBRICATED = 70 lb.-in. (7.9 N-m)
M10 BOLTS LUBRICATED = 335 lb.-in. (37.8 N-m)
M8 BOLTS (FLANGE) LUBRICATED = 169 lb.-in. (19.1 N-m)
M12 BOLTS (MOUNTING) LUBRICATED = 580 lb.-in. (66.0 N-m)

THIS DOCUMENT CONTAINS INFORMATION THAT IS CONFIDENTIAL AND PROPRIETARY TO ZENITH PUMPS, COLFAX CORPORATION "COLFAX". THIS DOCUMENT IS FURNISHED ON THE UNDERSTANDING THAT THE DOCUMENT AND THE INFORMATION IT CONTAINS WILL NOT BE COPIED OR DISCLOSED TO OTHERS OR USED FOR ANY PURPOSE OTHER THAN CONDUCTING BUSINESS WITH COLFAX, AND WILL BE RETURNED AND ALL FURTHER USE DISCONTINUED UPON REQUEST BY COLFAX.

UNLESS OTHERWISE SPECIFIED DIMENSIONS ARE IN INCH TOLERANCES
 .XX ± 0.01
 .XXX ± 0.005
 ANG ± 0.5

MATERIAL SEE BILL OF MATERIAL

DRAWN MBR 04/30/04
 CHECKED
 PART WEIGHT = 48.339 LBS
 SURFACE AREA = 371.839 IN²
 MODEL NUMBER = 119000459120
 DRAWING = 119000459120
 PRO/ENGINEER DRAWING SIZE D

ZENITH PUMPS
 5910 ELWIN BUCHANAN DRIVE
 SANFORD, NC 27330

zenith Pumps

C-9000 4.5 CC/REV RAN 912
 SINGLE STREAM PUMP

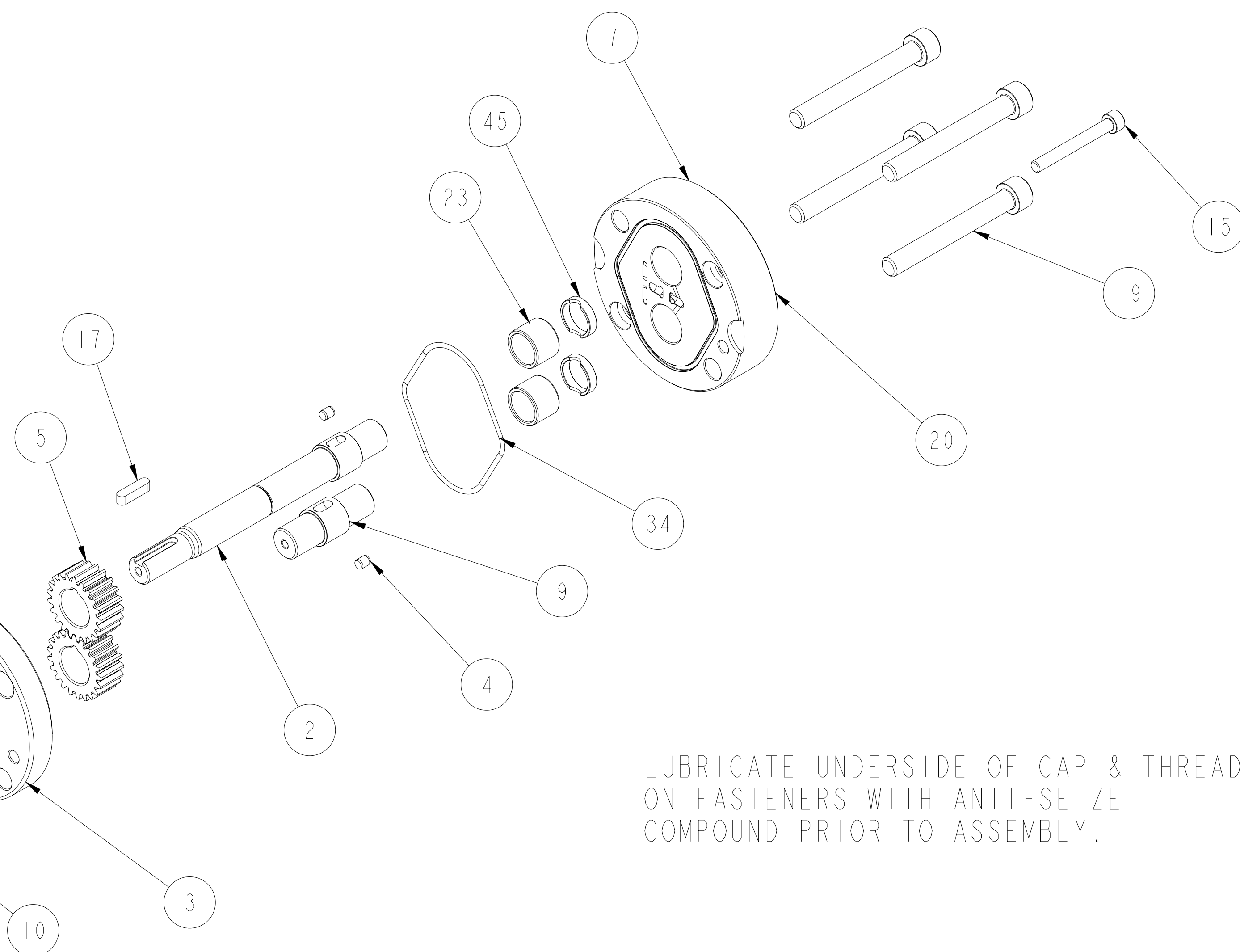
SCALE 1:1
 SHEET 1 OF 3

DRAWING NUMBER
 11-90004-5912-0

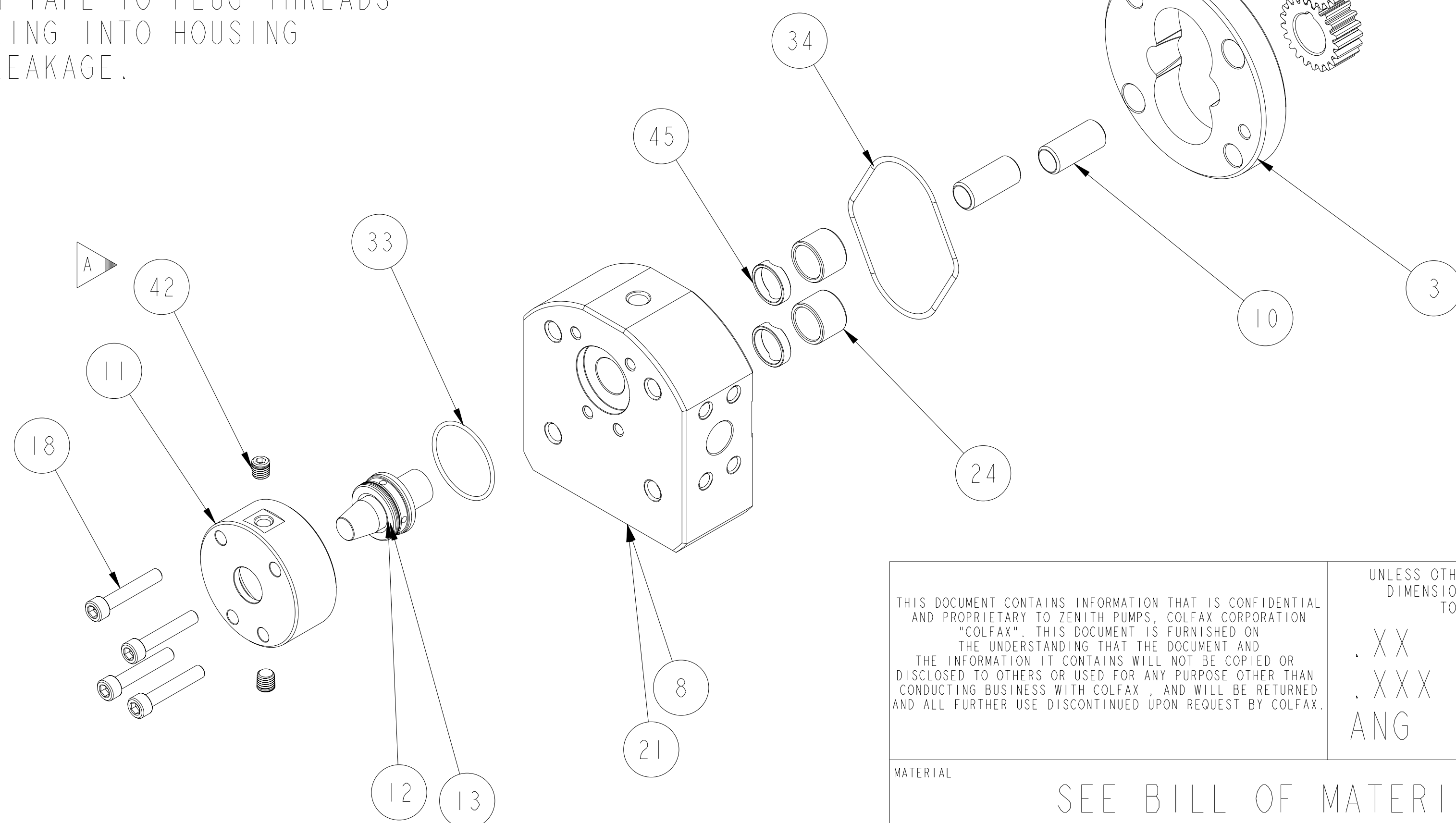
ITEM No.	PART NUMBER	PART NAME	MATERIAL	QTY
	119000459120	C-9000 4.5 CC/REV RAN 912		1
8	146945200174	ASSEMBLY, FRONT PLATE		1
21	156945200384	PLATE, FRONT	ZP1222	1
45	150752000061	BUSHING, SPACER	316 S.S.	2
24	150453100091	BEARING, SLEEVE	ZP1186	2
5	152521900242	GEAR, DRIVING	ZP2724	2
2	157956800732	SHAFT, DRIVE	ZP2724	1
4	185600800361	KEY, ROUND	303 SS	2
9	150115600392	ARBOR	ZP2724	1
10	151609100591	DOWEL, HOLLOW	17-4PH	2
3	156925100564	PLATE, GEAR	ZP1222	1
7	146915100162	ASSEMBLY, REAR PLATE		1
20	156915100374	PLATE, REAR	ZP1222	1
45	150752000061	BUSHING, SPACER	316 S.S.	2
23	150453100091	BEARING, SLEEVE	ZP1186	2
34	187650402761	O-RING	PTFE ENCAPSULATED FLUOROCARBON	2
11	155401901031	HOUSING, LIP SEAL	316 S.S.	1
33	187650401891_INV	O-RING	PTFE ENCAPSULATED FLUOROCARBON	1
17	185600800051	KEY, SQUARE	STEEL 50-1 K	1
19	189341010802	SHCS M10X1.5 X 80 MM 316 SS		4
15	189340610502	SHCS M6X1 X 50MM 316 SS		1
18	189340610352	SHCS M6X1 X 35MM 316 SS		4
42	187300000161	PLUG, DRYSEAL TYPE	316 S.S.	2
12	147900400062	SUB-ASSEMBLY, ASSY INSTRUCTION		1
41	150013100652	SEAL ASSEMBLY TOOL	ACETAL COPOLYMER	1
13	187900401381	TANDEM LIP SEAL	CARB. FIBER FILLED PTFE	1

REVISIONS			
LTR	DESCRIPTION	DATE	ECN NO.
A	PLUG WAS 18-73000-0007-1	07/26/07	128-2007

LUBRICATE ALL O-RINGS ON LIP SEAL WITH PARKER O-RING LUBE OR EQUIVALENT, PRIOR TO INSTALLING INTO HOUSING.

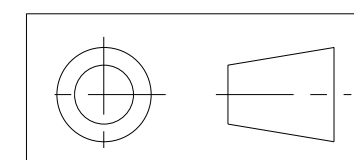



APPLY TEFLON TAPE TO PLUG THREADS WHEN ASSEMBLING INTO HOUSING TO PREVENT LEAKAGE.



LUBRICATE UNDERSIDE OF CAP & THREADS ON FASTENERS WITH ANTI-SEIZE COMPOUND PRIOR TO ASSEMBLY.

INTERPRET PER ASME-Y14.5M 1994

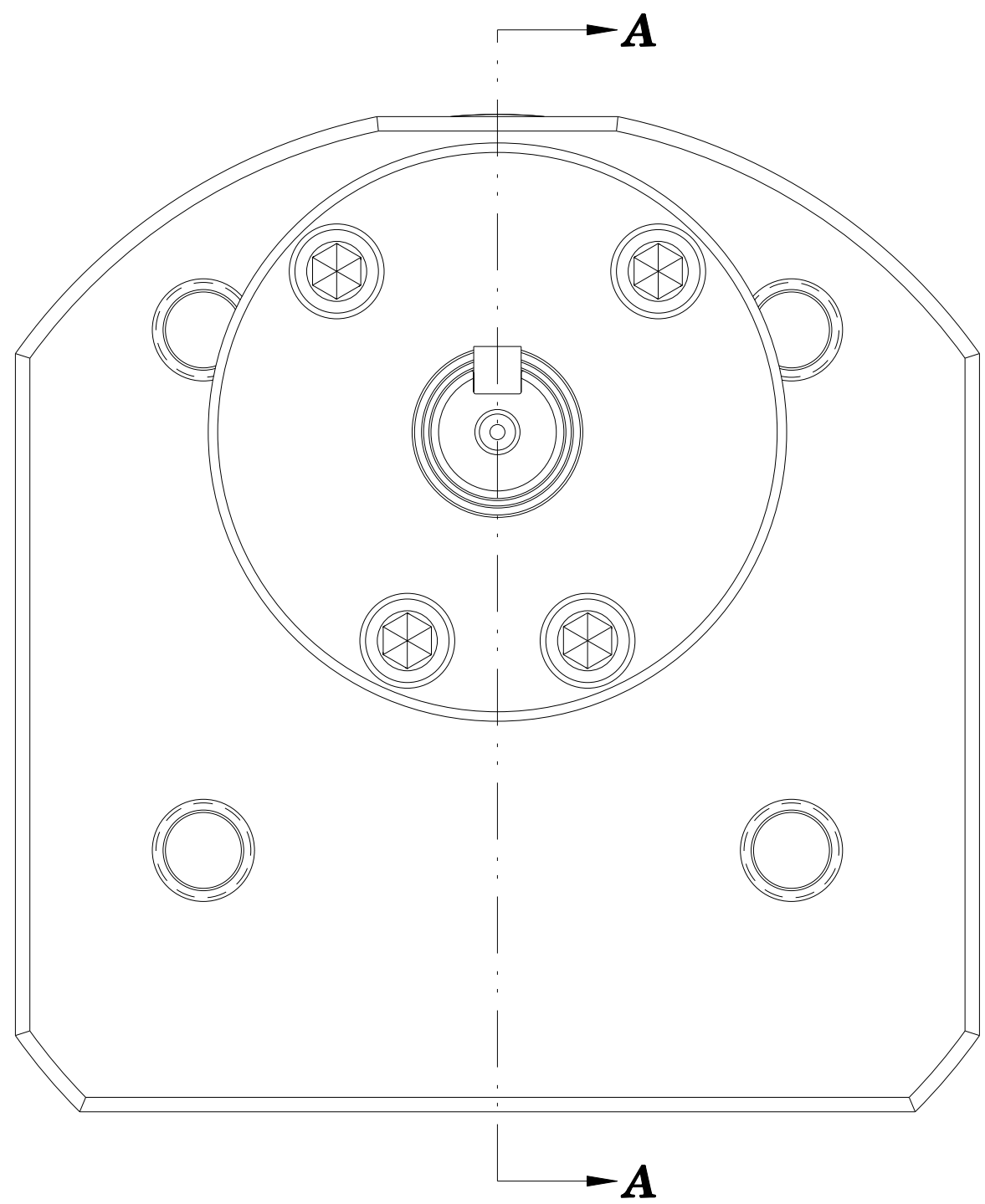
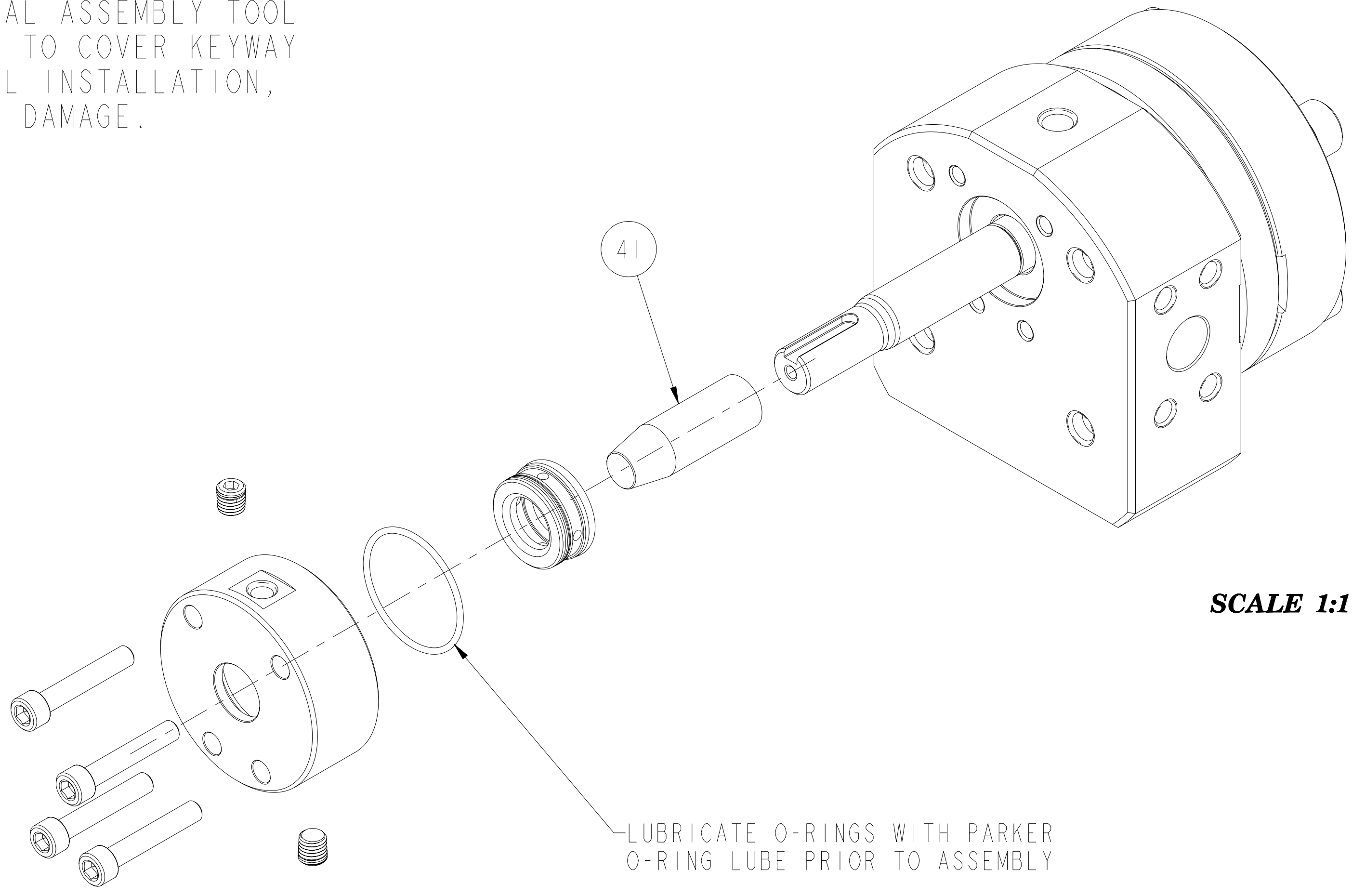
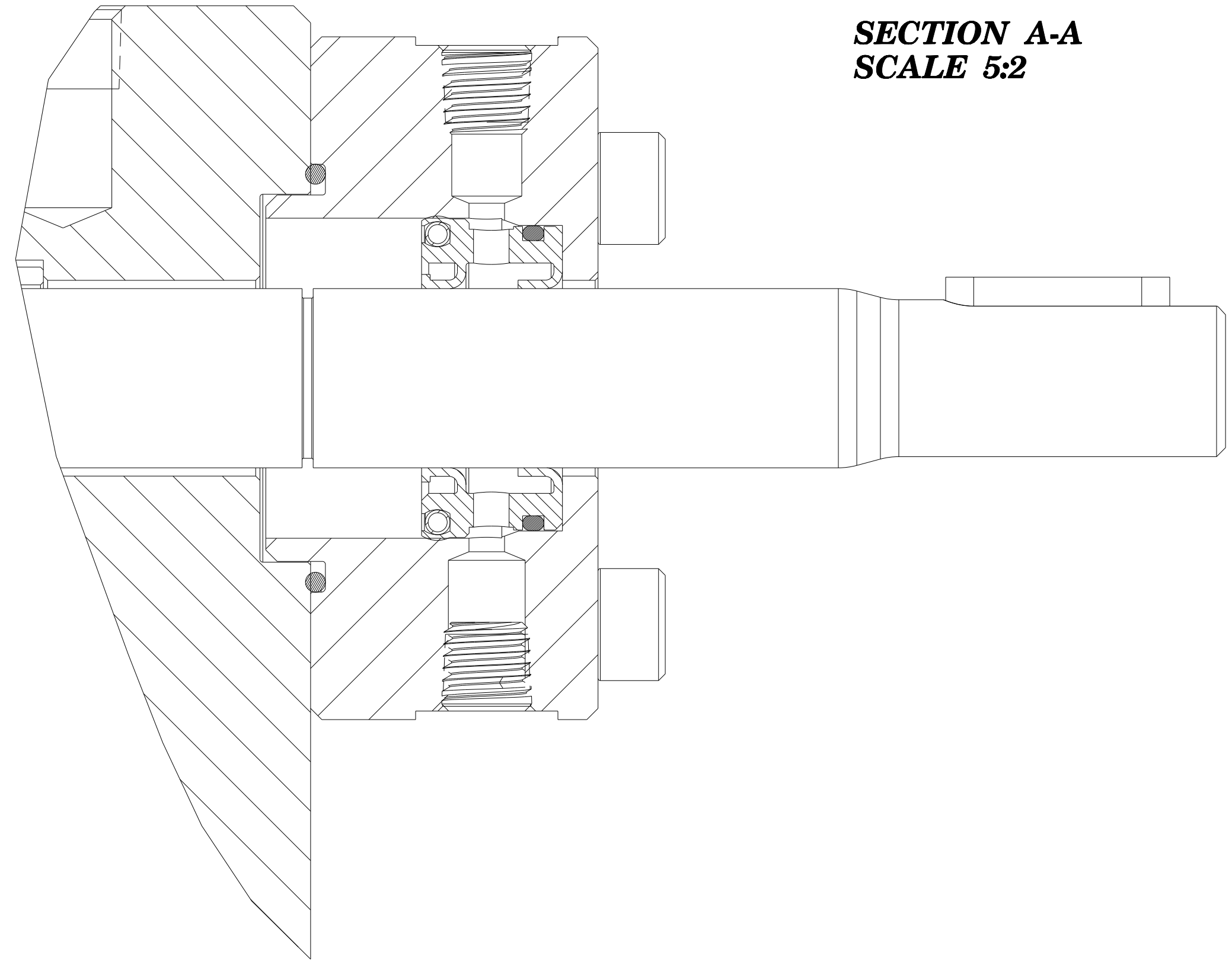


<small>THIS DOCUMENT CONTAINS INFORMATION THAT IS CONFIDENTIAL AND PROPRIETARY TO ZENITH PUMPS, COLFAX CORPORATION "COLFAX". THIS DOCUMENT IS FURNISHED ON THE UNDERSTANDING THAT THE DOCUMENT AND THE INFORMATION IT CONTAINS WILL NOT BE COPIED OR DISCLOSED TO OTHERS OR USED FOR ANY PURPOSE OTHER THAN CONDUCTING BUSINESS WITH COLFAX, AND WILL BE RETURNED AND ALL FURTHER USE DISCONTINUED UPON REQUEST BY COLFAX.</small>	<small>UNLESS OTHERWISE SPECIFIED DIMENSIONS ARE IN INCH TOLERANCES</small> XX ± 0.01 XXX ± 0.005 ANG ± 0.5	DRAWN MBR 04/30/04 CHECKED PART WEIGHT = 48.339 LBS SURFACE AREA = 371.839 IN ²	 ZENITH PUMPS 5910 ELWIN BUCHANAN DRIVE SANFORD, NC 27330
	MATERIAL SEE BILL OF MATERIAL	MODEL NUMBER = 119000459120 DRAWING = 119000459120 PRO/ENGINEER DRAWING SIZE D	


REVISIONS			
LTR	DESCRIPTION	DATE	ECN NO.
A	PLUG WAS 18-73000-0007-1	07/26/07	128-2007

LUBRICATE UNDERSIDE OF CAP & THREADS ON FASTENERS WITH ANTI-SEIZE COMPOUND PRIOR TO ASSEMBLY.

INSTALL SEAL ASSEMBLY TOOL ONTO SHAFT TO COVER KEYWAY DURING SEAL INSTALLATION, TO PREVENT DAMAGE.



INTERPRET PER ASME-Y14.5M 1994

<small>THIS DOCUMENT CONTAINS INFORMATION THAT IS CONFIDENTIAL AND PROPRIETARY TO ZENITH PUMPS, COLFAX CORPORATION "COLFAX". THIS DOCUMENT IS FURNISHED ON THE UNDERSTANDING THAT THE DOCUMENT AND THE INFORMATION IT CONTAINS WILL NOT BE COPIED OR DISCLOSED TO OTHERS OR USED FOR ANY PURPOSE OTHER THAN CONDUCTING BUSINESS WITH COLFAX, AND WILL BE RETURNED AND ALL FURTHER USE DISCONTINUED UPON REQUEST BY COLFAX.</small>	<small>UNLESS OTHERWISE SPECIFIED DIMENSIONS ARE IN INCH TOLERANCES</small> .XX ± 0.01 .XXX ± 0.005 ANG ± 0.5	DRAWN MBR 04/30/04	 ZENITH PUMPS 5910 ELWIN BUCHANAN DRIVE SANFORD, NC 27330
		CHECKED	
MATERIAL SEE BILL OF MATERIAL		MODEL NUMBER = 119000459120 DRAWING = 119000459120	C-9000 4.5 CC/REV RAN 912 SINGLE STREAM PUMP
		PRO/ENGINEER DRAWING SIZE D	SCALE 3:2 SHEET 3 OF 3 DRAWING NUMBER 11-90004-5912-0