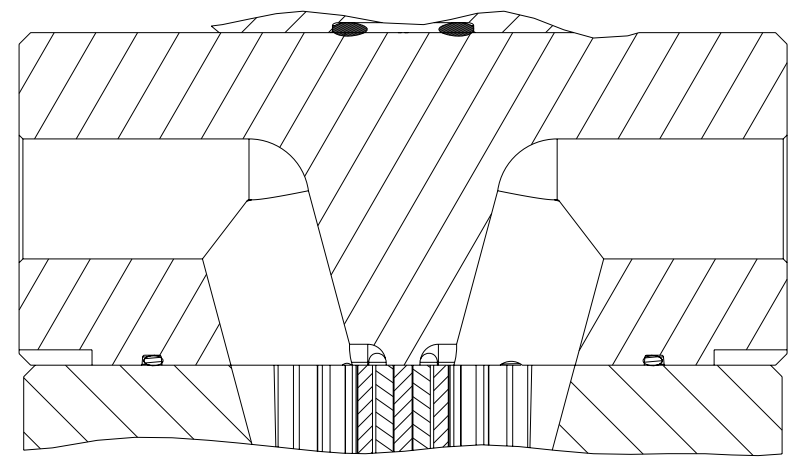
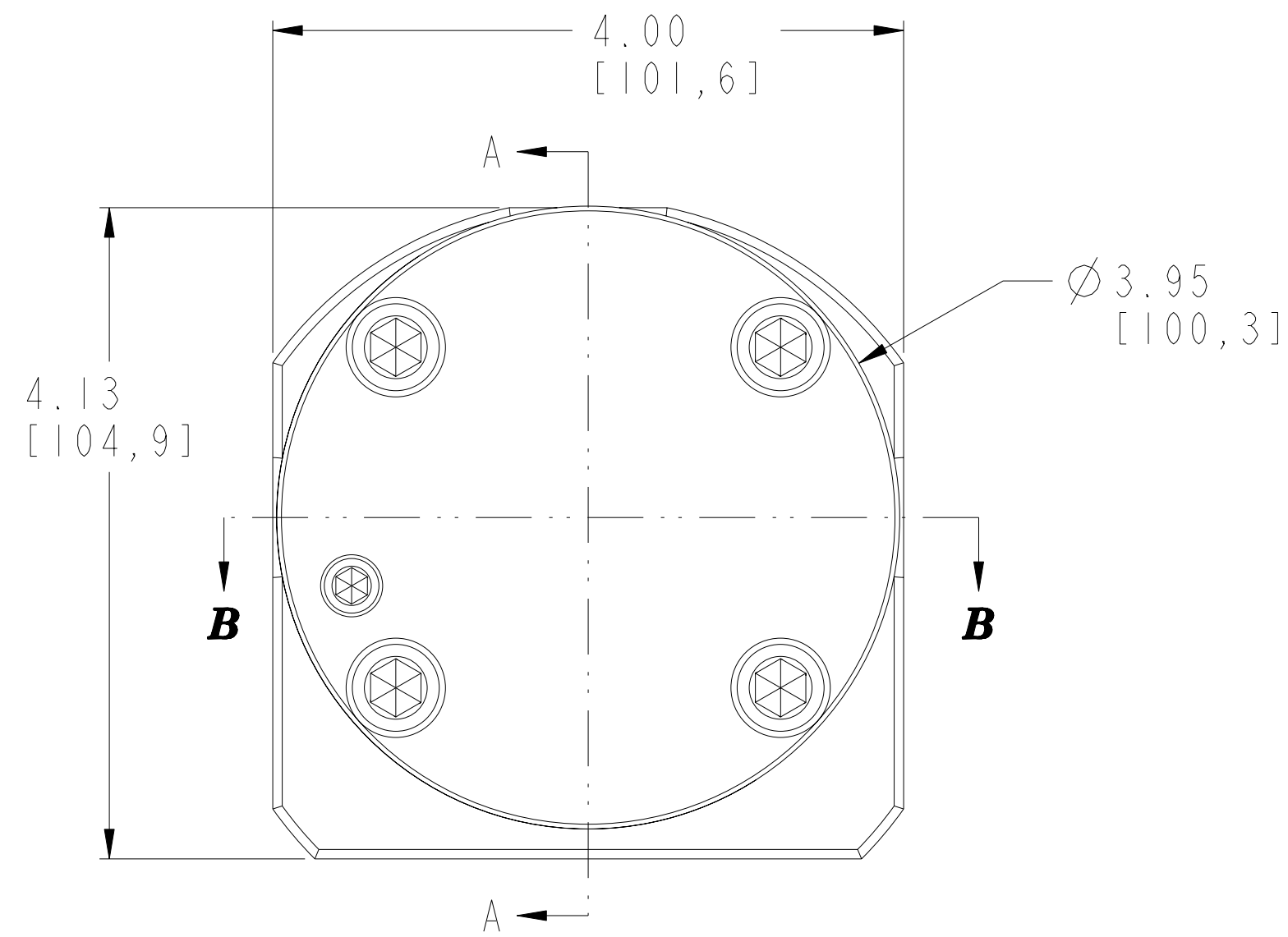


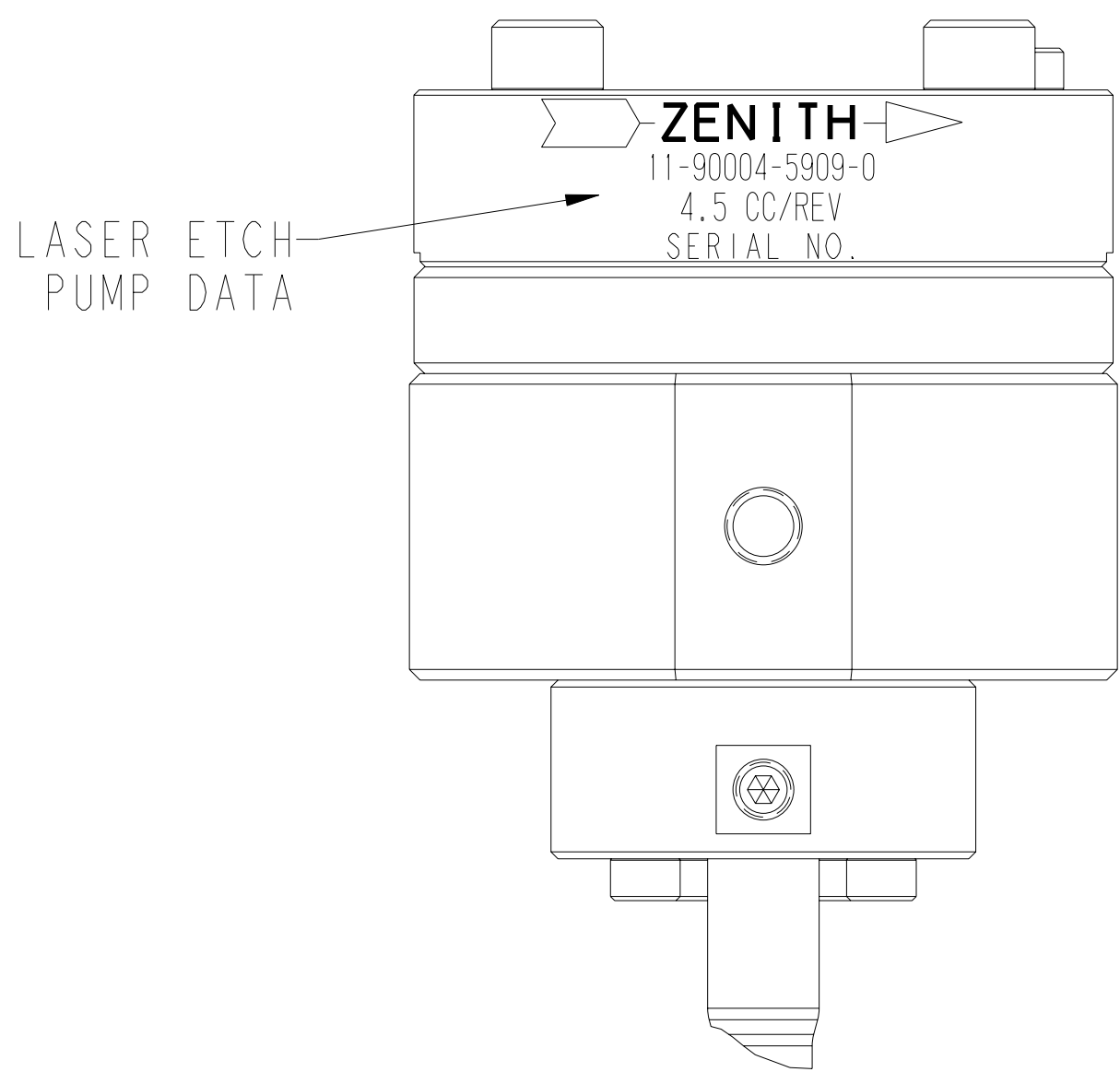
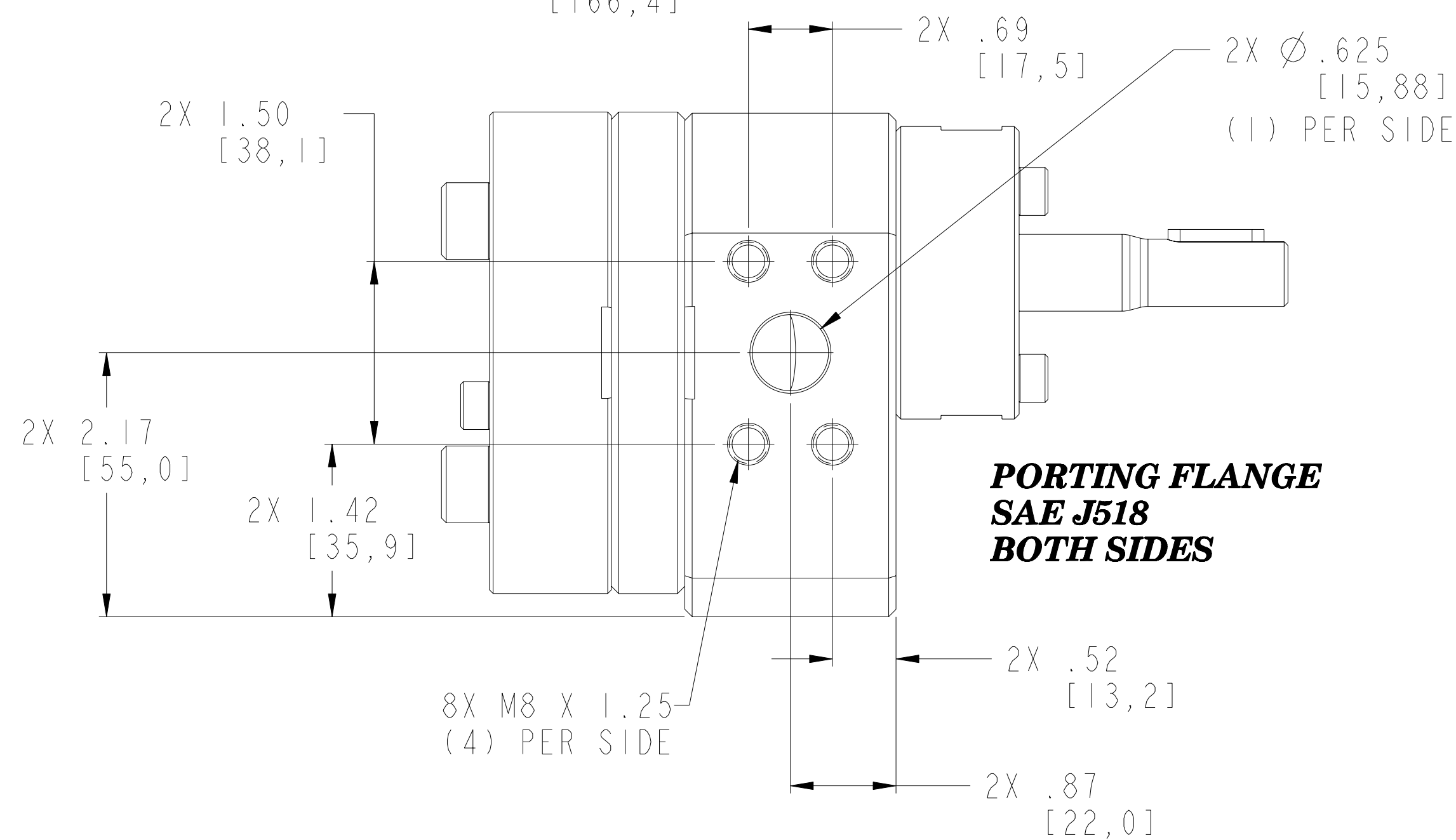
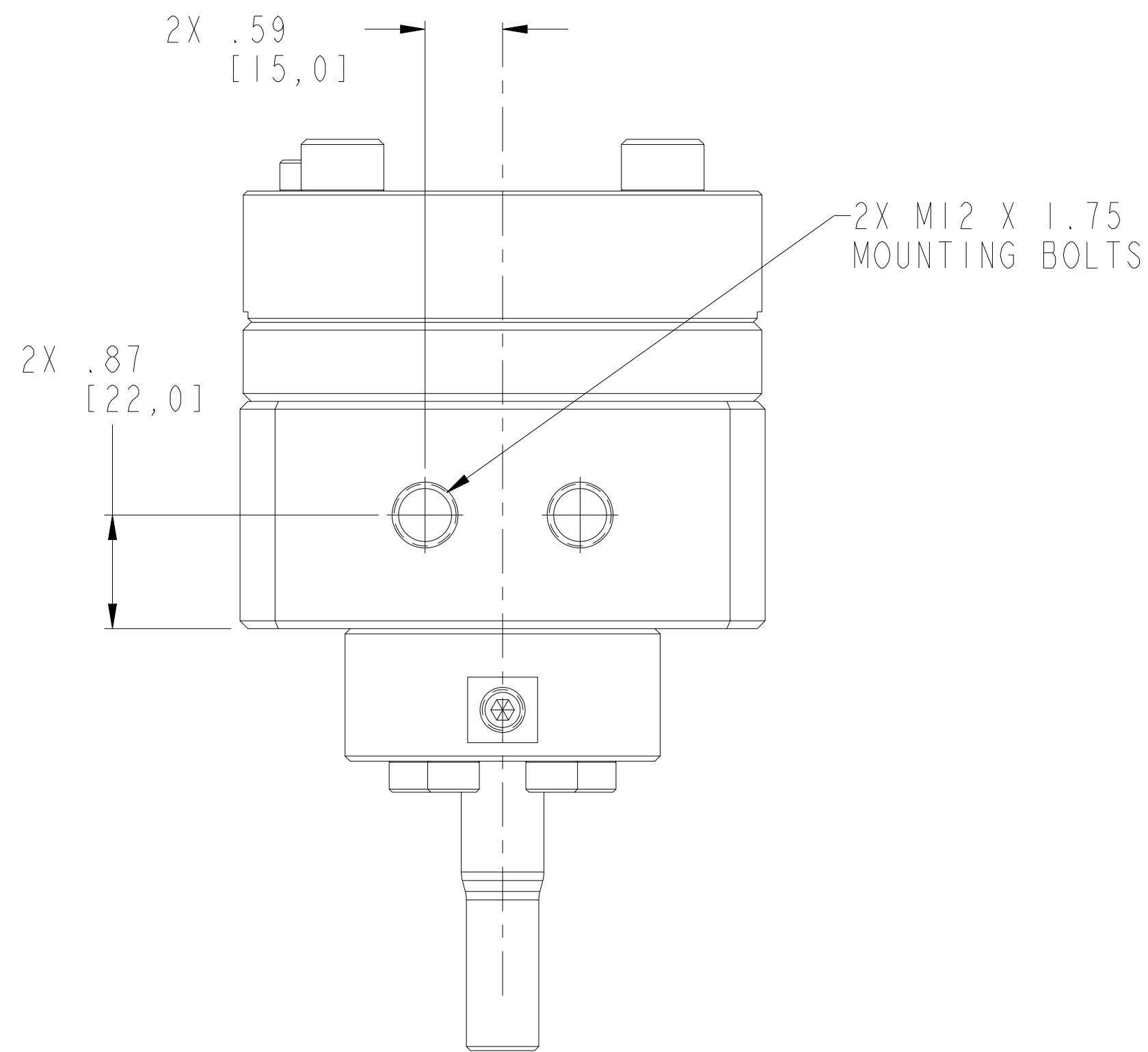
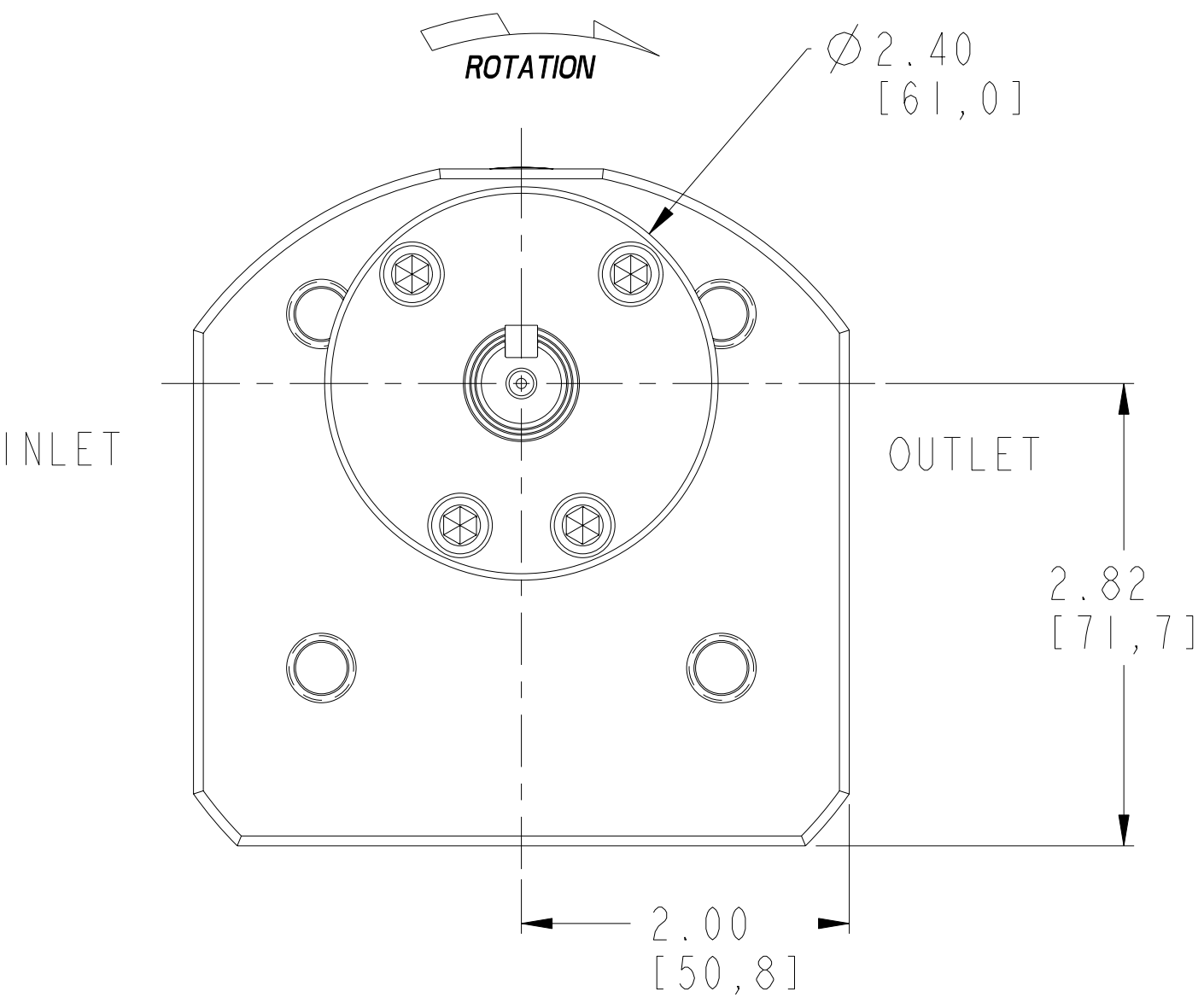
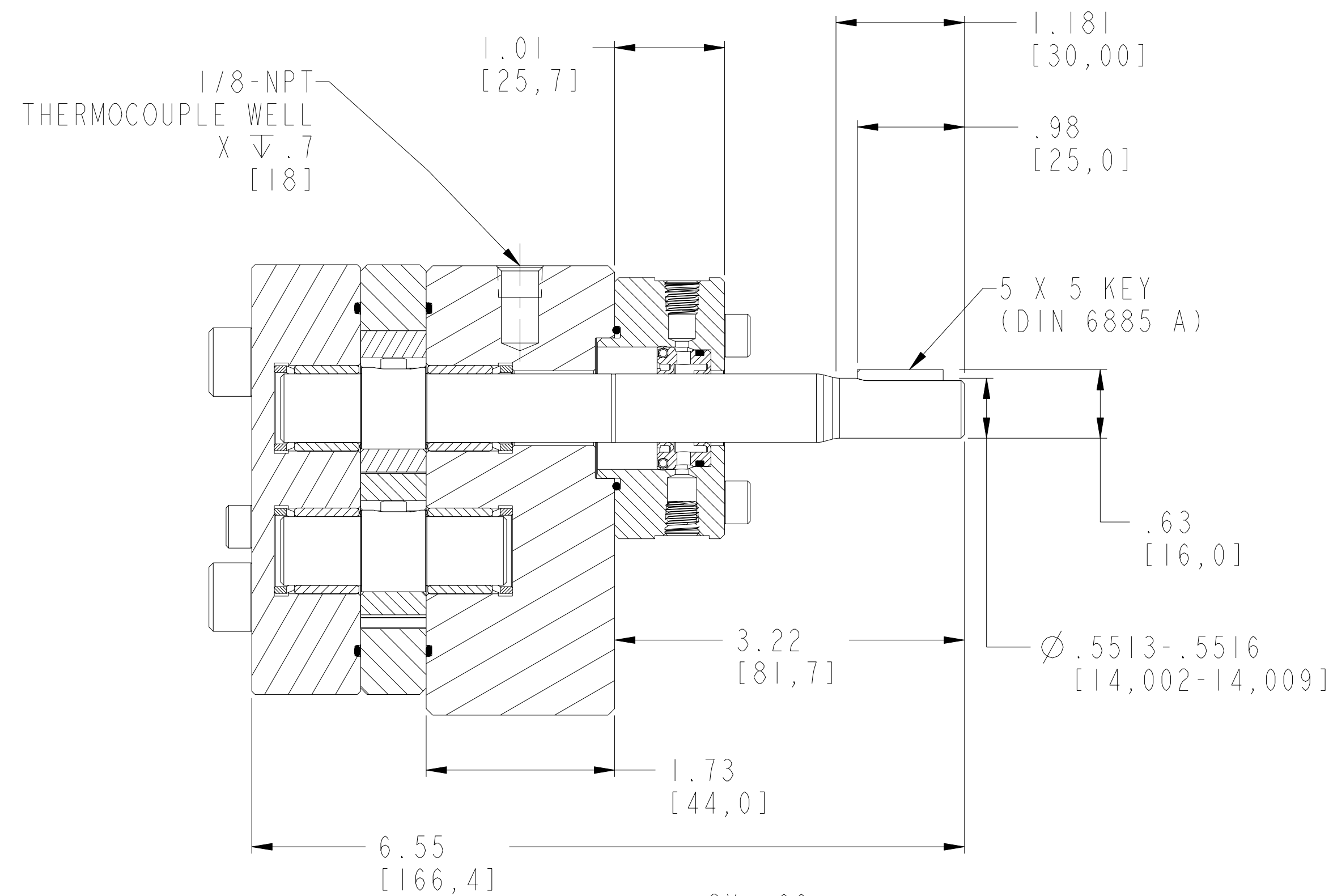
REVISIONS			
LTR	DESCRIPTION	DATE	ECN NO.
A	PLUG WAS 18-73000-0007-1	07/26/07	128-2007



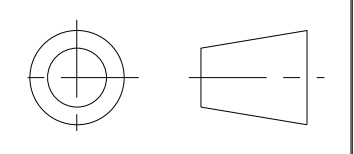
SECTION B-B



SECTION A-A



INTERPRET PER ASME-Y14.5M 1994



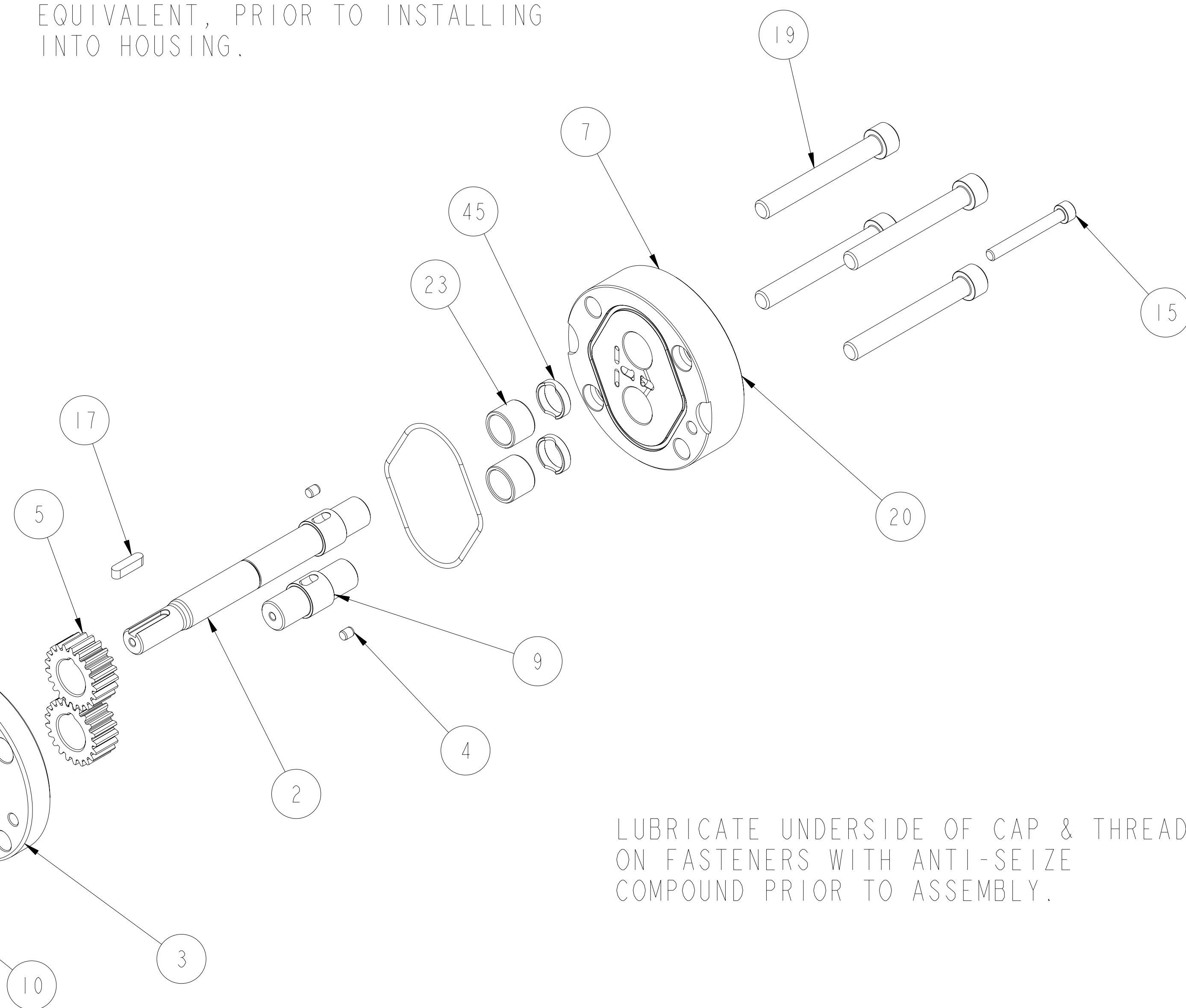
TORQUE CHART
M6 BOLTS LUBRICATED = 70 lb.-in. (7.9 N-m)
M10 BOLTS LUBRICATED = 335 lb.-in. (37.8 N-m)
M8 BOLTS (FLANGE) LUBRICATED = 169 lb.-in. (19.1 N-m)
M12 BOLTS (MOUNTING) LUBRICATED = 580 lb.-in. (66.0 N-m)

THIS DOCUMENT CONTAINS INFORMATION THAT IS CONFIDENTIAL AND PROPRIETARY TO ZENITH PUMPS, COLFAX CORPORATION "COLFAX". THIS DOCUMENT IS FURNISHED ON THE UNDERSTANDING THAT THE DOCUMENT AND THE INFORMATION IT CONTAINS WILL NOT BE COPIED OR DISCLOSED TO OTHERS OR USED FOR ANY PURPOSE OTHER THAN CONDUCTING BUSINESS WITH COLFAX, AND WILL BE RETURNED AND ALL FURTHER USE DISCONTINUED UPON REQUEST BY COLFAX.	UNLESS OTHERWISE SPECIFIED DIMENSIONS ARE IN INCH TOLERANCES .XX ± 0.01 .XXX ± 0.005 ANG ± 0.5	DRAWN JRM 5/23/05 CHECKED	ZENITH PUMPS 5910 ELWIN BUCHANAN DRIVE SANFORD, NC 27330
	MATERIAL SEE BILL OF MATERIAL	PART WEIGHT = 48.339 LBS SURFACE AREA = 371.839 IN ² MODEL NUMBER = 119000459090 DRAWING = 119000459090	
		PRO/ENGINEER DRAWING SIZE D	SCALE 1:1 SHEET 1 OF 3 DRAWING NUMBER 11-90004-5909-0

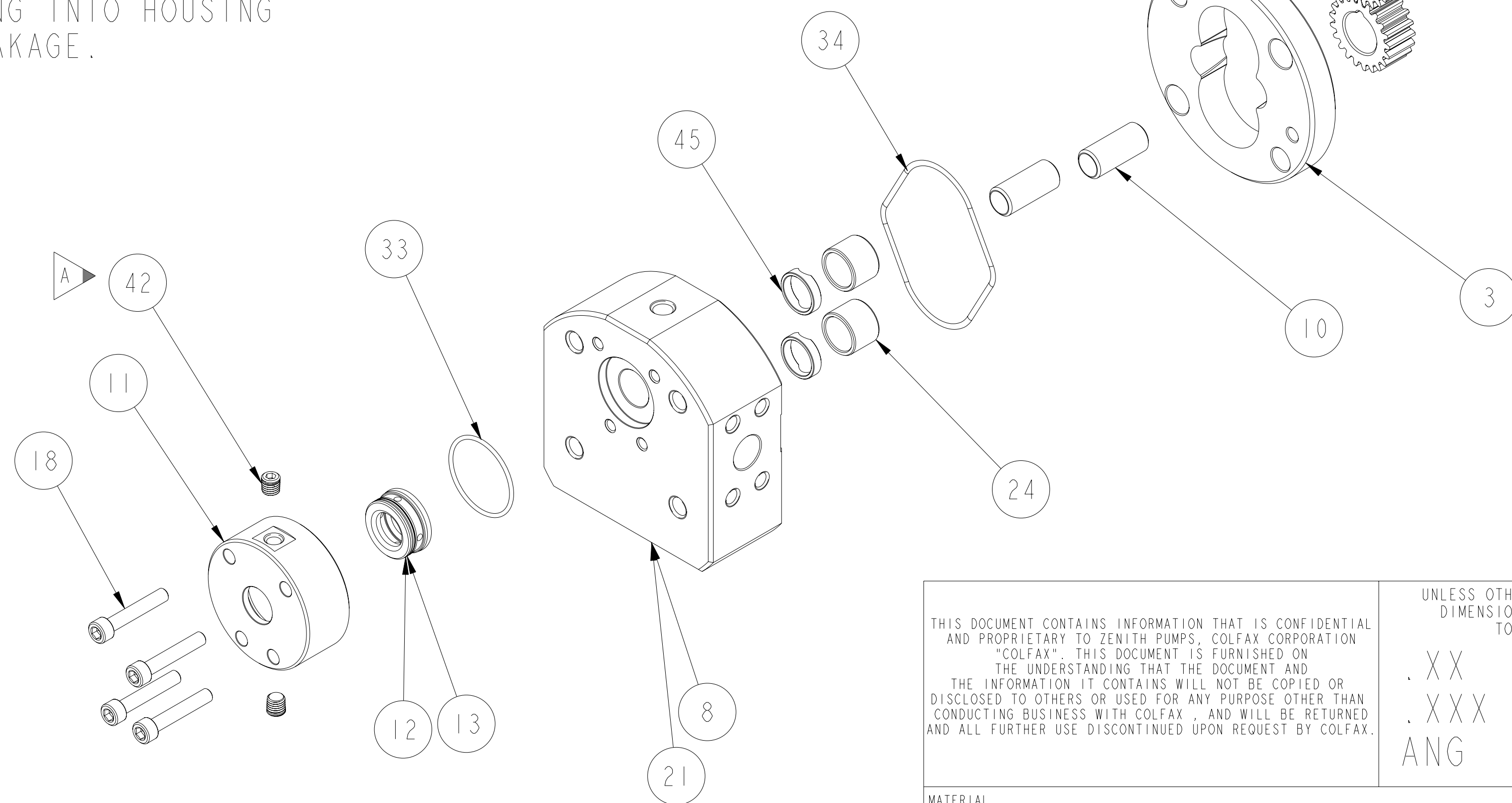
ITEM No.	PART NUMBER	PART NAME	MATERIAL	QTY
	119000459090	C-9000 4.5 CC/REV RAN 909		1
8	146945200174	ASSEMBLY, FRONT PLATE		1
21	156945200384	PLATE, FRONT	ZP1222	1
45	150752000061	BUSHING, SPACER	316 S.S.	2
24	150453100091	BEARING, SLEEVE	ZP1186	2
5	152521900242	GEAR, DRIVING	ZP2724	2
2	157956800732	SHAFT, DRIVE	ZP2724	1
4	185600800361	KEY, ROUND	303 SS	2
9	150115600392	ARBOR	ZP2724	1
10	151609100591	DOWEL, HOLLOW	17-4PH	2
3	156925100564	PLATE, GEAR	ZP1222	1
7	146915100162	ASSEMBLY, REAR PLATE		1
20	156915100374	PLATE, REAR	ZP1222	1
45	150752000061	BUSHING, SPACER	316 S.S.	2
23	150453100091	BEARING, SLEEVE	ZP1186	2
34	187650402761	O-RING	PTFE ENCAPSULATED FLUOROCARBON	2
11	155401901031	HOUSING, LIP SEAL	316 S.S.	1
33	187650401891_INV	O-RING	PTFE ENCAPSULATED FLUOROCARBON	1
17	185600800051	KEY, SQUARE	STEEL 50-1 K	1
19	189341010802	SHCS M10X1.5 X 80 MM 316 SS		4
15	189340610502	SHCS M6X1 X 50MM 316 SS		1
18	189340610352	SHCS M6X1 X 35MM 316 SS		4
42	187300000161	PLUG, DRYSEAL TYPE	316 S.S.	2
12	147900400182	ASSEMBLY, LIP SEAL & TOOL		1
41	150013100652	SEAL ASSEMBLY TOOL	ACETAL COPOLYMER	1
13	147900400241	TANDEM LIP SEAL	CARBON FIBER FILLED / KALREZ	1

REVISIONS			
LTR	DESCRIPTION	DATE	ECN NO.
A	PLUG WAS 18-73000-0007-1	07/26/07	128-2007

LUBRICATE ALL O-RINGS ON LIP SEAL WITH PARKER O-RING LUBE OR EQUIVALENT, PRIOR TO INSTALLING INTO HOUSING.

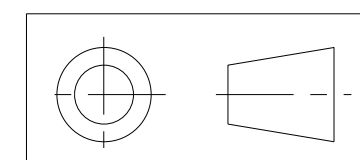



APPLY TEFLON TAPE TO PLUG THREADS WHEN ASSEMBLING INTO HOUSING TO PREVENT LEAKAGE.



LUBRICATE UNDERSIDE OF CAP & THREADS ON FASTENERS WITH ANTI-SEIZE COMPOUND PRIOR TO ASSEMBLY.

INTERPRET PER ASME-Y14.5M 1994

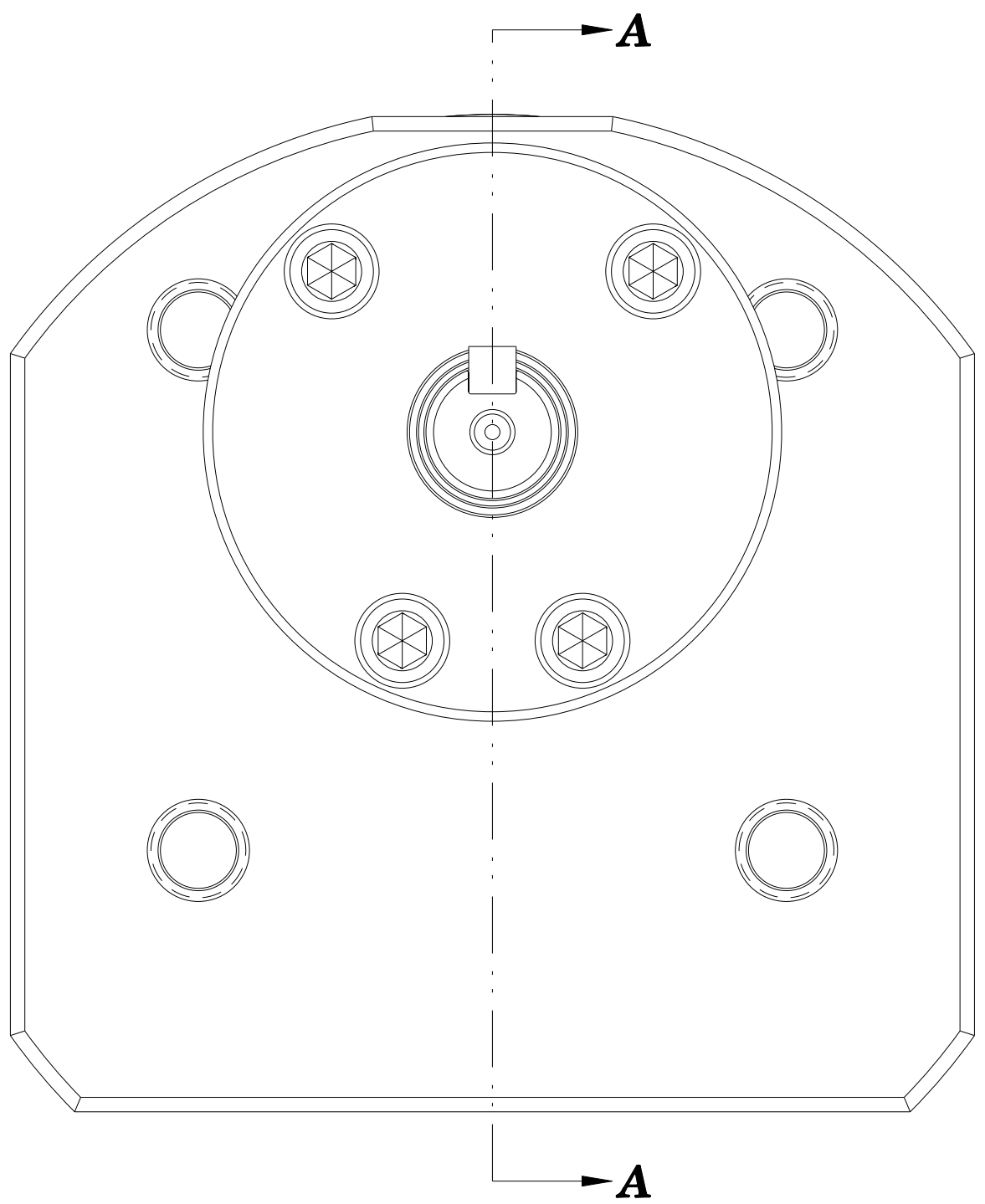
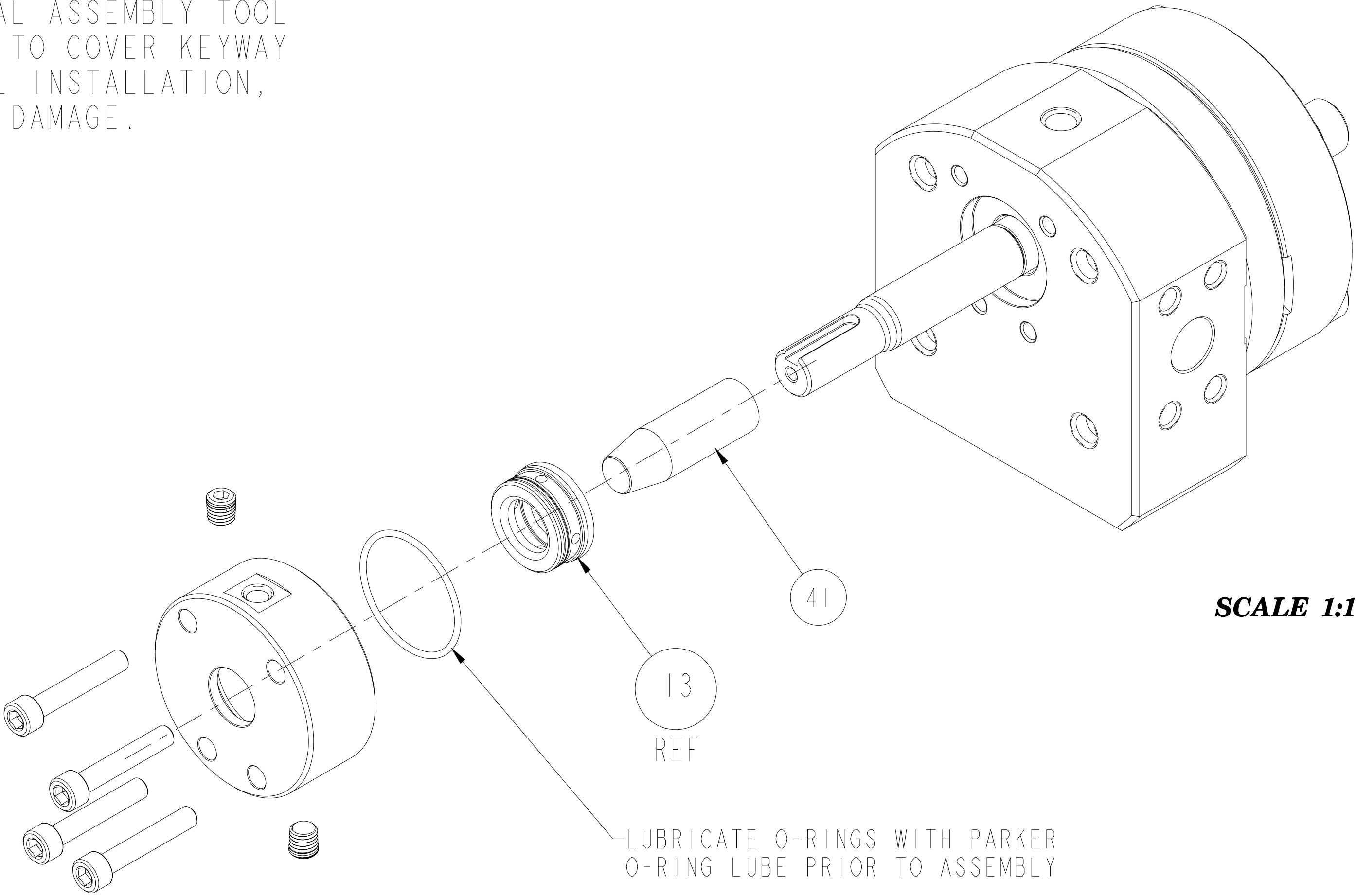
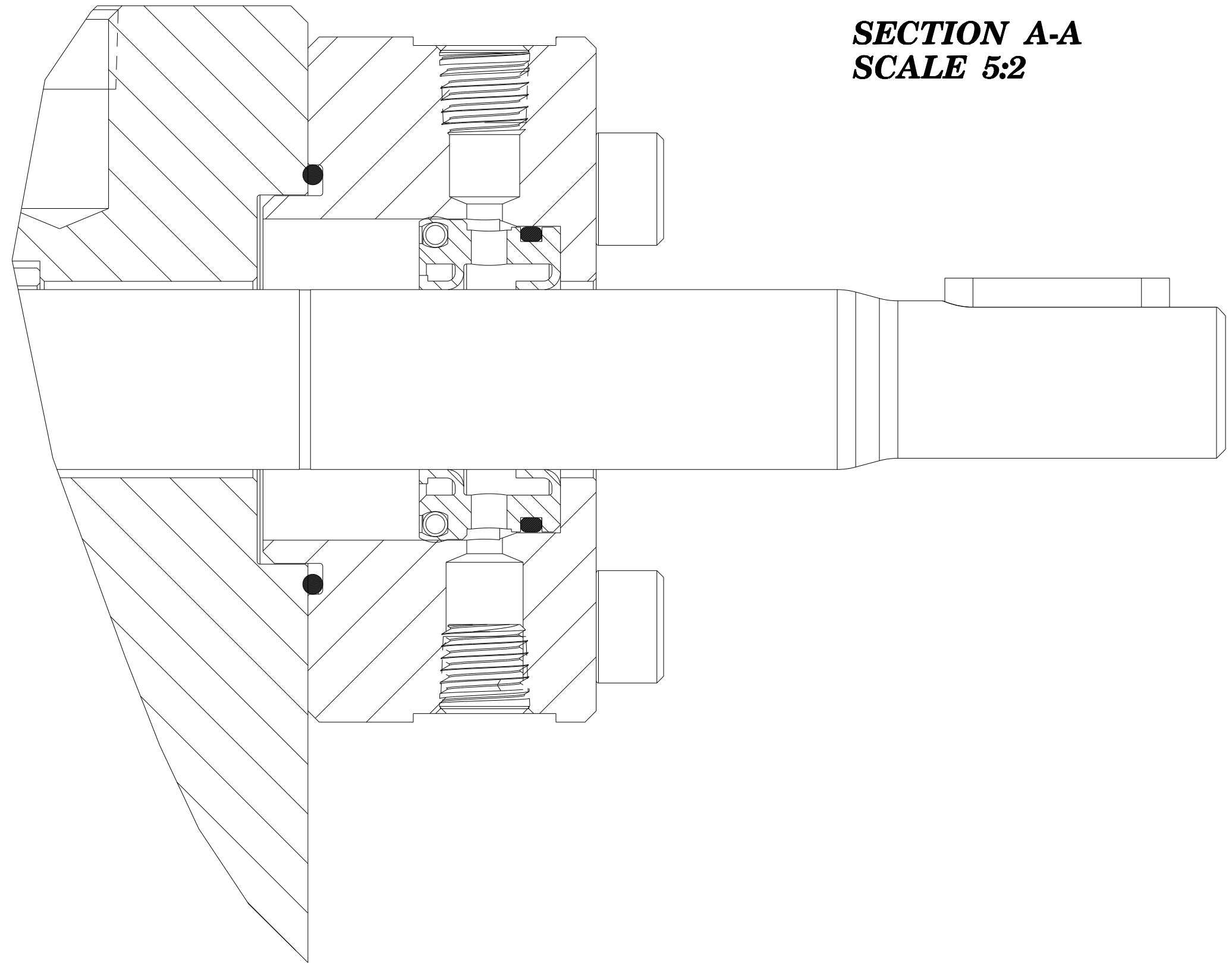


<small>THIS DOCUMENT CONTAINS INFORMATION THAT IS CONFIDENTIAL AND PROPRIETARY TO ZENITH PUMPS, COLFAX CORPORATION "COLFAX". THIS DOCUMENT IS FURNISHED ON THE UNDERSTANDING THAT THE DOCUMENT AND THE INFORMATION IT CONTAINS WILL NOT BE COPIED OR DISCLOSED TO OTHERS OR USED FOR ANY PURPOSE OTHER THAN CONDUCTING BUSINESS WITH COLFAX, AND WILL BE RETURNED AND ALL FURTHER USE DISCONTINUED UPON REQUEST BY COLFAX.</small>	<small>UNLESS OTHERWISE SPECIFIED DIMENSIONS ARE IN INCH TOLERANCES</small> .XX ± 0.01 .XXX ± 0.005 ANG ± 0.5	DRAWN JRM 5/23/05 CHECKED	 ZENITH PUMPS 5910 ELWIN BUCHANAN DRIVE SANFORD, NC 27330
	MATERIAL SEE BILL OF MATERIAL	PART WEIGHT = 48.339 LBS SURFACE AREA = 371.839 IN ² MODEL NUMBER = 119000459090 DRAWING = 119000459090	
		PRO/ENGINEER DRAWING SIZE D	SCALE 5:8 SHEET 2 OF 3
			DRAWING NUMBER 11-90004-5909-0

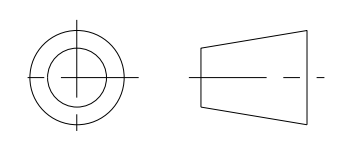
REVISIONS			
LTR	DESCRIPTION	DATE	ECN NO.
A	PLUG WAS 18-73000-0007-1	07/26/07	128-2007


LUBRICATE UNDERSIDE OF CAP & THREADS ON FASTENERS WITH ANTI-SEIZE COMPOUND PRIOR TO ASSEMBLY.

INSTALL SEAL ASSEMBLY TOOL ONTO SHAFT TO COVER KEYWAY DURING SEAL INSTALLATION, TO PREVENT DAMAGE.



INTERPRET PER ASME-Y14.5M 1994



<small>THIS DOCUMENT CONTAINS INFORMATION THAT IS CONFIDENTIAL AND PROPRIETARY TO ZENITH PUMPS, COLFAX CORPORATION "COLFAX". THIS DOCUMENT IS FURNISHED ON THE UNDERSTANDING THAT THE DOCUMENT AND THE INFORMATION IT CONTAINS WILL NOT BE COPIED OR DISCLOSED TO OTHERS OR USED FOR ANY PURPOSE OTHER THAN CONDUCTING BUSINESS WITH COLFAX, AND WILL BE RETURNED AND ALL FURTHER USE DISCONTINUED UPON REQUEST BY COLFAX.</small>	<small>UNLESS OTHERWISE SPECIFIED DIMENSIONS ARE IN INCH TOLERANCES</small> .XX ± 0.01 .XXX ± 0.005 ANG ± 0.5	DRAWN	JRM	5/23/05	 ZENITH PUMPS 5910 ELWIN BUCHANAN DRIVE SANFORD, NC 27330
		CHECKED			
MATERIAL SEE BILL OF MATERIAL		MODEL NUMBER =	119000459090		C-9000 4.5 CC/REV RAN 909 SINGLE STREAM PUMP
		DRAWING =	119000459090		
		PRO/ENGINEER	SIZE	D	SCALE 3:2 SHEET 3 OF 3
		DRAWING			DRAWING NUMBER 11-90004-5909-0