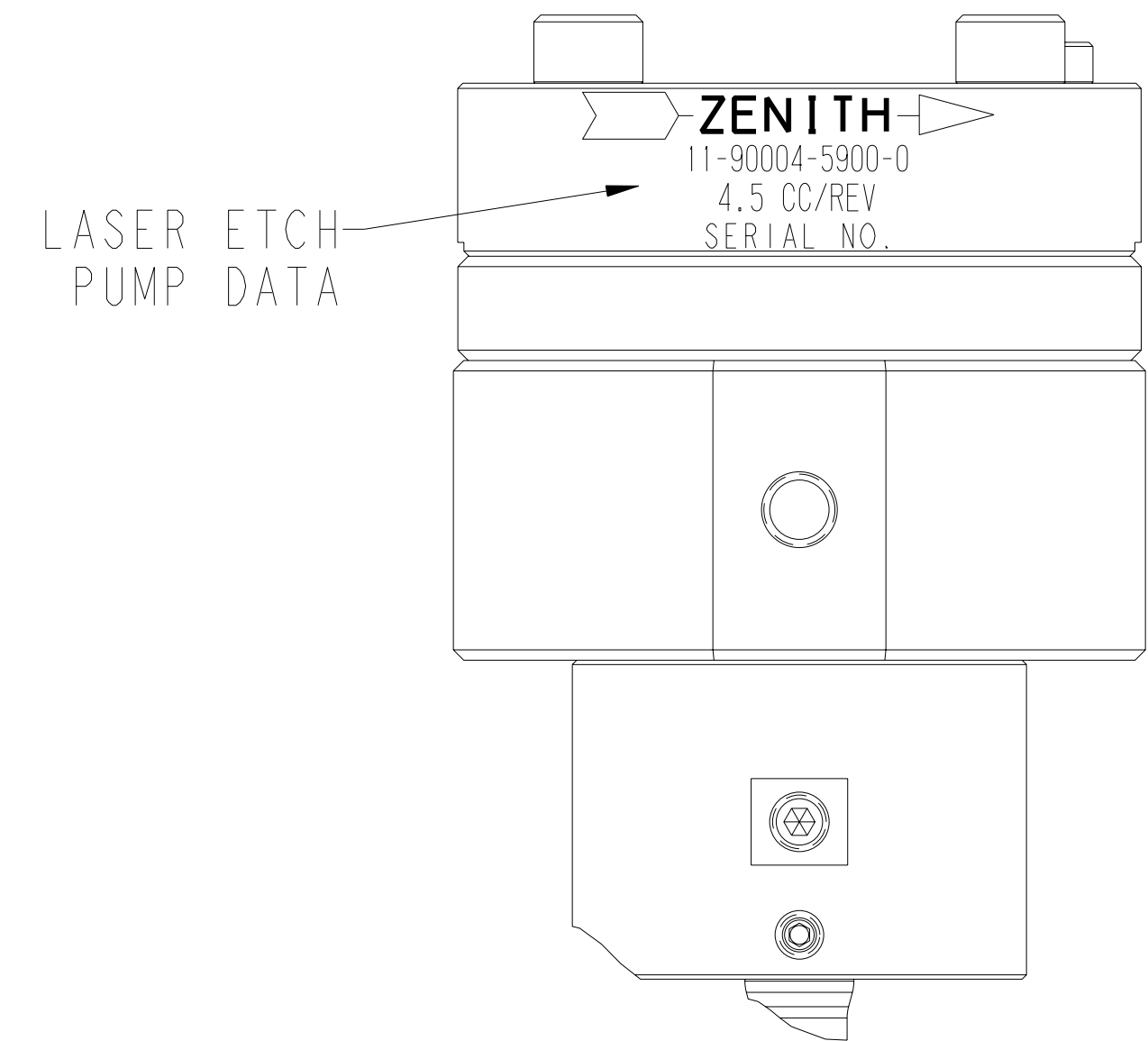
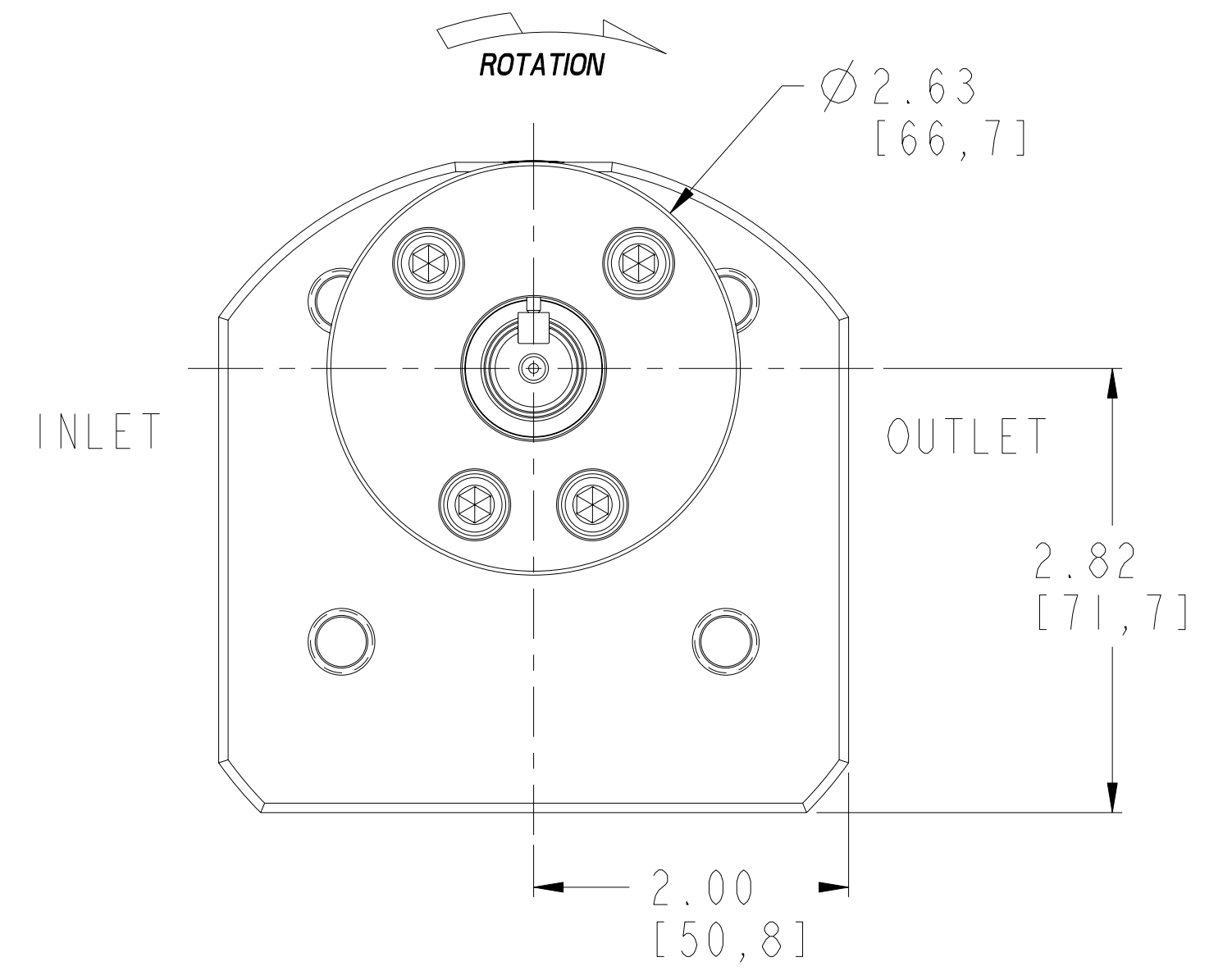
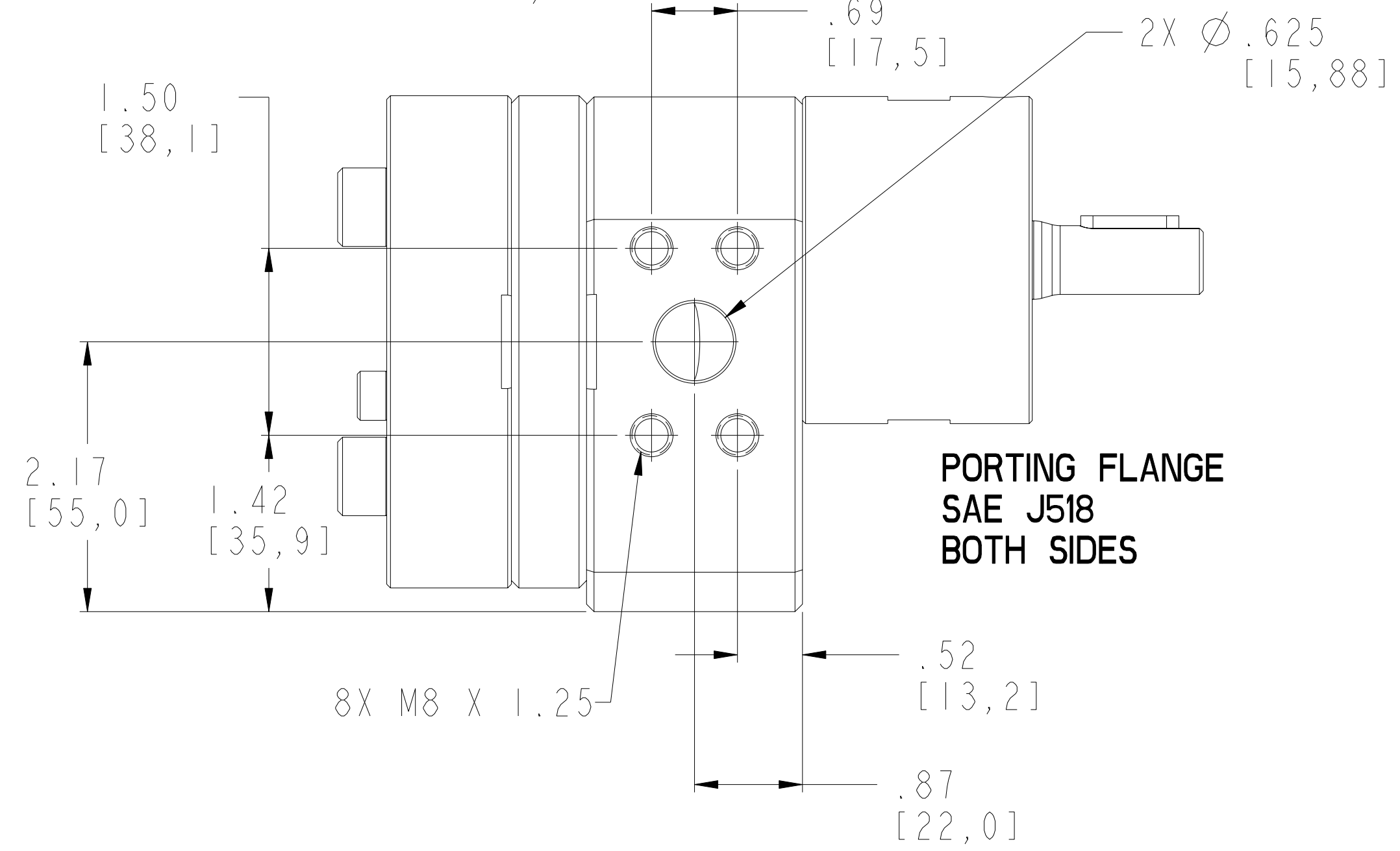
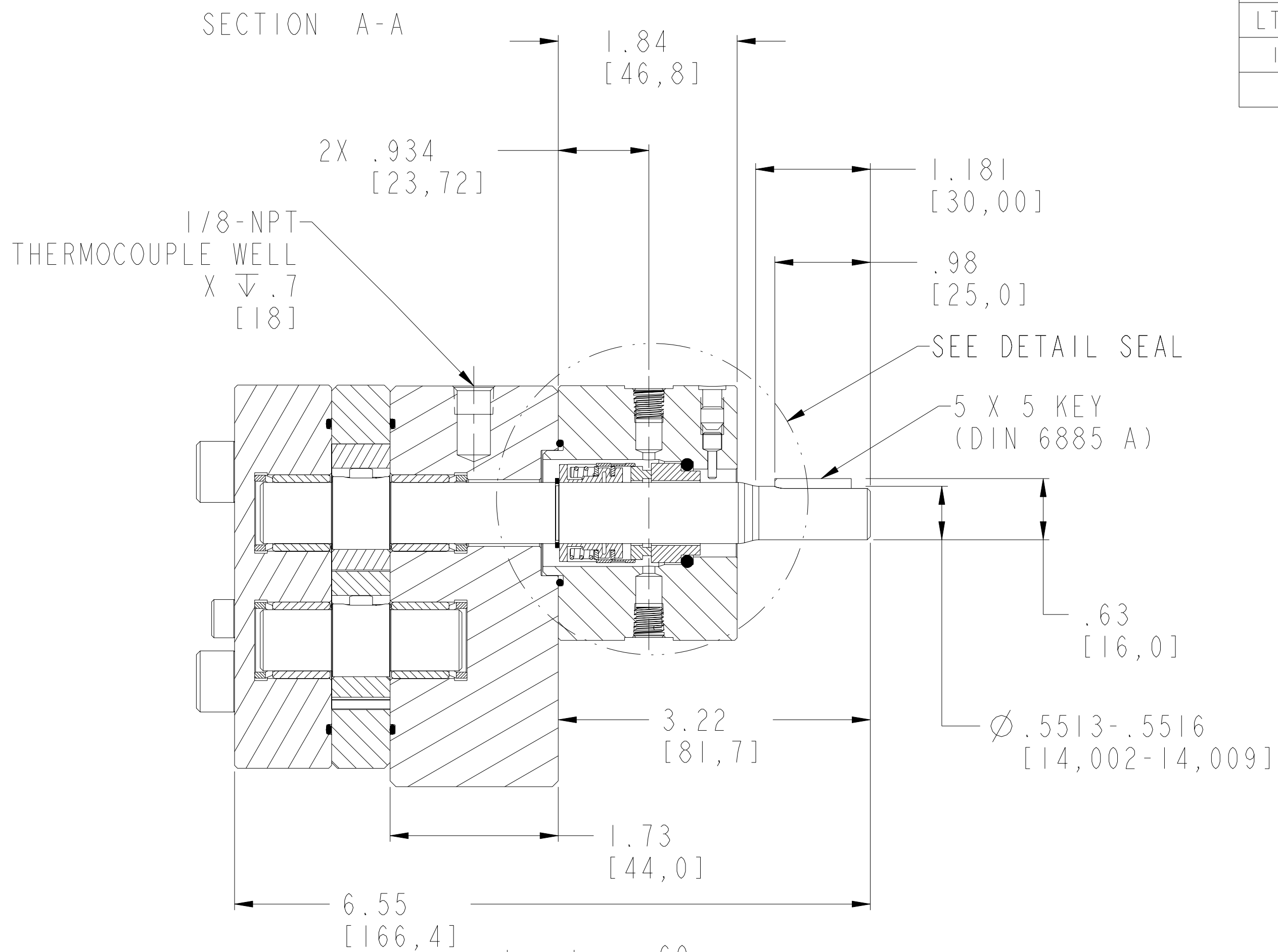
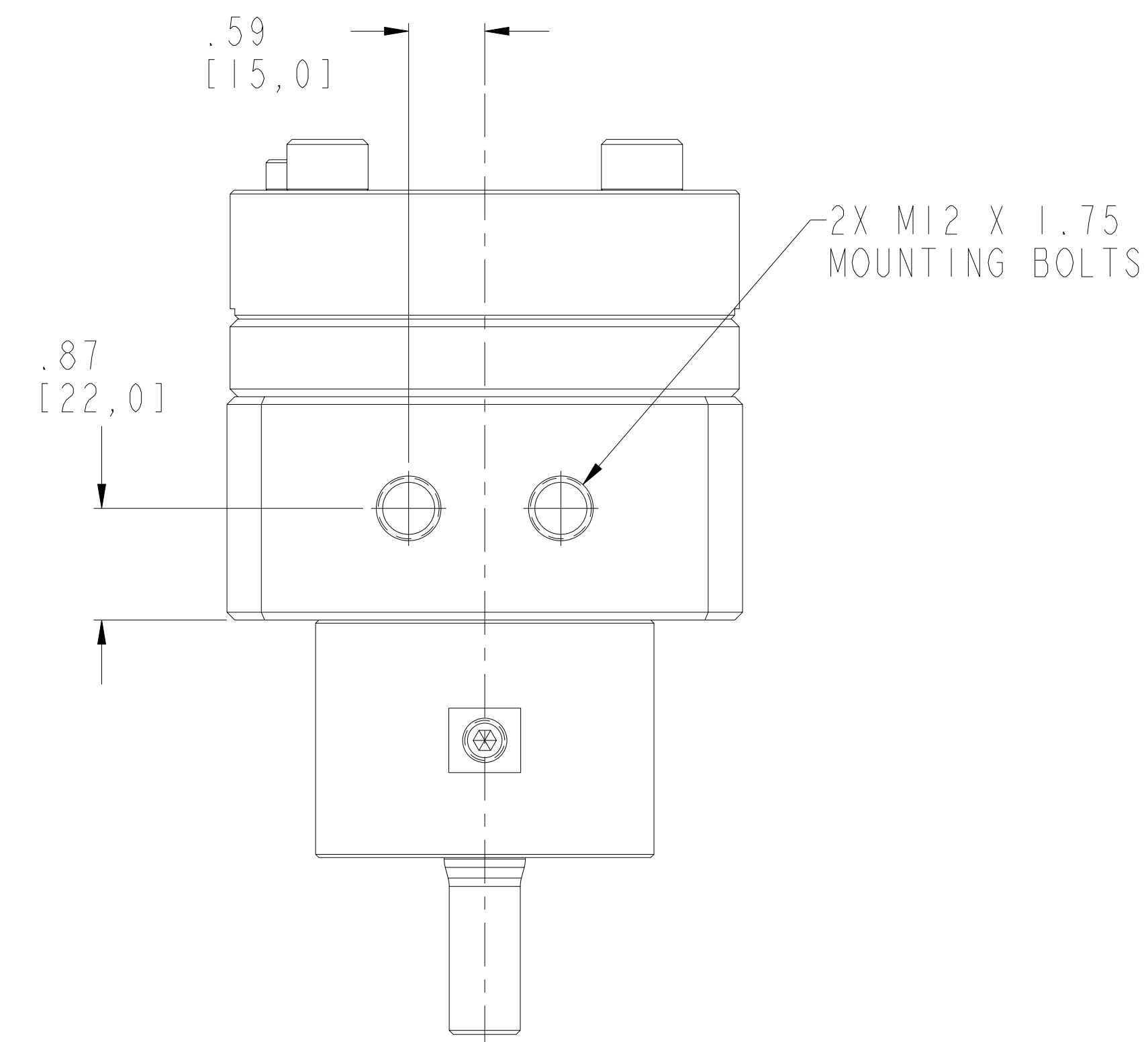
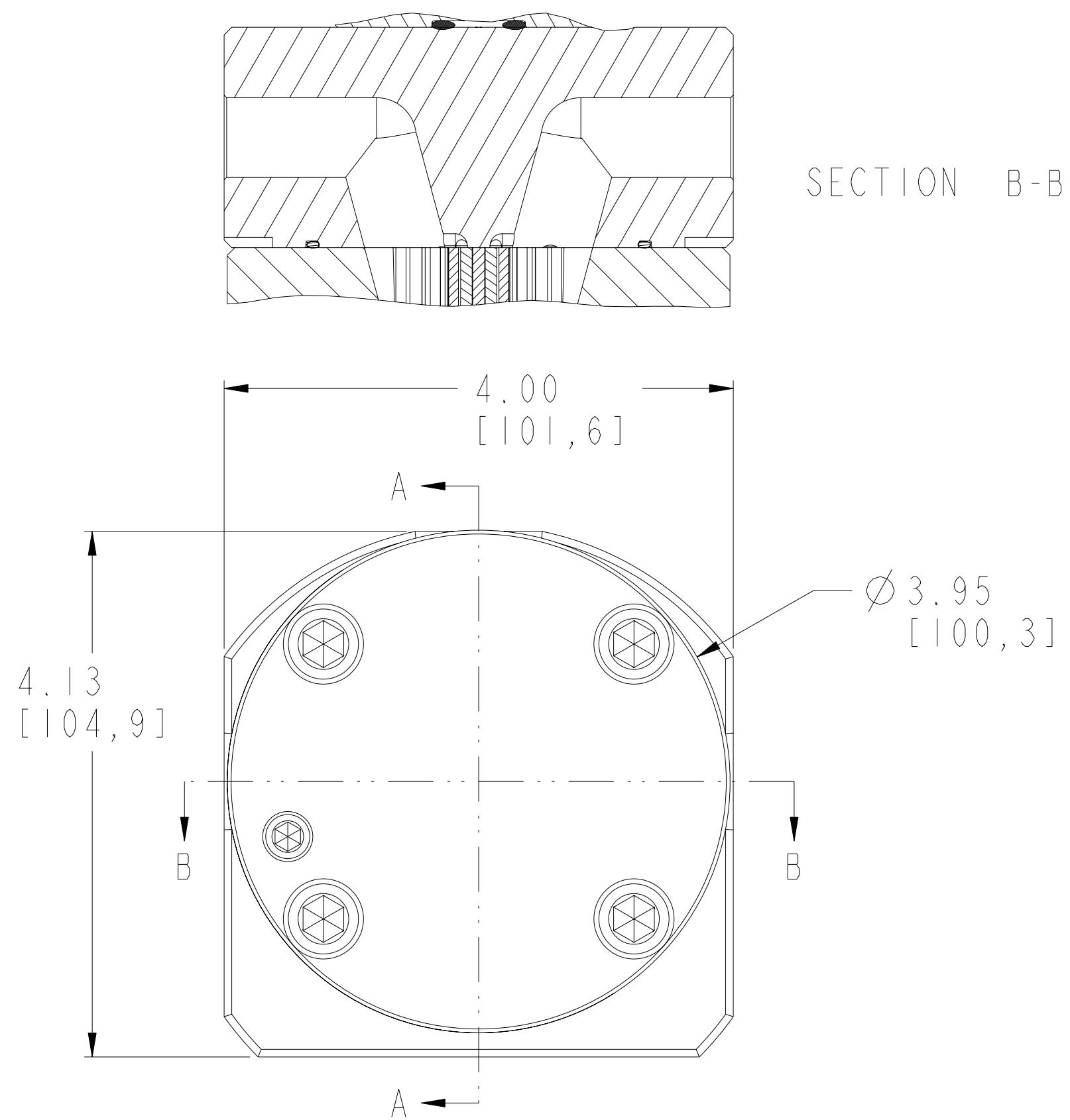


REVISIONS			
LTR	DESCRIPTION	DATE	ECN NO.
I	PLUG WAS 18-73000-0007-1	07/26/07	128-2007



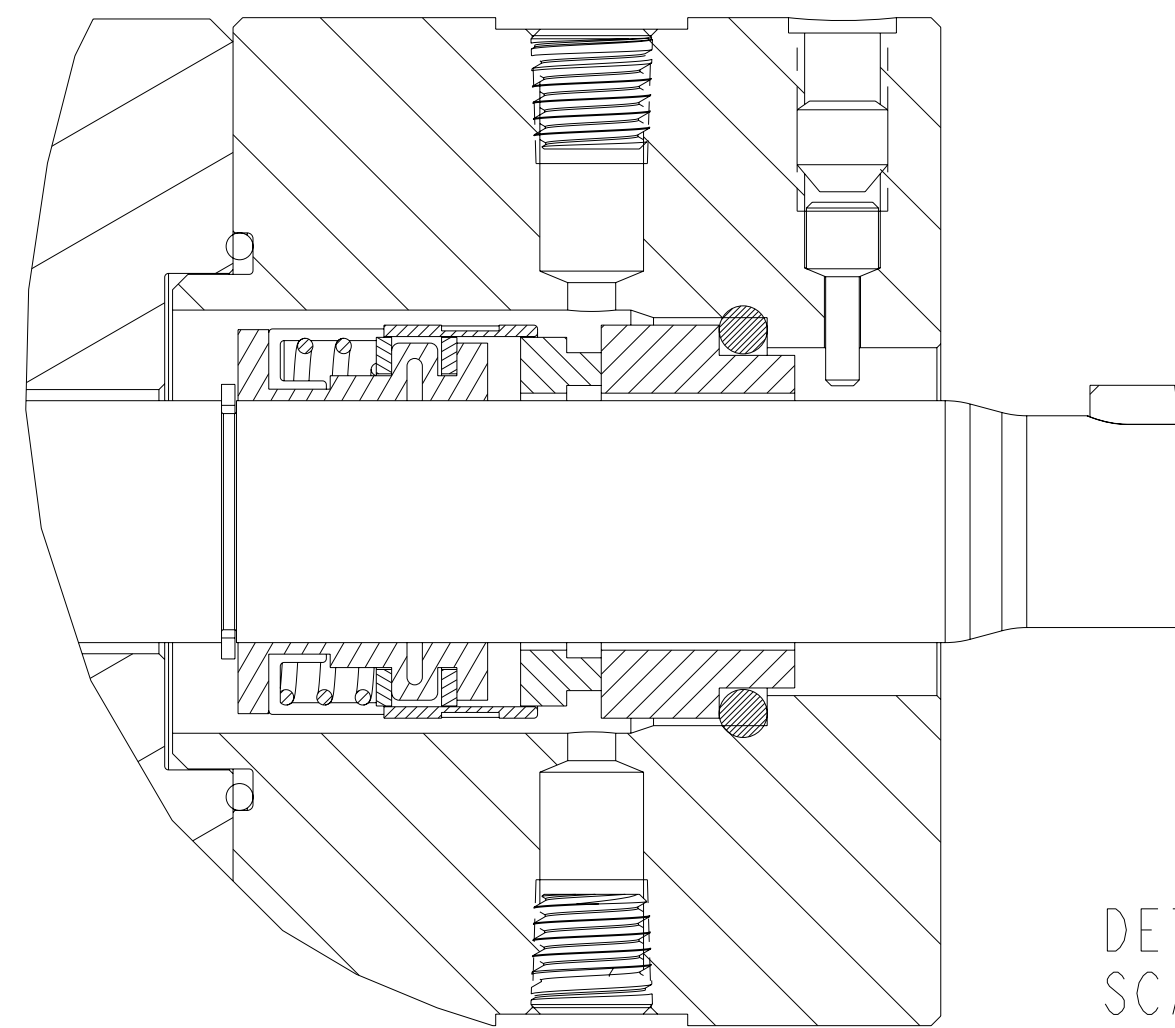
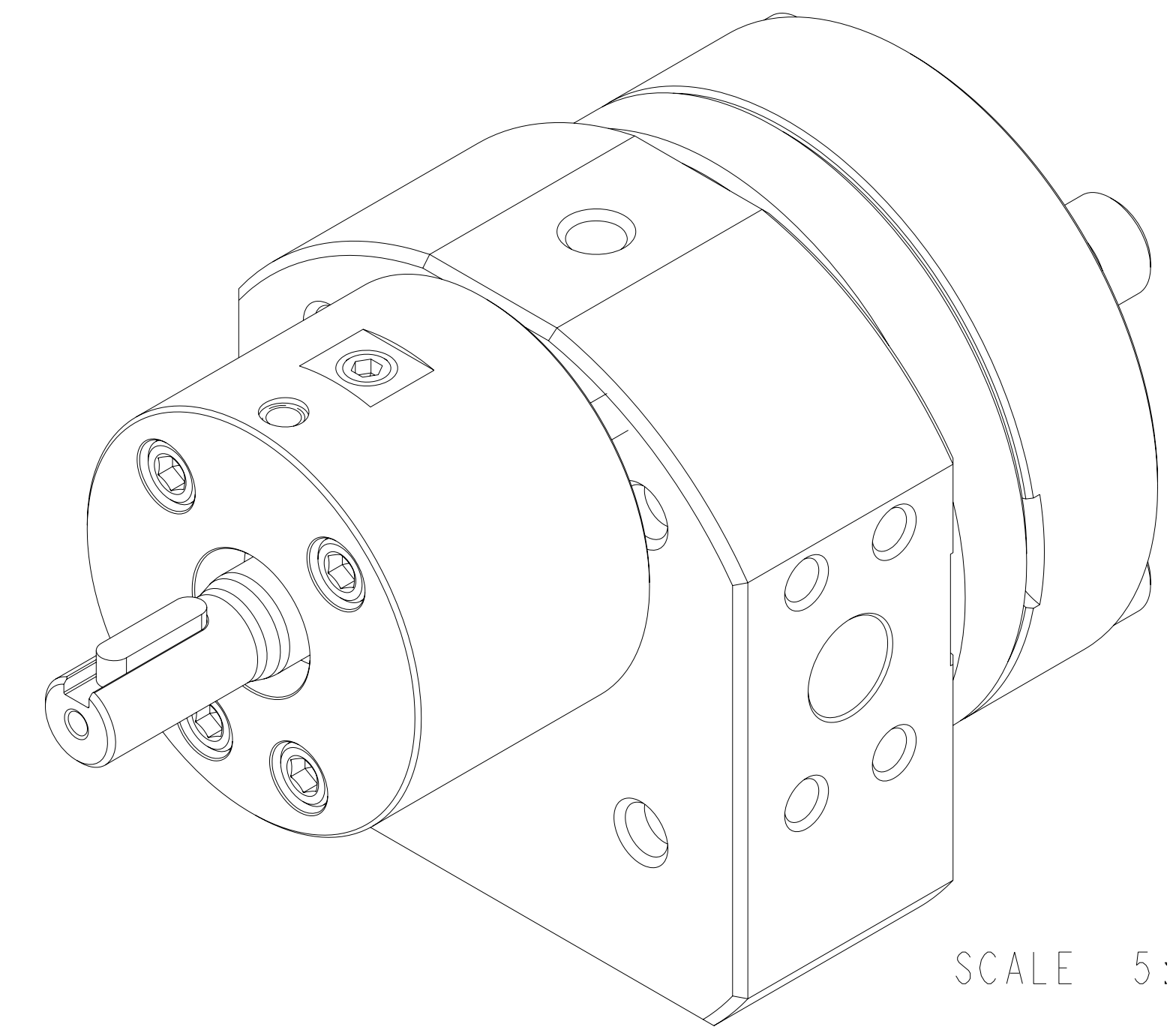
INTERPRET PER ASME-Y14.5M 1994

TORQUE CHART
M6 BOLTS LUBRICATED = 70 lb.-in. (7.9 N-m)
M10 BOLTS LUBRICATED = 335 lb.-in. (37.8 N-m)
M8 BOLTS (FLANGE) LUBRICATED = 169 lb.-in. (19.1 N-m)
M12 BOLTS (MOUNTING) LUBRICATED = 580 lb.-in. (66.0 N-m)

THIS DOCUMENT CONTAINS INFORMATION THAT IS CONFIDENTIAL AND PROPRIETARY TO ZENITH PUMPS, COLFAX CORPORATION "COLFAX". THIS DOCUMENT IS FURNISHED ON THE UNDERSTANDING THAT THE DOCUMENT AND THE INFORMATION IT CONTAINS WILL NOT BE COPIED OR DISCLOSED TO OTHERS OR USED FOR ANY PURPOSE OTHER THAN CONDUCTING BUSINESS WITH COLFAX, AND WILL BE RETURNED AND ALL FURTHER USE DISCONTINUED UPON REQUEST BY COLFAX.	UNLESS OTHERWISE SPECIFIED DIMENSIONS ARE IN INCH TOLERANCES .XX ± 0.01 .XXX ± 0.005 ANG ± 0.5	DRAWN BNS 05.10.99 CHECKED	ZENITH PUMPS 5910 ELWIN BUCHANAN DRIVE SANFORD, NC 27330
	MATERIAL SEE BILL OF MATERIAL SHEET 2 OF 3	PART WEIGHT = 48.339 LBS SURFACE AREA = 371.839 IN ² MODEL NUMBER = 119000459000 DRAWING = 119000459000	
		PRO/ENGINEER DRAWING SIZE D	DRAWING NUMBER 11-90004-5900-0

ITEM No.	PART NUMBER	PART NAME	MATERIAL	QTY
	119000459000	C-9000 TYPE PUMP		1
8	146945200174	ASSEMBLY, FRONT PLATE		1
21	156945200384	PLATE, FRONT	ZP1222	1
45	150752000061	BUSHING, SPACER	316 S.S.	2
24	150453100091	BEARING, SLEEVE	ZP1186	2
5	152521900242	GEAR, DRIVING	ZP2724	2
2	157956800732	SHAFT, DRIVE	ZP2724	1
4	185600800361	KEY, ROUND	303 SS	2
9	150115600392	ARBOR	ZP2724	1
10	151609100591	DOWEL, HOLLOW	17-4PH	2
3	156925100564	PLATE, GEAR	ZP1222	1
7	146915100162	ASSEMBLY, REAR PLATE		1
20	156915100374	PLATE, REAR	ZP1222	1
45	150752000061	BUSHING, SPACER	316 S.S.	2
23	150453100091	BEARING, SLEEVE	ZP1186	2
34	187650402761	O-RING	PTFE ENCAPSULATED FLUOROCARBON	2
11	155402000343	HOUSING, SEAL	ZP1222	1
13	187900300481	TYPE 502 MECHANICAL SEAL		1
33	187650401891_INV	O-RING	PTFE ENCAPSULATED FLUOROCARBON	1
17	185600800051	KEY, SQUARE	STEEL 50-1 K	1
30	150013100652	SEAL ASSEMBLY TOOL	ACETAL COPOLYMER	1
19	189341010802	SHCS M10X1.5 X 80 MM 316 SS		4
15	189340610502	SHCS M6X1 X 50MM 316 SS		5
40	151609100401	PIN, DOWEL	ZP1222	1
41	189300000351	M6 X 1.0P SOCKET SET SCREW	STAINLESS STEEL	1
42	187300000161	PLUG, DRYSEAL TYPE	316 S.S.	2
16	181831800142	RING - RETAINING	PH 15-7 MO	1

REVISIONS			
LTR	DESCRIPTION	DATE	ECN NO.
I	PLUG WAS 18-73000-0007-1	07/26/07	128-2007



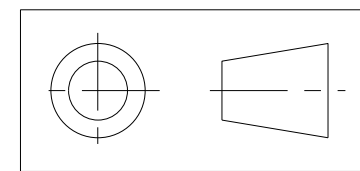
THIS DOCUMENT CONTAINS INFORMATION THAT IS CONFIDENTIAL AND PROPRIETARY TO ZENITH PUMPS, COLFAX CORPORATION "COLFAX". THIS DOCUMENT IS FURNISHED ON THE UNDERSTANDING THAT THE DOCUMENT AND THE INFORMATION IT CONTAINS WILL NOT BE COPIED OR DISCLOSED TO OTHERS OR USED FOR ANY PURPOSE OTHER THAN CONDUCTING BUSINESS WITH COLFAX, AND WILL BE RETURNED AND ALL FURTHER USE DISCONTINUED UPON REQUEST BY COLFAX.

UNLESS OTHERWISE SPECIFIED
DIMENSIONS ARE IN INCH
TOLERANCES
.XX ± 0.01
.XXX ± 0.005
ANG ± 0.5

MATERIAL
SEE BILL OF MATERIAL
SHEET 2 OF 3

DRAWN	BNS	05.10.99
CHECKED		
PART WEIGHT = 48.339 LBS		
SURFACE AREA = 371.839 IN ²		
MODEL NUMBER = 119000459000 DRAWING = 119000459000		
PRO/ENGINEER DRAWING	SIZE D	

INTERPRET PER ASME-Y14.5M 1994



zenith®
Pumps

ZENITH PUMPS
5910 ELWIN BUCHANAN DRIVE
SANFORD, NC 27330

C-9000 TYPE PUMP
4.5 CC/REV RANDOM 900

SCALE 1:2	DRAWING NUMBER
SHEET 2 OF 3	11-90004-5900-0

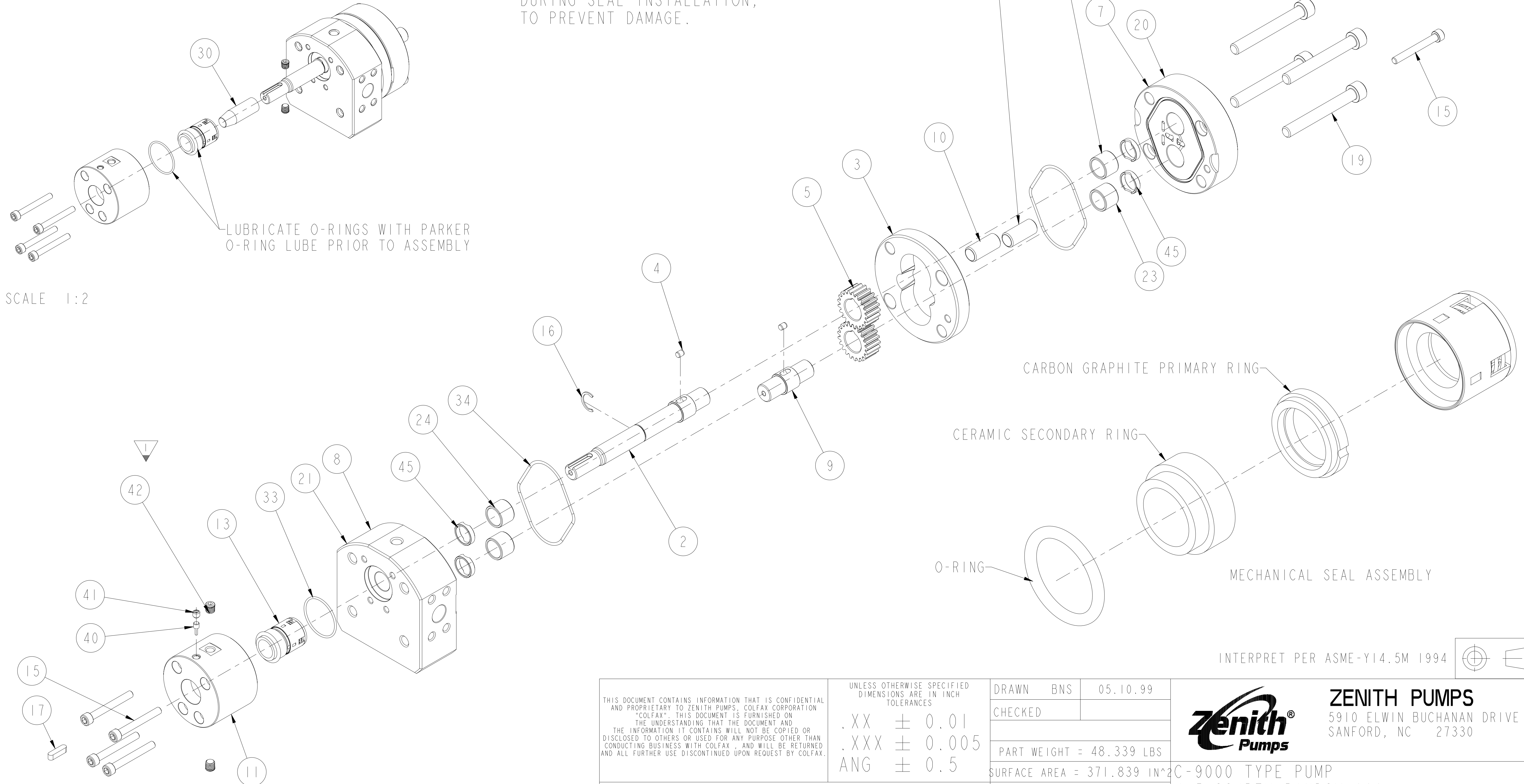
TO PREVENT DAMAGE
INSTALL SEAL ASSEMBLY TOOL
ONTO SHAFT TO COVER KEYWAY
DURING SEAL INSTALLIATION.

PRESS SEAT AND O-RING FIRMLY
INTO SEAL HOUSING PRIOR
TO INSTALLING ONTO PUMP.

LUBRICATE UNDERSIDE OF CAP & THREADS
ON FASTENERS WITH ANTI-SEIZE
COMPOUND PRIOR TO ASSEMBLY.

INSTALL SEAL ASSEMBLY TOOL
ONTO SHAFT TO COVER KEYWAY
DURING SEAL INSTALLATION,
TO PREVENT DAMAGE.

REVISIONS			
LTR	DESCRIPTION	DATE	ECN NO.
1	PLUG WAS 18-73000-0007-1	07/26/07	128-2007



SCALE 1:2

CARBON GRAPHITE PRIMARY RING

CERAMIC SECONDARY RING

O-RING

MECHANICAL SEAL ASSEMBLY

INTERPRET PER ASME-Y14.5M 1994

<p>THIS DOCUMENT CONTAINS INFORMATION THAT IS CONFIDENTIAL AND PROPRIETARY TO ZENITH PUMPS, COLFAX CORPORATION "COLFAX". THIS DOCUMENT IS FURNISHED ON THE UNDERSTANDING THAT THE DOCUMENT AND THE INFORMATION IT CONTAINS WILL NOT BE COPIED OR DISCLOSED TO OTHERS OR USED FOR ANY PURPOSE OTHER THAN CONDUCTING BUSINESS WITH COLFAX, AND WILL BE RETURNED AND ALL FURTHER USE DISCONTINUED UPON REQUEST BY COLFAX.</p>	<p>UNLESS OTHERWISE SPECIFIED DIMENSIONS ARE IN INCH TOLERANCES</p> <p>.XX ± 0.01 .XXX ± 0.005 ANG ± 0.5</p>	<p>DRAWN BNS 05.10.99</p>	<p>ZENITH PUMPS 5910 ELWIN BUCHANAN DRIVE SANFORD, NC 27330</p>
		<p>CHECKED</p>	
<p>MATERIAL</p> <p>SEE BILL OF MATERIAL SHEET 2 OF 3</p>	<p>PRO/ENGINEER DRAWING</p>	<p>PART WEIGHT = 48.339 LBS</p>	<p>C-9000 TYPE PUMP</p>
		<p>SURFACE AREA = 371.839 IN²</p>	<p>4.5 CC/REV RANDOM 900</p>
		<p>MODEL NUMBER = 119000459000 DRAWING = 119000459000</p>	<p>SCALE 5:8 SHEET 3 OF 3</p>