

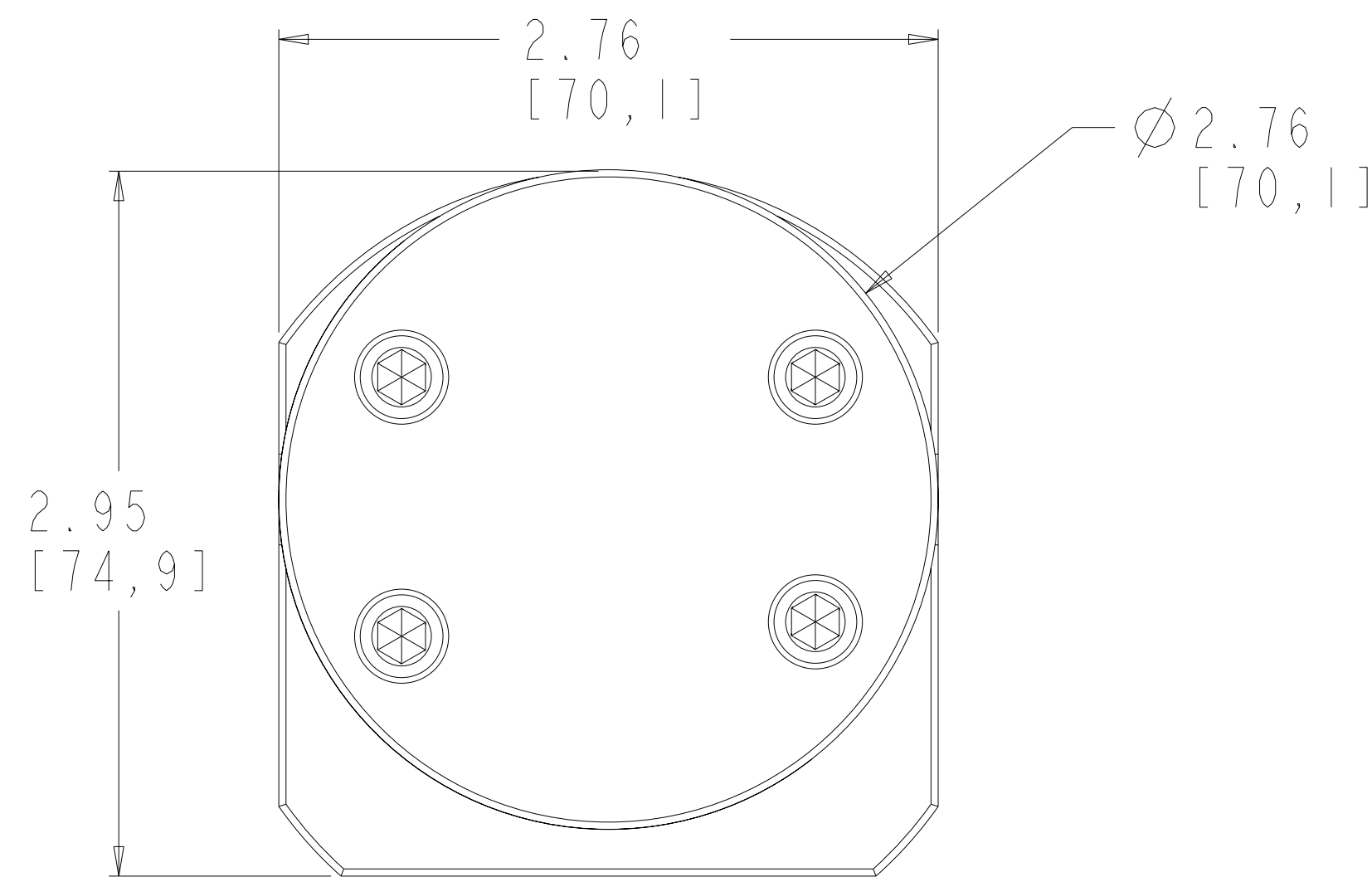
TORQUE CHART

M6 BOLTS LUBRICATED = 70 lb.-in. (7.9 N-m)

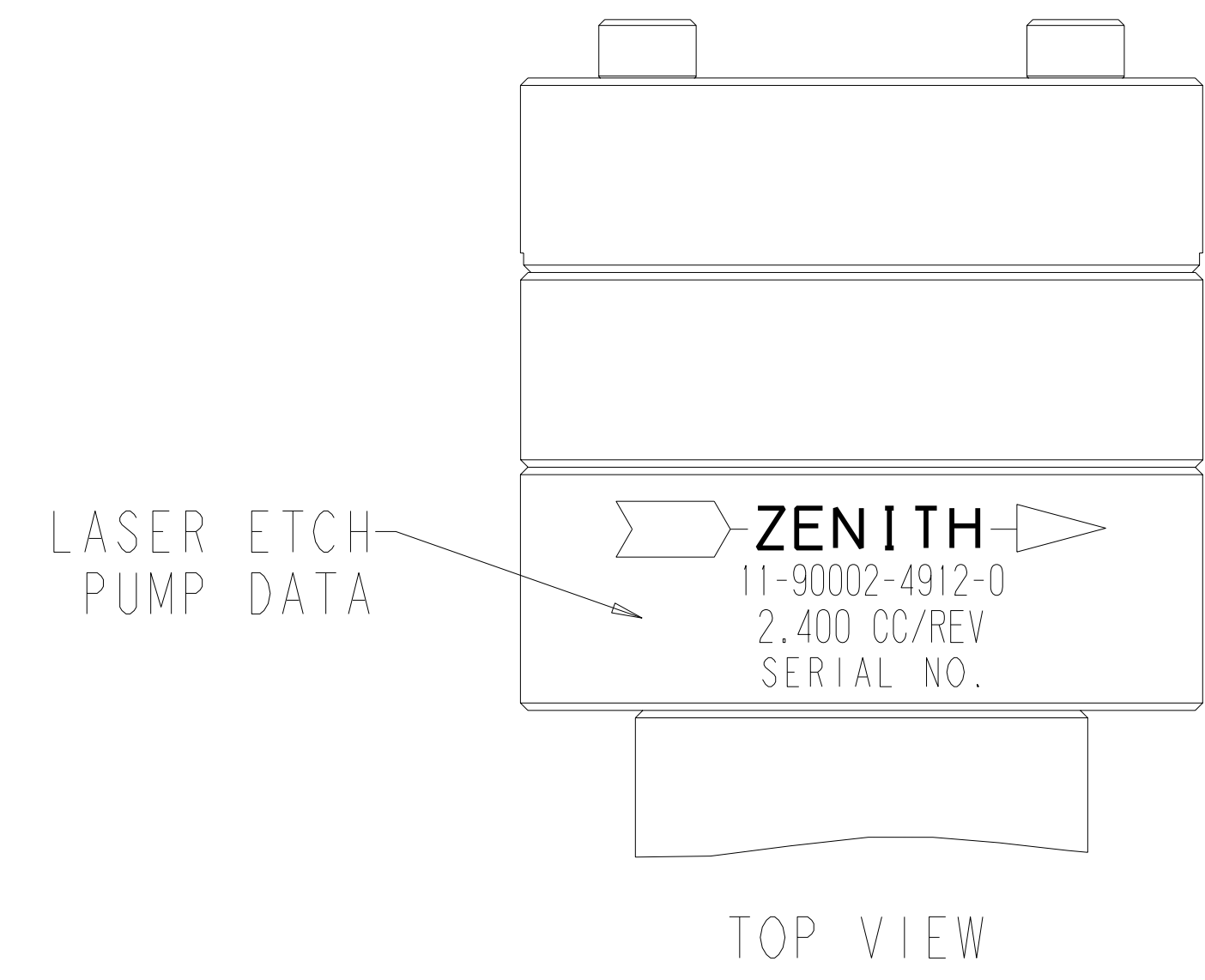
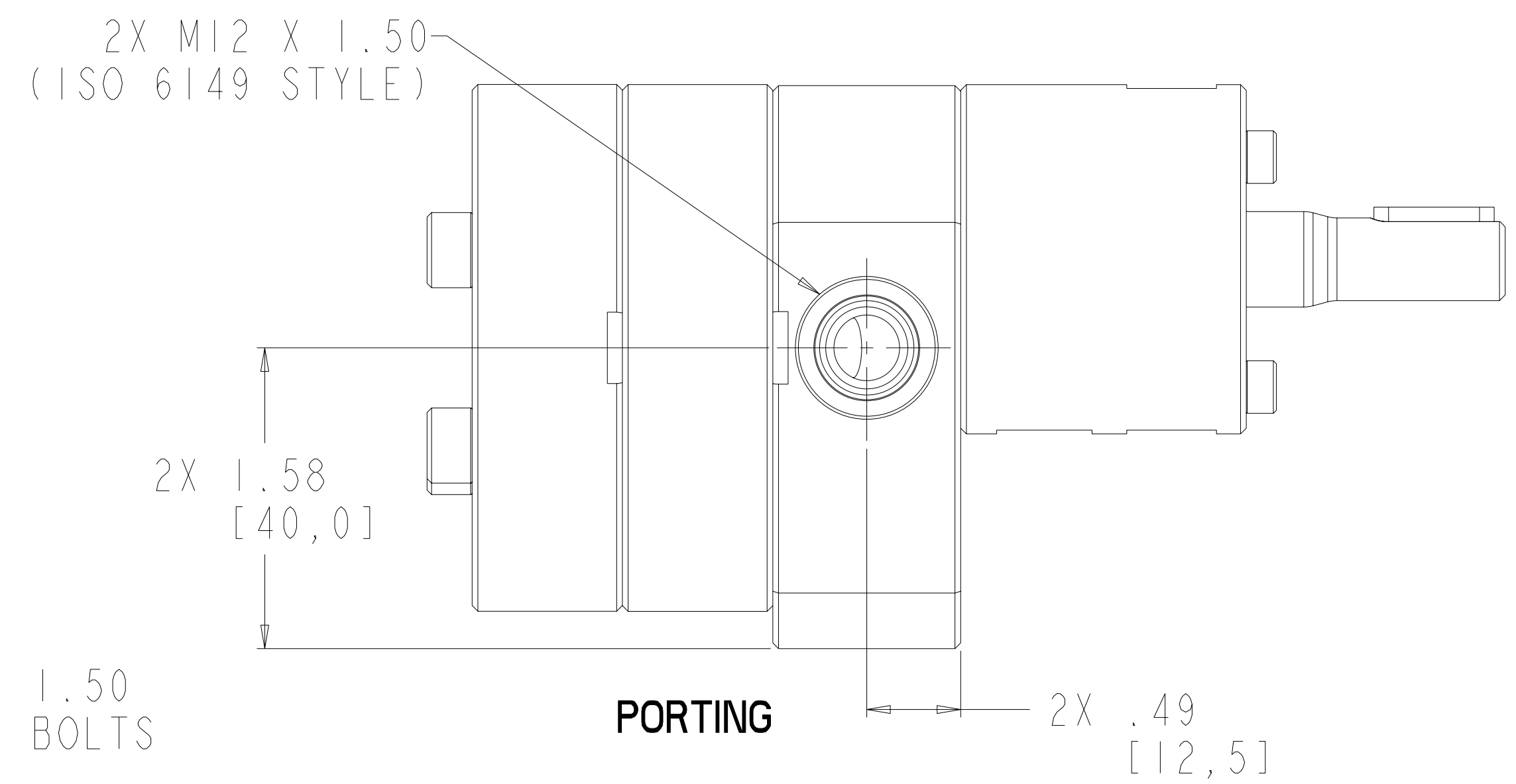
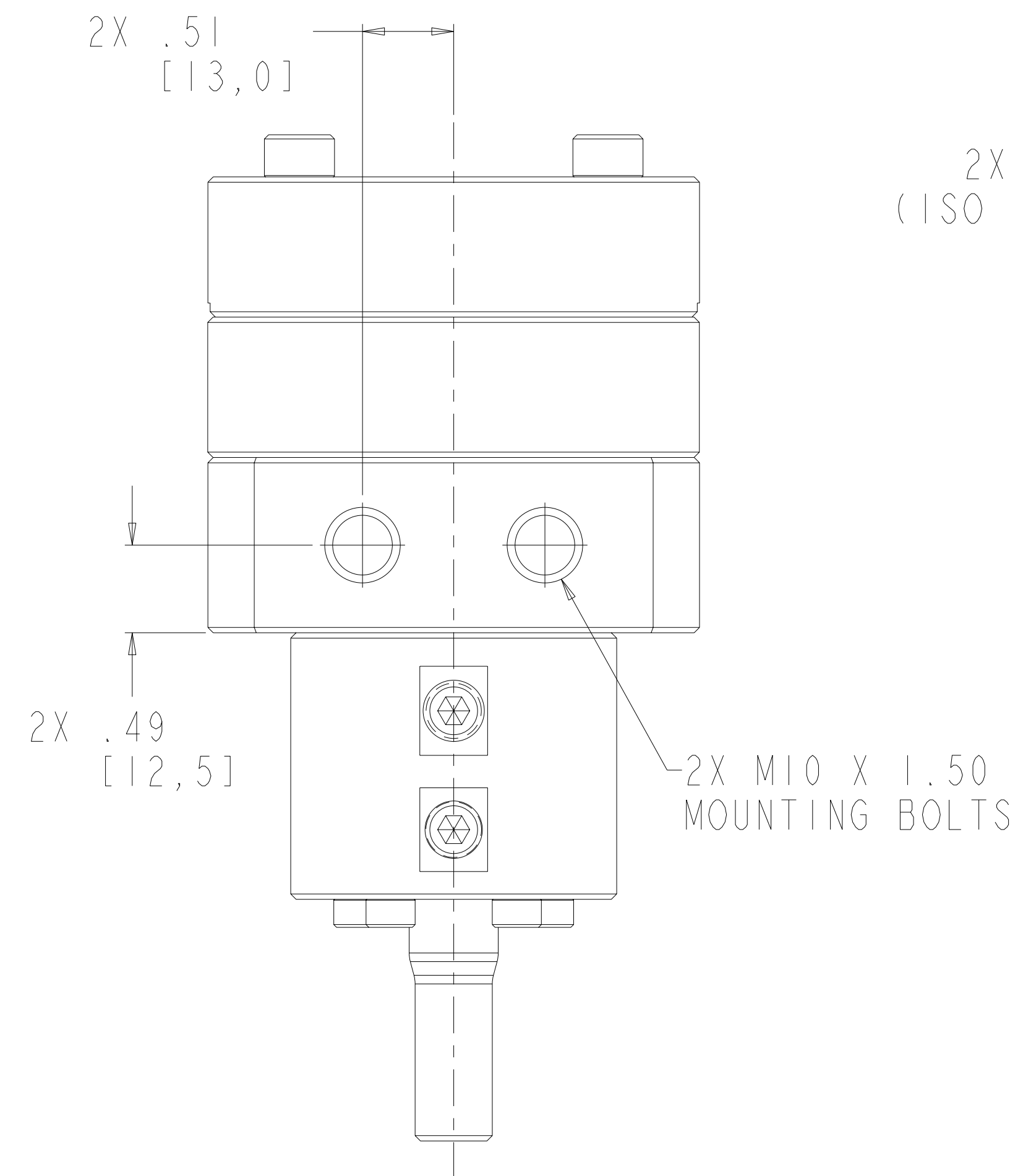
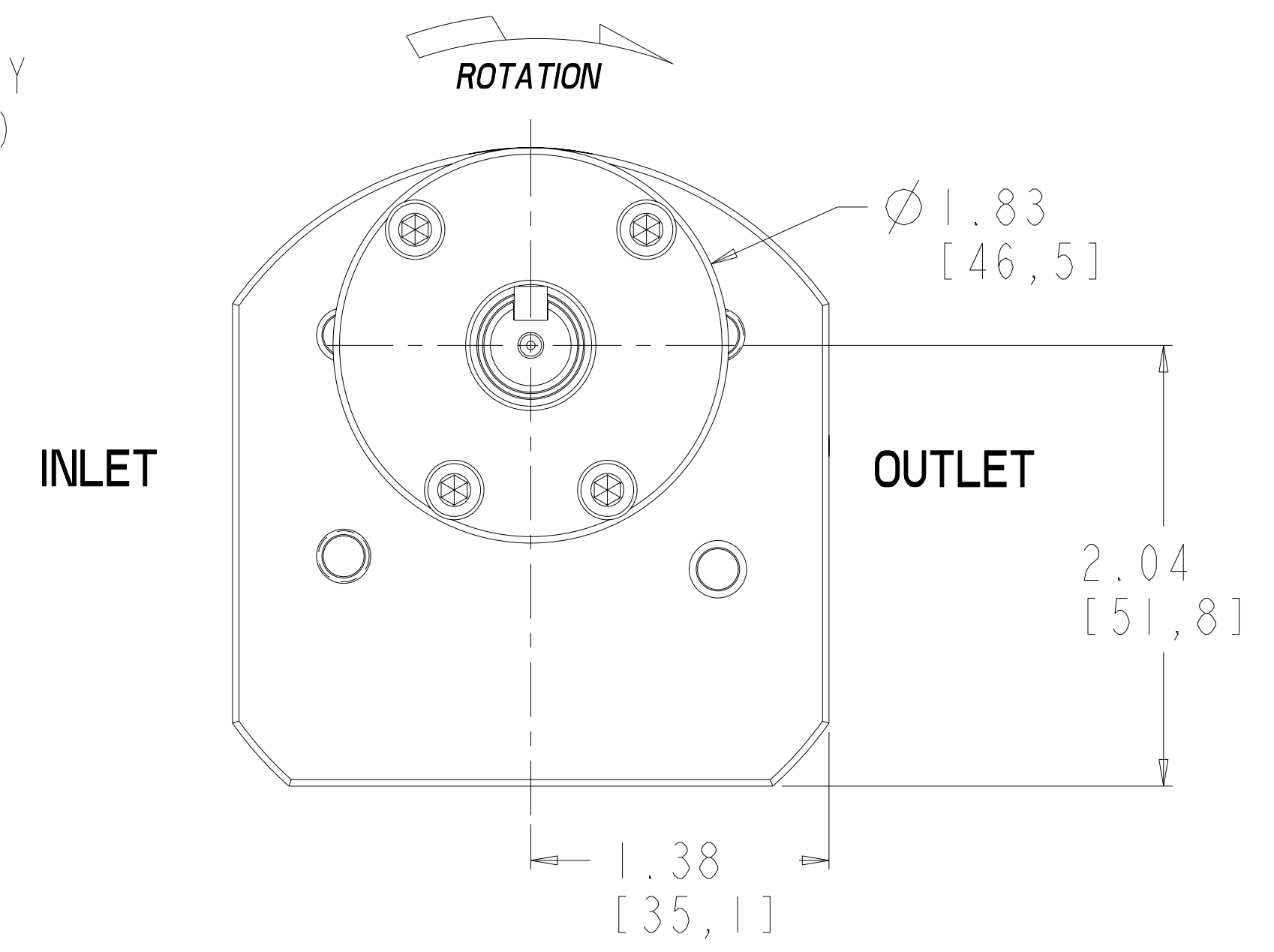
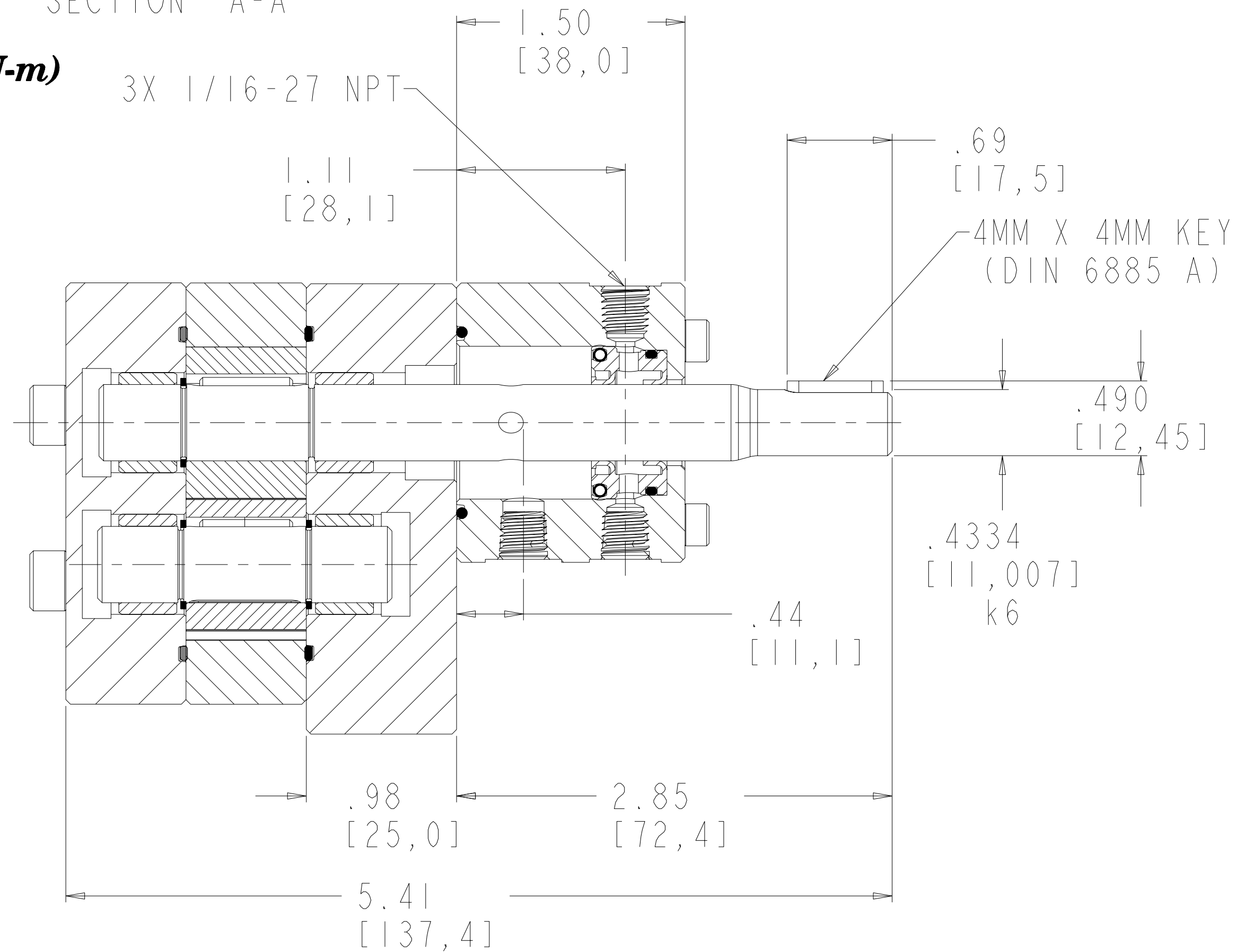
M4 BOLTS LUBRICATED = 20 lb.-in. (2.3N-m)

M10 BOLTS (MOUNTING) LUBRICATED = 335 lb.-in. (37.8 N-m)

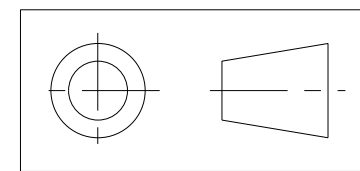
REVISIONS			
LTR	DESCRIPTION	DATE	ECN NO.
C	DOWELS WERE 15-16091-0026-1	3/31/04	140-2004
D	PLUG WAS 18-73000-0007-1	07/26/07	128-2007



SECTION A-A



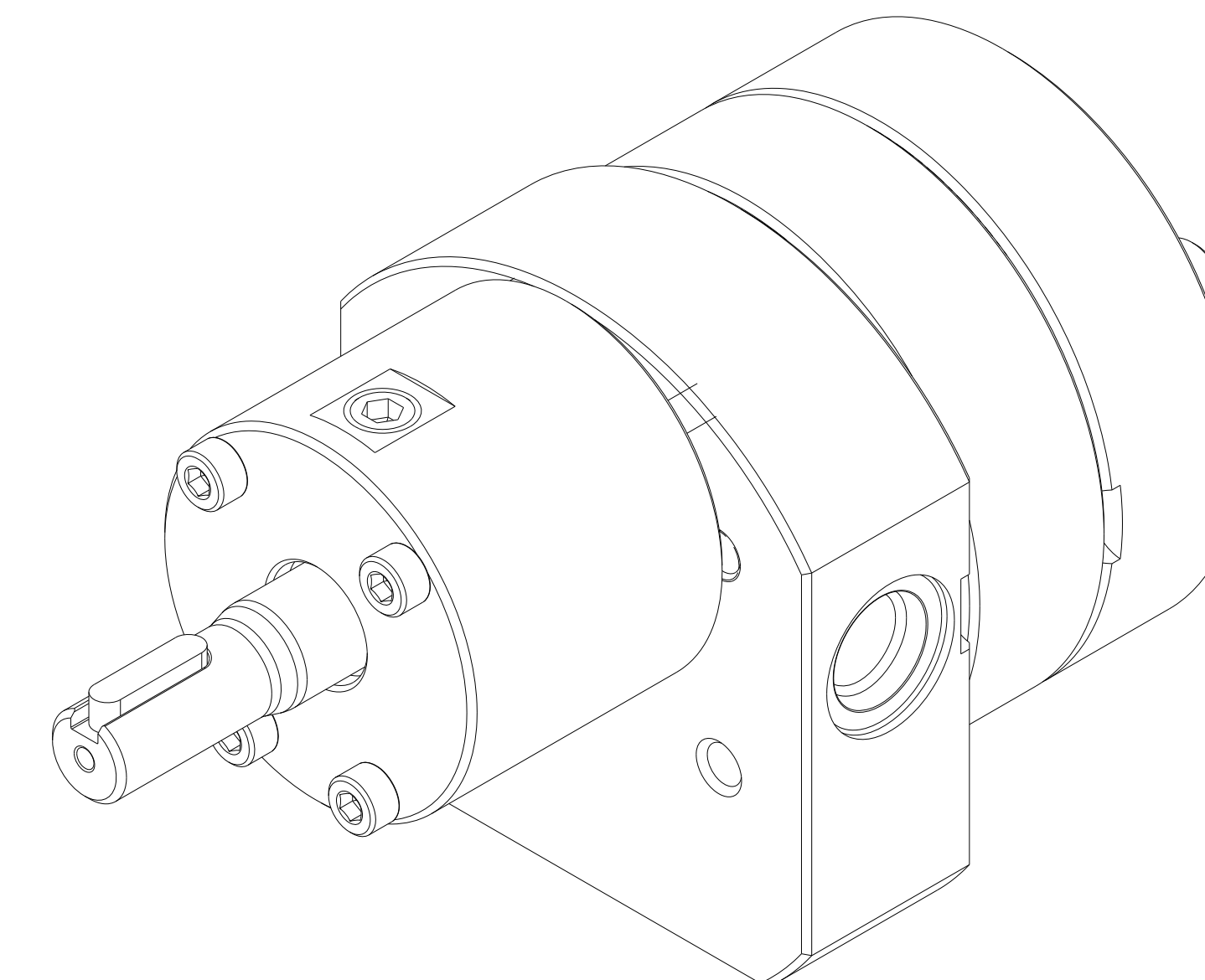
INTERPRET PER ASME-Y14.5M 1994



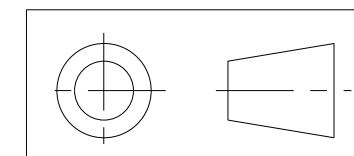
<p>THIS DOCUMENT CONTAINS INFORMATION THAT IS CONFIDENTIAL AND PROPRIETARY TO ZENITH PUMPS, COLFAX CORPORATION "COLFAX". THIS DOCUMENT IS FURNISHED ON THE UNDERSTANDING THAT THE DOCUMENT AND THE INFORMATION IT CONTAINS WILL NOT BE COPIED OR DISCLOSED TO OTHERS OR USED FOR ANY PURPOSE OTHER THAN CONDUCTING BUSINESS WITH COLFAX, AND WILL BE RETURNED AND ALL FURTHER USE DISCONTINUED UPON REQUEST BY COLFAX.</p>	<p>UNLESS OTHERWISE SPECIFIED DIMENSIONS ARE IN INCH TOLERANCES</p> <p>.XX ± 0.01 .XXX ± 0.005 ANG ± 0.5</p>	<p>DRAWN PLL 4/20/2001</p>	<p>ZENITH PUMPS 5910 ELWIN BUCHANAN DRIVE SANFORD, NC 27330</p>	
	<p>MATERIAL SEE BILL OF MATERIAL ON SHEET 2 OF 3</p>	<p>CHECKED</p>		<p>PART WEIGHT = LBS SURFACE AREA = IN² MODEL NUMBER = 119000249120 DRAWING = 119000249120</p>
		<p>PRO/ENGINEER DRAWING</p>	<p>SIZE D</p>	<p>C-9000 TYPE PUMP 2.4 CC/REV RANDOM 912</p>
		<p>SHEET 1 OF 3</p>	<p>DRAWING NUMBER 11-90002-4912-0</p>	<p>SCALE 3:2</p>

ITEM No.	PART NUMBER	PART NAME	MATERIAL	QTY
	119000249120	C-9000 TYPE PUMP		1
5	152360000642	GEAR, DRIVING	ZP2724	2
16	181831800122	RING - RETAINING	PH 15-7 MO	3
2	157956800492	SHAFT, DRIVE	ZP2724	1
4	155600201781	KEY, ROUND	AISI 316	2
3	156925100374	PLATE, GEAR	ZPI222	1
7	146915100112	ASSEMBLY, REAR PLATE		1
20	156915100274	PLATE, REAR	ZPI222	1
23	150453100031	BEARING, SLEEVE	ZPI186	2
34	187650402101	O-RING	PTFE ENCAPSULATED	2
8	146945200112	ASSEMBLY, FRONT PLATE		1
21	156945200294	PLATE, FRONT	ZPI222	1
24	150453100031	BEARING, SLEEVE	ZPI186	2
10	151609100611	DOWEL, HOLLOW	17-4PH	2
9	150115600302	ARBOR	ZP2724	1
11	155401900493	HOUSING, SEAL	ZPI222	1
33	187650402091	O-RING	PTFE ENCAPSULATED	1
19	189340610602	SHCS M6X1 X 60MM 316 SS		4
17	185600800061	KEY, SQUARE W/RND ENDS	STEEL 50-1K	1
18	189340410452	SHCS M4X0.7 X 45 MM 316 SS		4
50	147900400052	SUB-ASSEMBLY, ASSY INSTRUCTION		1
52	150013100642	SEAL ASSEMBLY TOOL	ACETAL COPOLYMER	1
51	187900401371	TANDEM LIP SEAL	CARB. FIBER FILLED PTFE	1
35	187300000161	PLUG, DRYSEAL TYPE	316 S.S.	3

REVISIONS			
LTR	DESCRIPTION	DATE	ECN NO.
C	DOWELS WERE 15-16091-0026-1	3/31/04	140-2004
D	PLUG WAS 18-73000-0007-1	07/26/07	128-2007



INTERPRET PER ASME-Y14.5M 1994



THIS DOCUMENT CONTAINS INFORMATION THAT IS CONFIDENTIAL AND PROPRIETARY TO ZENITH PUMPS, COLFAX CORPORATION "COLFAX". THIS DOCUMENT IS FURNISHED ON THE UNDERSTANDING THAT THE DOCUMENT AND THE INFORMATION IT CONTAINS WILL NOT BE COPIED OR DISCLOSED TO OTHERS OR USED FOR ANY PURPOSE OTHER THAN CONDUCTING BUSINESS WITH COLFAX, AND WILL BE RETURNED AND ALL FURTHER USE DISCONTINUED UPON REQUEST BY COLFAX.

UNLESS OTHERWISE SPECIFIED
DIMENSIONS ARE IN INCH
TOLERANCES
.XX ± 0.01
.XXX ± 0.005
ANG ± 0.5

DRAWN PLL 4/20/2001

CHECKED

PART WEIGHT = LBS

SURFACE AREA = IN²

MODEL NUMBER = 119000249120
DRAWING = 119000249120

PRO/ENGINEER
DRAWING

SIZE D



ZENITH PUMPS

5910 ELWIN BUCHANAN DRIVE
SANFORD, NC 27330

C-9000 TYPE PUMP
2.4 CC/REV RANDOM 912

SCALE 3:2
SHEET 2 OF 3

DRAWING NUMBER

11-90002-4912-0

SEE BILL OF MATERIAL
ON SHEET 2 OF 3

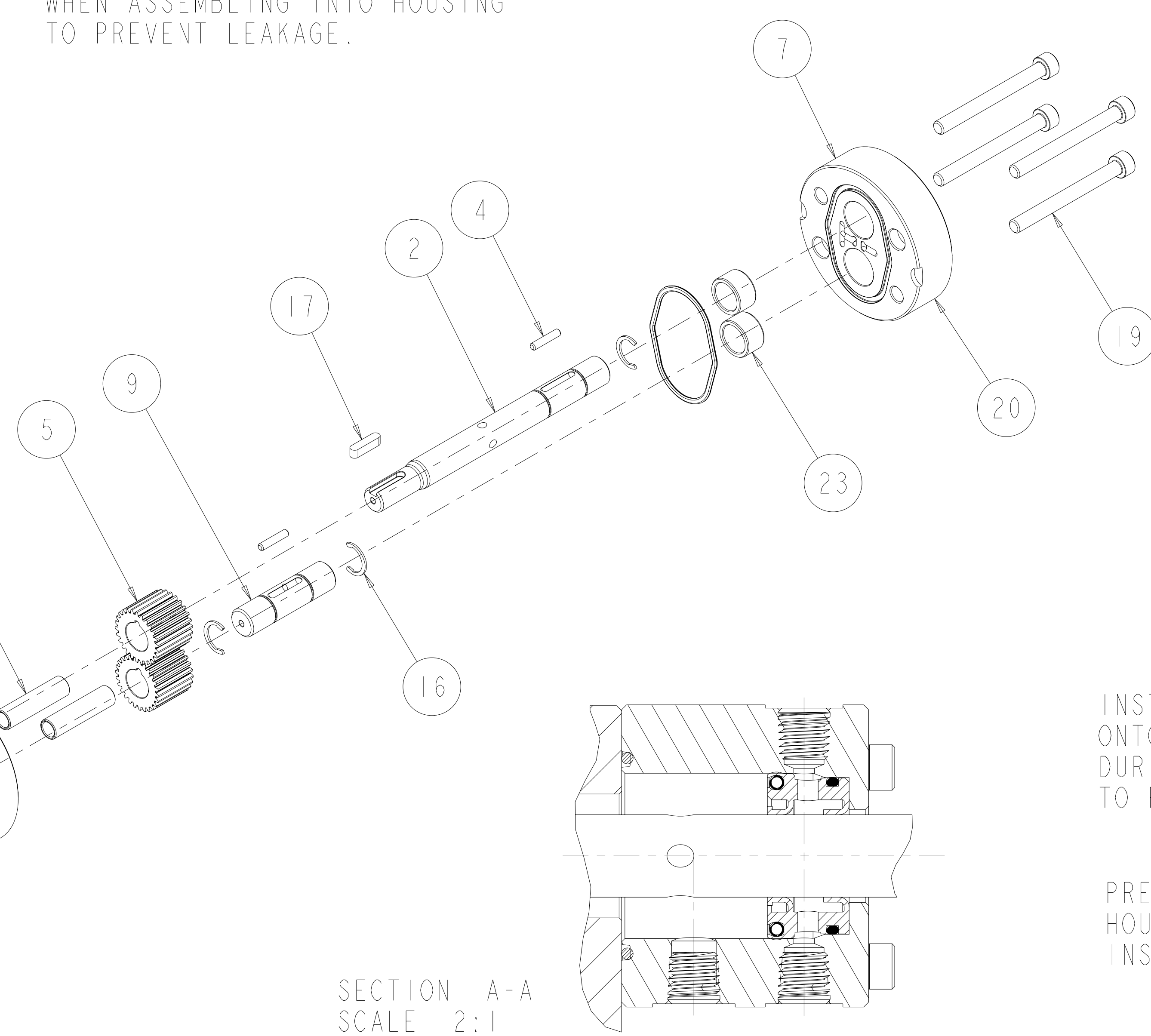
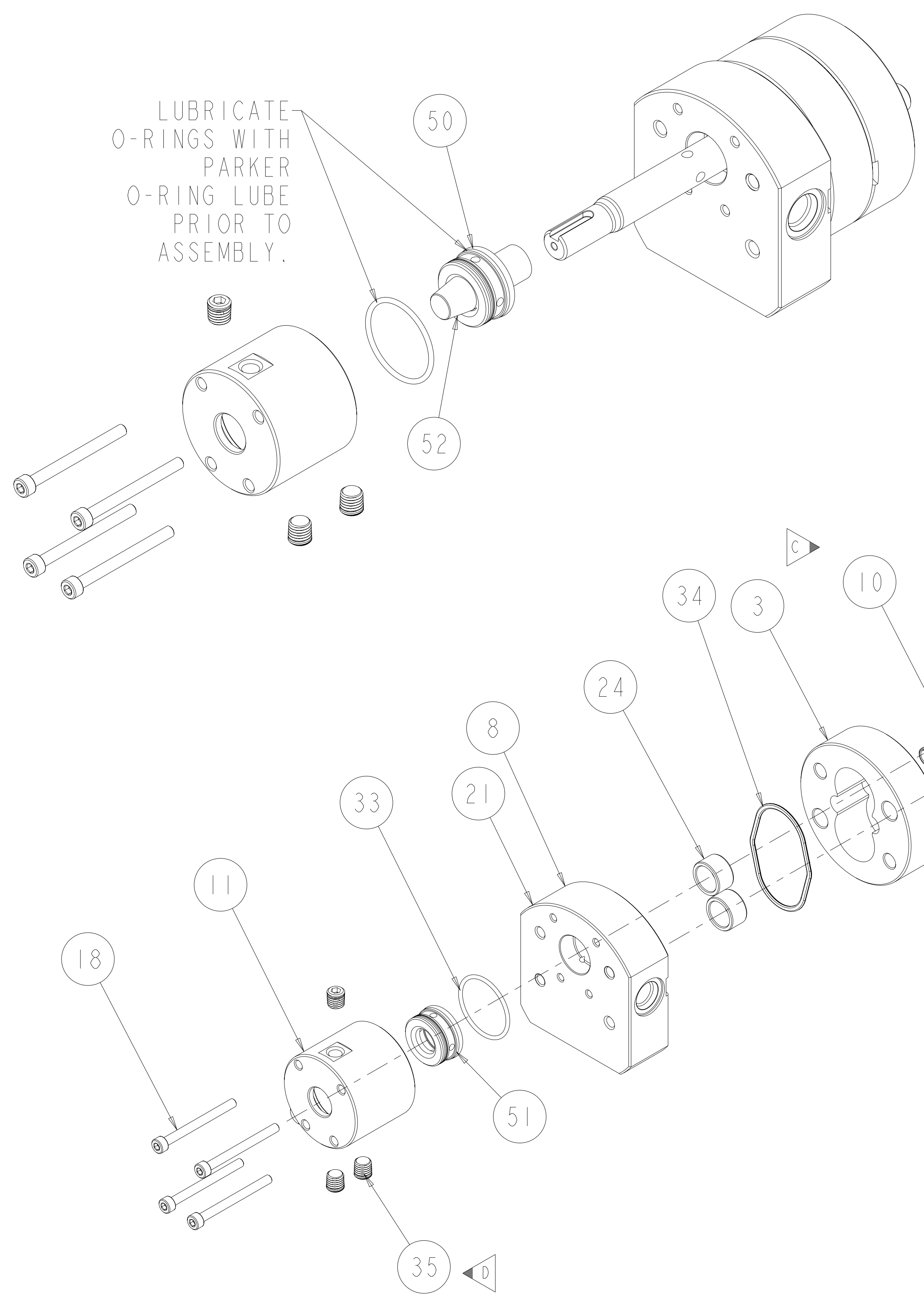
MATERIAL

REVISIONS			
LTR	DESCRIPTION	DATE	ECN NO.
C	DOWELS WERE 15-16091-0026-1	3/31/04	140-2004
D	PLUG WAS 18-73000-0007-1	07/26/07	128-2007

LUBRICATE UNDERSIDE OF CAP & THREADS ON FASTENERS WITH ANTI-SEIZE COMPOUND PRIOR TO ASSEMBLY.

APPLY TEFLON TAPE TO PLUG THREADS WHEN ASSEMBLING INTO HOUSING TO PREVENT LEAKAGE.

LUBRICATE O-RINGS WITH PARKER O-RING LUBE PRIOR TO ASSEMBLY.

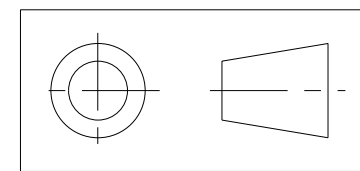


SECTION A-A
SCALE 2:1

INSTALL SEAL ASSEMBLY TOOL ONTO SHAFT TO COVER KEYWAY DURING SEAL INSTALLATION, TO PREVENT DAMAGE.

PRESS SEAL FIRMLY INTO HOUSING PRIOR TO INSTALLING ONTO PUMP.

INTERPRET PER ASME-Y14.5M 1994



SCALE 3:4

THIS DOCUMENT CONTAINS INFORMATION THAT IS CONFIDENTIAL AND PROPRIETARY TO ZENITH PUMPS, COLFAX CORPORATION "COLFAX". THIS DOCUMENT IS FURNISHED ON THE UNDERSTANDING THAT THE DOCUMENT AND THE INFORMATION IT CONTAINS WILL NOT BE COPIED OR DISCLOSED TO OTHERS OR USED FOR ANY PURPOSE OTHER THAN CONDUCTING BUSINESS WITH COLFAX, AND WILL BE RETURNED AND ALL FURTHER USE DISCONTINUED UPON REQUEST BY COLFAX.

UNLESS OTHERWISE SPECIFIED DIMENSIONS ARE IN INCH TOLERANCES
 .XX ± 0.01
 .XXX ± 0.005
 ANG ± 0.5

MATERIAL
 SEE BILL OF MATERIAL ON SHEET 2 OF 3

DRAWN PLL 4/20/2001
 CHECKED
 PART WEIGHT = LBS
 SURFACE AREA = IN^2
 MODEL NUMBER = 119000249120
 DRAWING = 119000249120
 PRO/ENGINEER DRAWING SIZE D

	ZENITH PUMPS 5910 ELWIN BUCHANAN DRIVE SANFORD, NC 27330	
	C-9000 TYPE PUMP 2.4 CC/REV RANDOM 912	
SCALE 1:1 SHEET 3 OF 3	DRAWING NUMBER 11-90002-4912-0	