

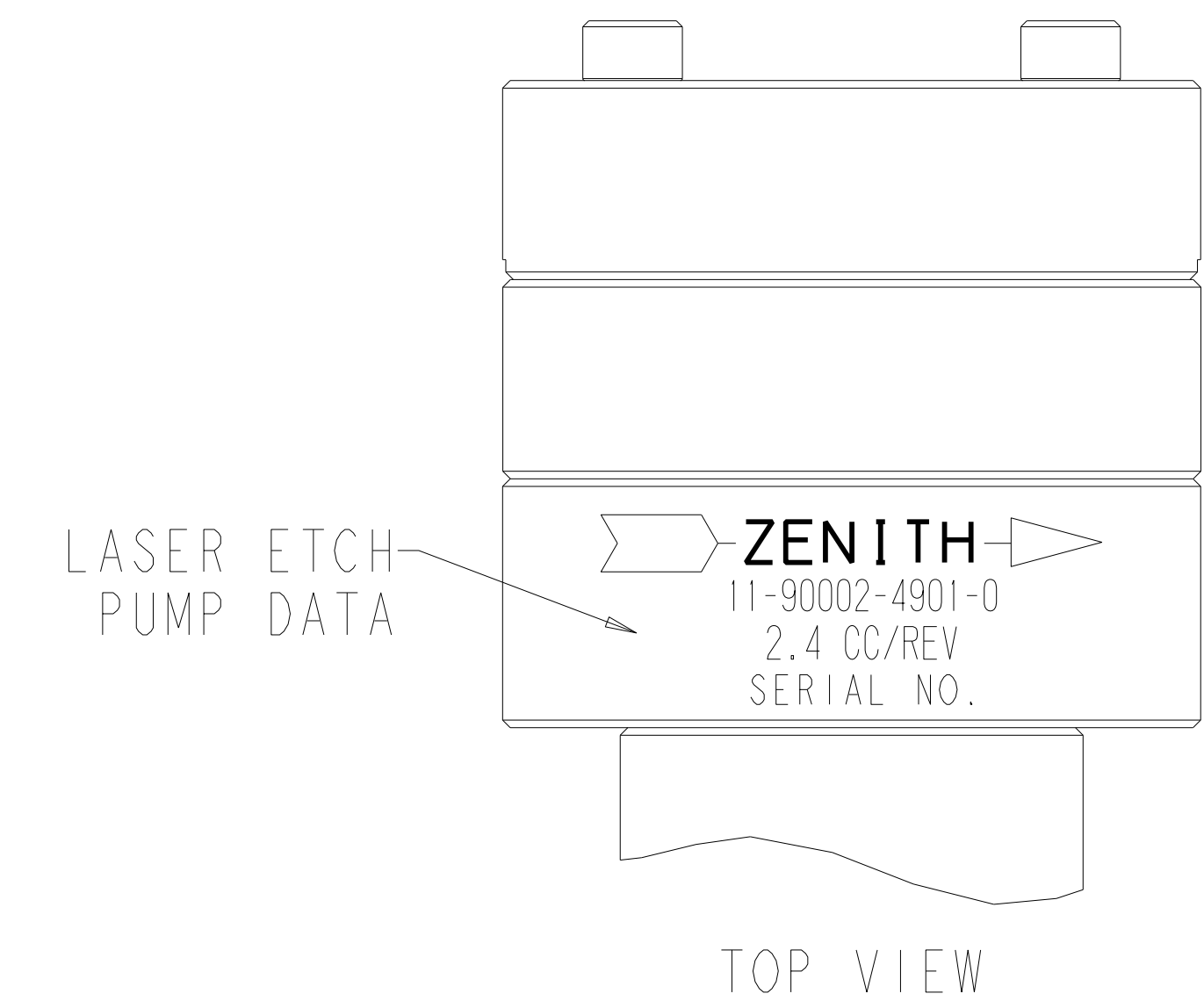
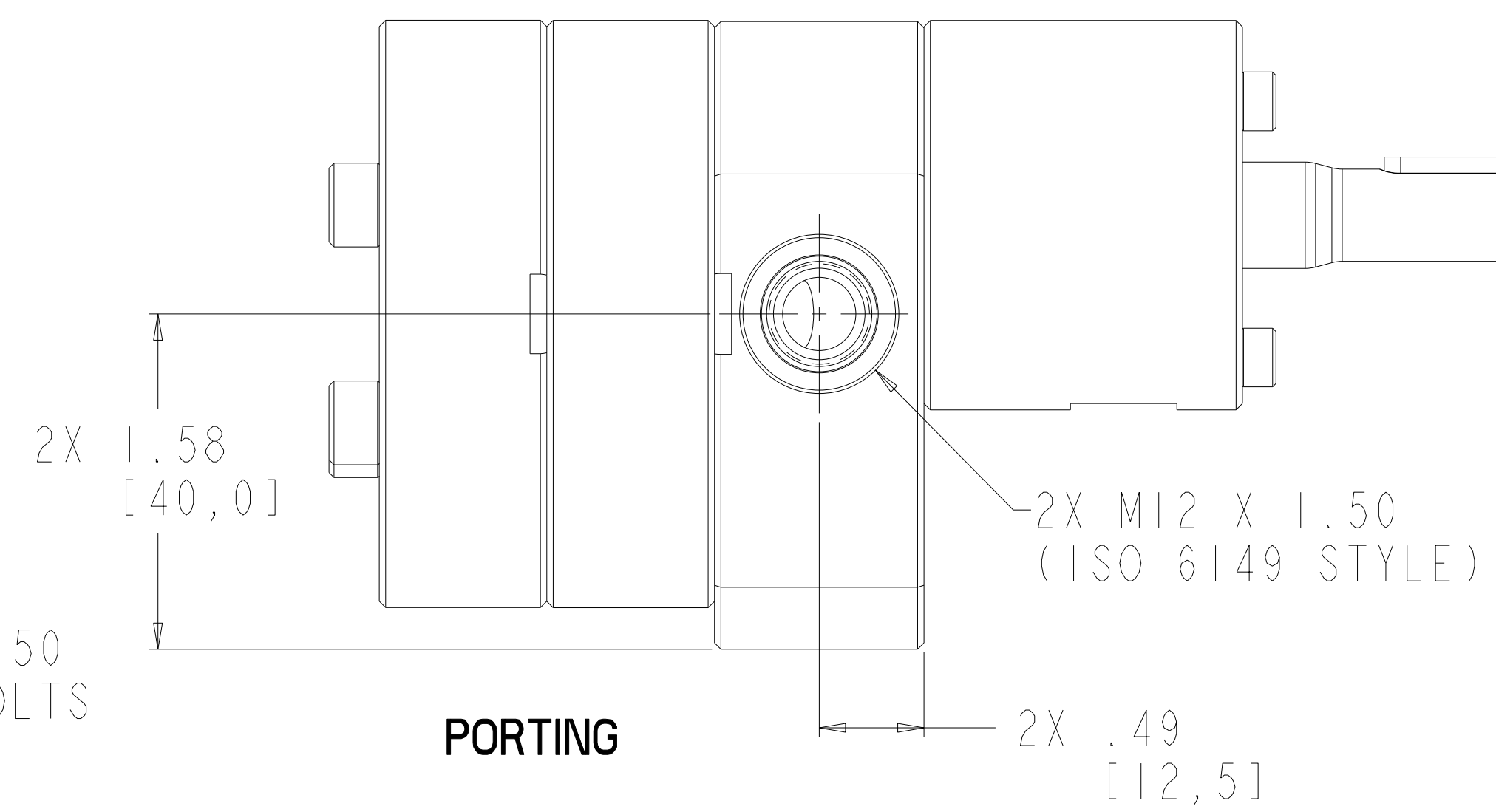
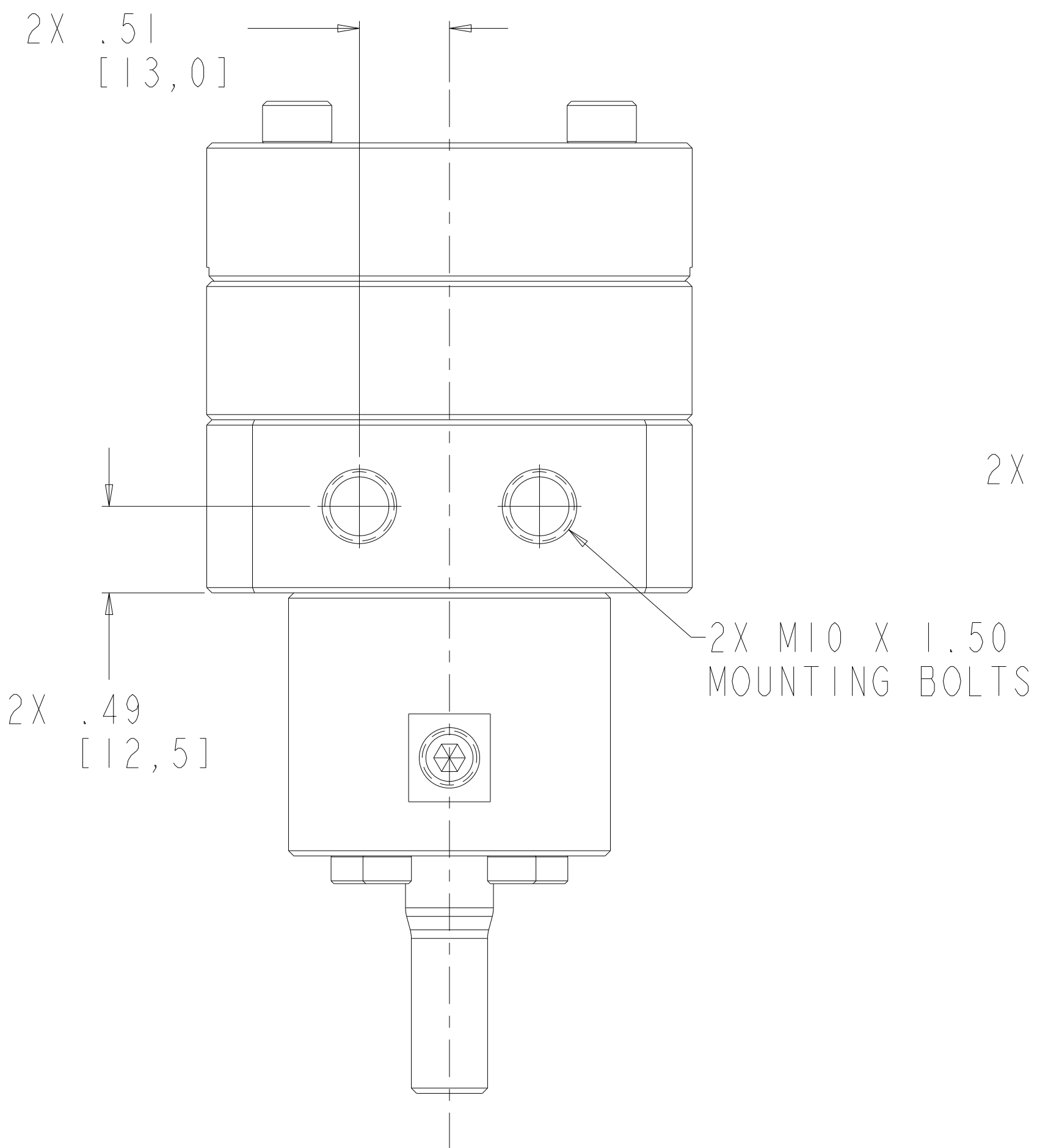
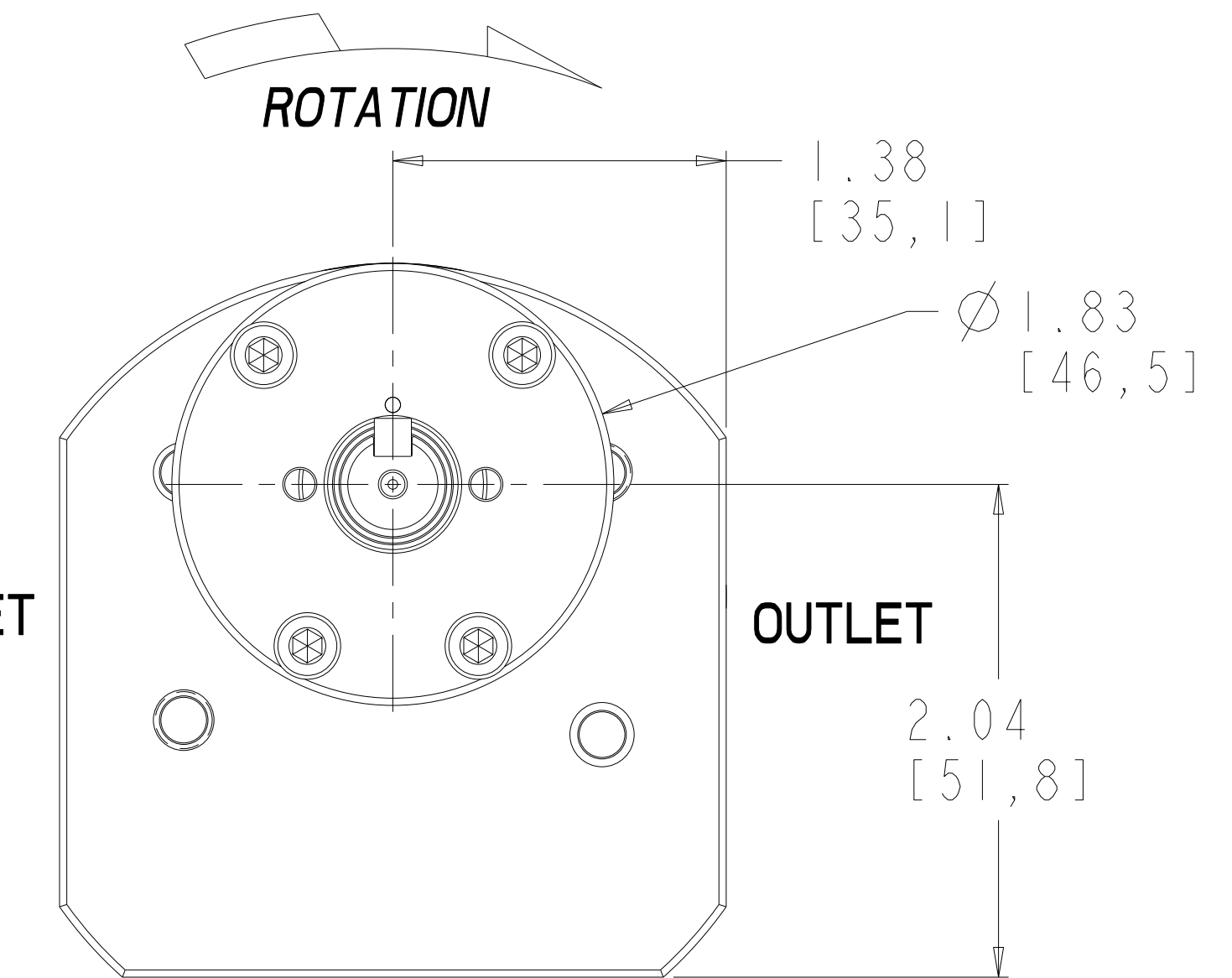
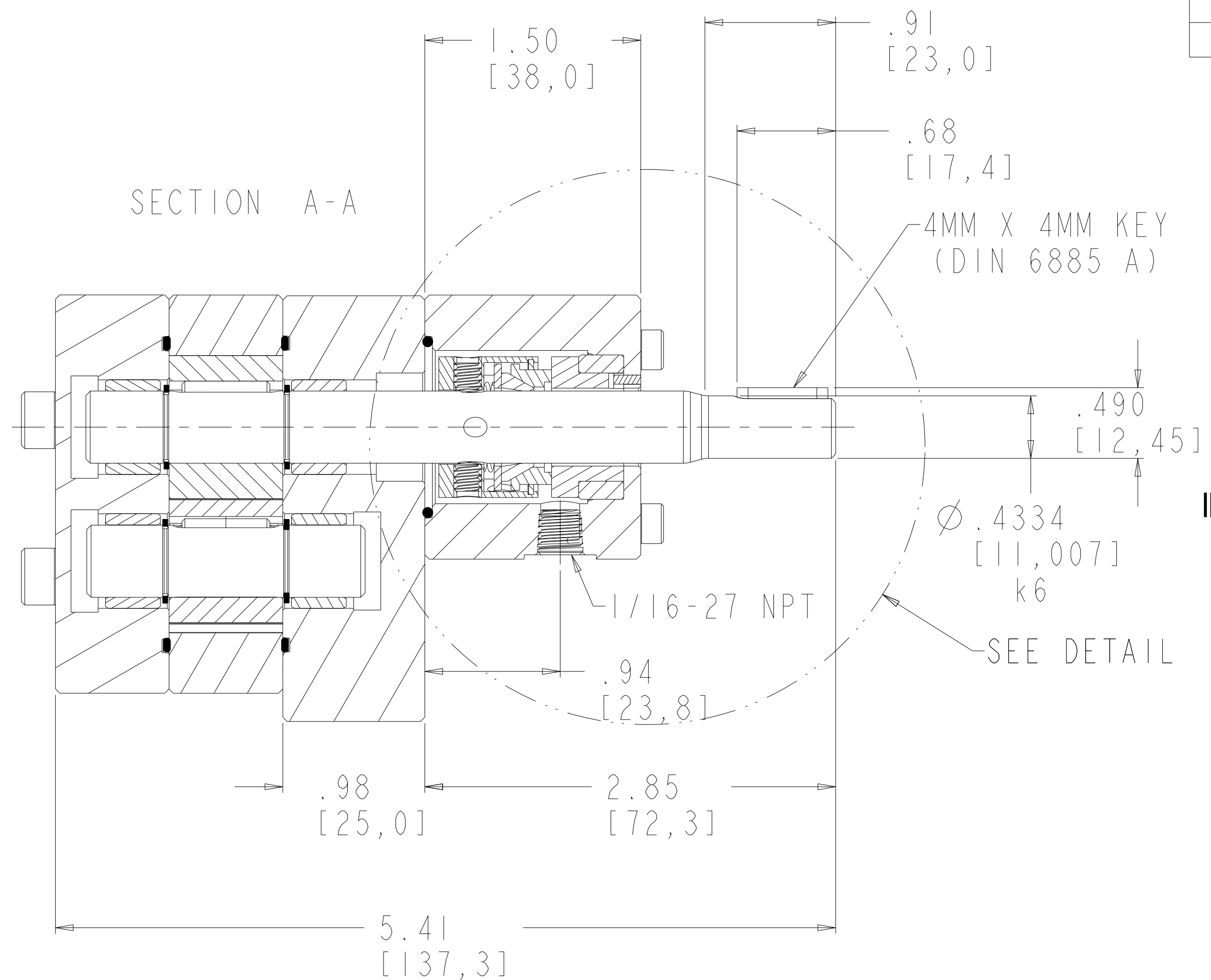
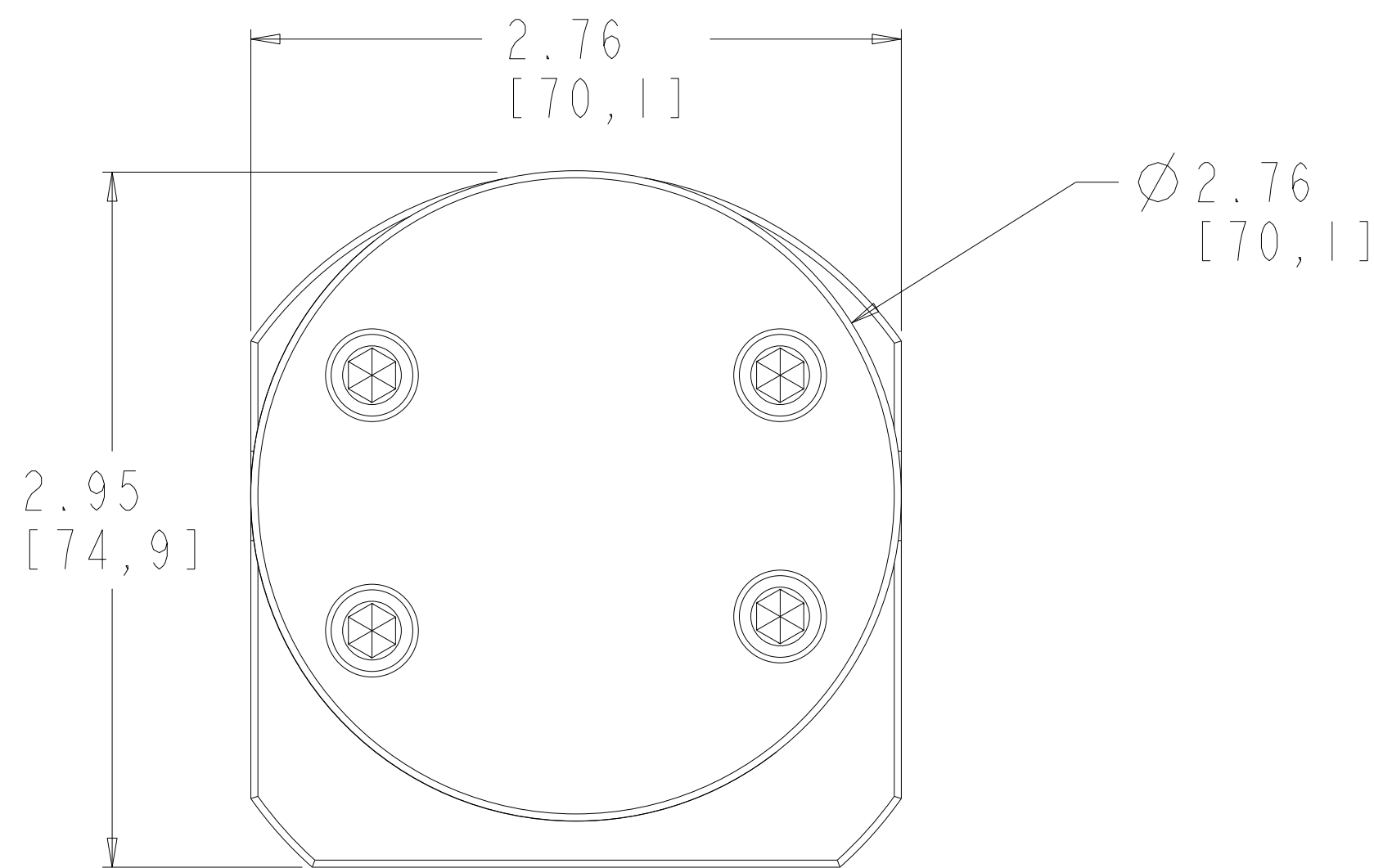
TORQUE CHART

M6 BOLTS LUBRICATED = 70 lb.-in. (7.9 N-m)

M4 BOLTS LUBRICATED = 20 lb.-in. (2.3N-m)

M10 BOLTS (MOUNTING) LUBRICATED = 335 lb.-in. (37.8 N-m)

REVISIONS			
LTR	DESCRIPTION	DATE	ECN NO.
M	QTY OF RTN RING WAS 3	1/5/05	341-2004
N	PLUG WAS 18-73000-0007-1	07/26/07	128-2007

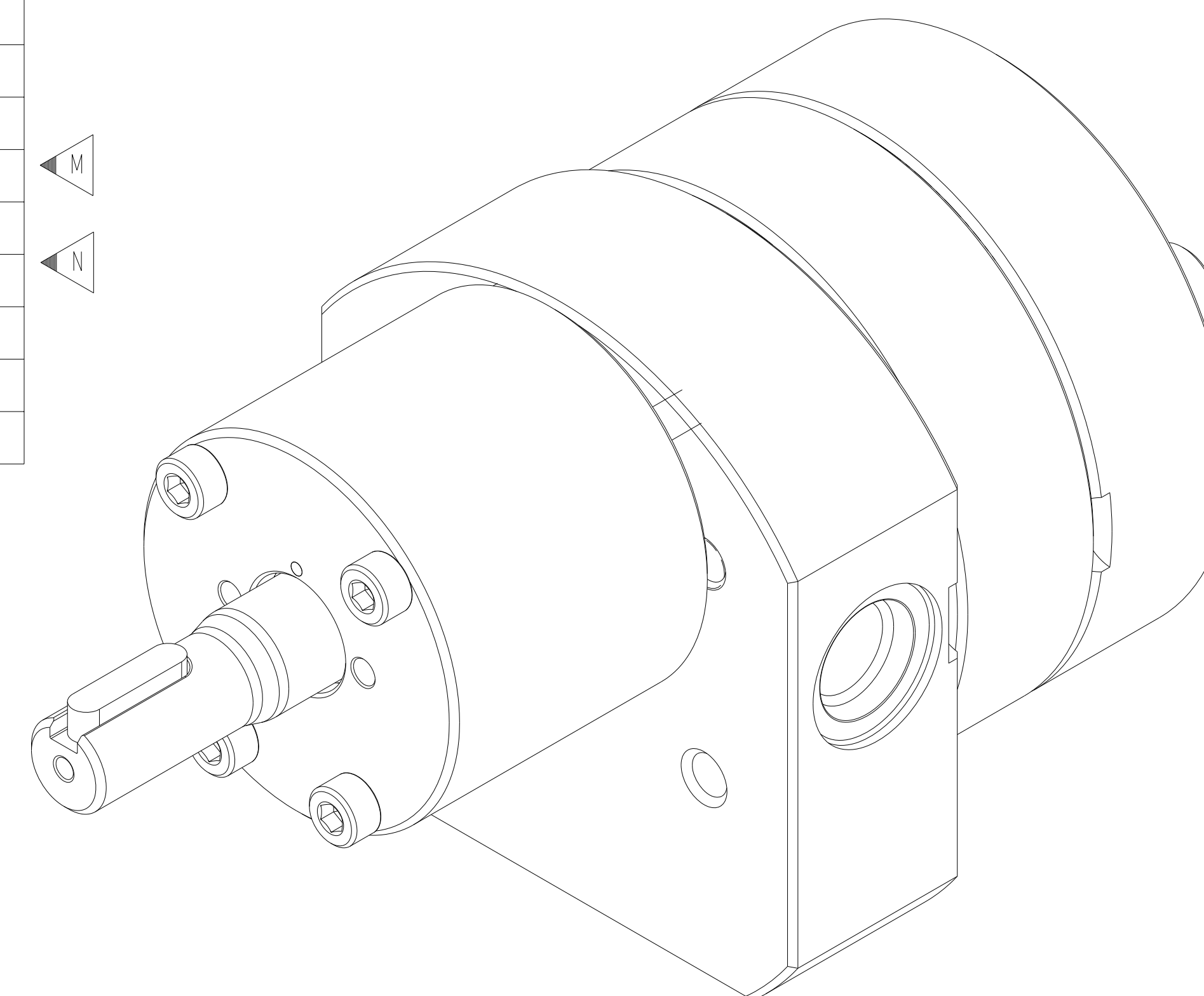


INTERPRET PER ASME-Y14.5M 1994

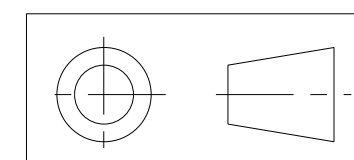
<p>THIS DOCUMENT CONTAINS INFORMATION THAT IS CONFIDENTIAL AND PROPRIETARY TO ZENITH PUMPS, COLFAX CORPORATION "COLFAX". THIS DOCUMENT IS FURNISHED ON THE UNDERSTANDING THAT THE DOCUMENT AND THE INFORMATION IT CONTAINS WILL NOT BE COPIED OR DISCLOSED TO OTHERS OR USED FOR ANY PURPOSE OTHER THAN CONDUCTING BUSINESS WITH COLFAX, AND WILL BE RETURNED AND ALL FURTHER USE DISCONTINUED UPON REQUEST BY COLFAX.</p>	<p>UNLESS OTHERWISE SPECIFIED DIMENSIONS ARE IN INCH TOLERANCES</p> <p>.XX ± 0.01 .XXX ± 0.005 ANG ± 0.5</p>	DRAWN LG	5/19/97	<p>ZENITH PUMPS 5910 ELWIN BUCHANAN DRIVE SANFORD, NC 27330</p>
		CHECKED		
<p>MATERIAL</p> <p>SEE BILL OF MATERIAL SHEET 2 OF 3</p>		PART WEIGHT =	LBS	<p>C-9000 TYPE PUMP 2.4 CC/REV RANDOM 901</p>
		SURFACE AREA =	IN^2	
		MODEL NUMBER = 119000249010 DRAWING = 119000249010		
PRO/ENGINEER DRAWING	SIZE D	SCALE 3:2	DRAWING NUMBER	11-90002-4901-0
		SHEET 1 OF 3		


ITEM No.	PART NUMBER	PART NAME	MATERIAL	QTY
	119000249010	C-9000 TYPE PUMP		1
2	157956800492	SHAFT, DRIVE	ZP2724	1
5	152360000642	GEAR, DRIVING	ZP2724	2
4	155600201781	KEY, ROUND	AISI 316	2
3	156925100374	PLATE, GEAR	ZPI222	1
7	146915100112	ASSEMBLY, REAR PLATE		1
20	156915100274	PLATE, REAR	ZPI222	1
23	150453100031	BEARING, SLEEVE	ZPI186	2
8	146945200112	ASSEMBLY, FRONT PLATE		1
21	156945200294	PLATE, FRONT	ZPI222	1
24	150453100031	BEARING, SLEEVE	ZPI186	2
10	151609100611	DOWEL, HOLLOW	17-4PH	2
9	150115600302	ARBOR	ZP2724	1
11	155402000293	HOUSING, SEAL	316SS PER MAT 306	1
19	189340610602	SHCS M6X1 X 60MM 316 SS		4
17	185600800061	KEY, SQUARE W/RND ENDS	STEEL 50-1K	1
18	189340410452	SHCS M4X0.7 X 45 MM 316 SS		4
13	187900300561	MECHANICAL SEAL, TYPE 9T	Q-F51-1-010-1	1
16	181831800122	RING - RETAINING	PH 15-7 MO	4
30	150013100642	SEAL ASSEMBLY TOOL	ACETAL COPOLYMER	1
35	187300000161	PLUG, DRYSEAL TYPE	316 S.S.	1
34	187650402101	O-RING	PTFE ENCAPSULATED	2
33	187650402091	O-RING	PTFE ENCAPSULATED	1
14	181830800111	ROLL PIN	STAINLESS STEEL	1

REVISIONS			
LTR	DESCRIPTION	DATE	ECN NO.
M	QTY OF RTN RING WAS 3	1/5/05	341-2004
N	PLUG WAS 18-73000-0007-1	07/26/07	128-2007



INTERPRET PER ASME-Y14.5M 1994



<small>THIS DOCUMENT CONTAINS INFORMATION THAT IS CONFIDENTIAL AND PROPRIETARY TO ZENITH PUMPS, COLFAX CORPORATION "COLFAX". THIS DOCUMENT IS FURNISHED ON THE UNDERSTANDING THAT THE DOCUMENT AND THE INFORMATION IT CONTAINS WILL NOT BE COPIED OR DISCLOSED TO OTHERS OR USED FOR ANY PURPOSE OTHER THAN CONDUCTING BUSINESS WITH COLFAX, AND WILL BE RETURNED AND ALL FURTHER USE DISCONTINUED UPON REQUEST BY COLFAX.</small>	<small>UNLESS OTHERWISE SPECIFIED DIMENSIONS ARE IN INCH TOLERANCES</small> .XX ± 0.01 .XXX ± 0.005 ANG ± 0.5	DRAWN LG 5/19/97 CHECKED PART WEIGHT = LBS SURFACE AREA = IN^2	 ZENITH PUMPS 5910 ELWIN BUCHANAN DRIVE SANFORD, NC 27330
	MATERIAL SEE BILL OF MATERIAL SHEET 2 OF 3	MODEL NUMBER = 119000249010 DRAWING = 119000249010 PRO/ENGINEER DRAWING SIZE D	

INSTALL SEAL ASSEMBLY TOOL ONTO SHAFT TO COVER KEYWAY DURING SEAL INSTALLATION, TO PREVENT DAMAGE.

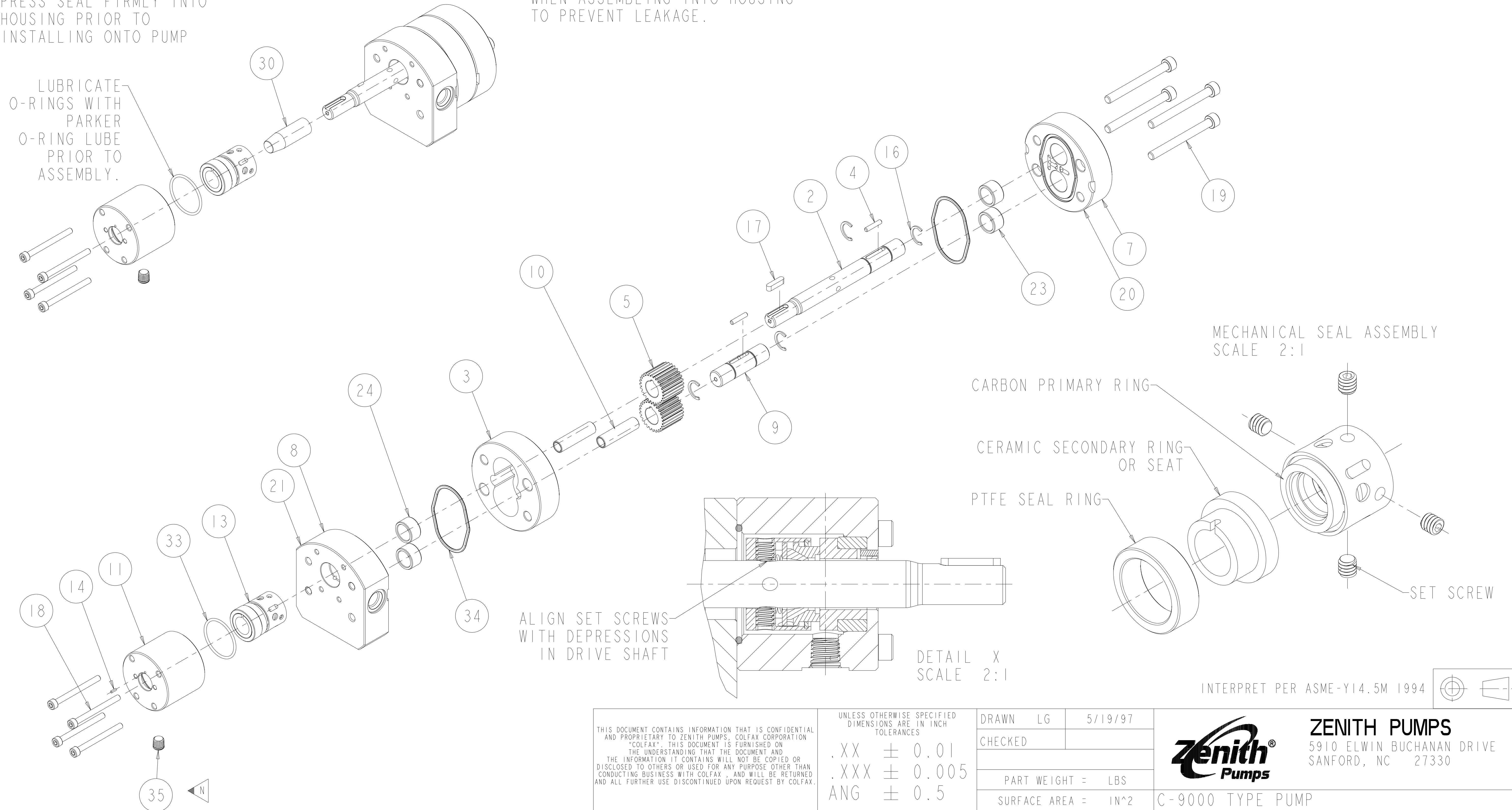
PRESS SEAL FIRMLY INTO HOUSING PRIOR TO INSTALLING ONTO PUMP

LUBRICATE O-RINGS WITH PARKER O-RING LUBE PRIOR TO ASSEMBLY.

LUBRICATE UNDERSIDE OF CAP & THREADS ON FASTENERS WITH ANTI-SEIZE COMPOUND PRIOR TO ASSEMBLY.

APPLY TEFLON TAPE TO PLUG THREADS WHEN ASSEMBLING INTO HOUSING TO PREVENT LEAKAGE.

REVISIONS			
LTR	DESCRIPTION	DATE	ECN NO.
M	QTY OF RTN RING WAS 3	1/5/05	341-2004
N	PLUG WAS 18-73000-0007-1	07/26/07	128-2007



INTERPRET PER ASME-Y14.5M 1994

<p>THIS DOCUMENT CONTAINS INFORMATION THAT IS CONFIDENTIAL AND PROPRIETARY TO ZENITH PUMPS, COLFAX CORPORATION "COLFAX". THIS DOCUMENT IS FURNISHED ON THE UNDERSTANDING THAT THE DOCUMENT AND THE INFORMATION IT CONTAINS WILL NOT BE COPIED OR DISCLOSED TO OTHERS OR USED FOR ANY PURPOSE OTHER THAN CONDUCTING BUSINESS WITH COLFAX, AND WILL BE RETURNED AND ALL FURTHER USE DISCONTINUED UPON REQUEST BY COLFAX.</p>	<p>UNLESS OTHERWISE SPECIFIED DIMENSIONS ARE IN INCH TOLERANCES</p> <p>.XX ± 0.01 .XXX ± 0.005 ANG ± 0.5</p>		<p>DRAWN LG 5/19/97</p>	<p>ZENITH PUMPS 5910 ELWIN BUCHANAN DRIVE SANFORD, NC 27330</p>
	<p>MATERIAL SEE BILL OF MATERIAL SHEET 2 OF 3</p>		<p>CHECKED</p>	
<p>PRO/ENGINEER DRAWING</p>			<p>SIZE D</p>	<p>C-9000 TYPE PUMP 2.4 CC/REV RANDOM 901</p>
<p>SCALE 3:4</p>			<p>SHEET 3 OF 3</p>	<p>DRAWING NUMBER 11-90002-4901-0</p>