

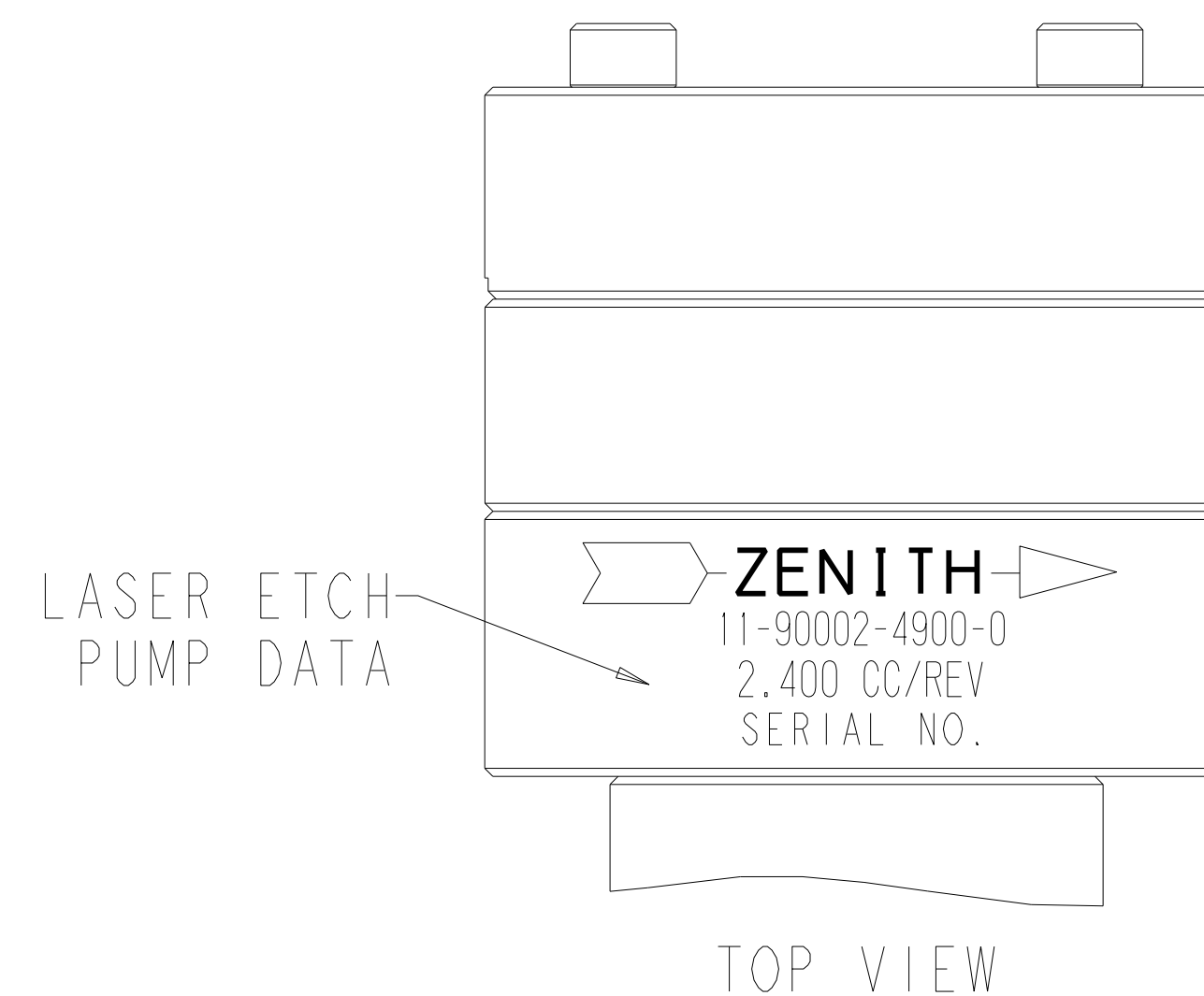
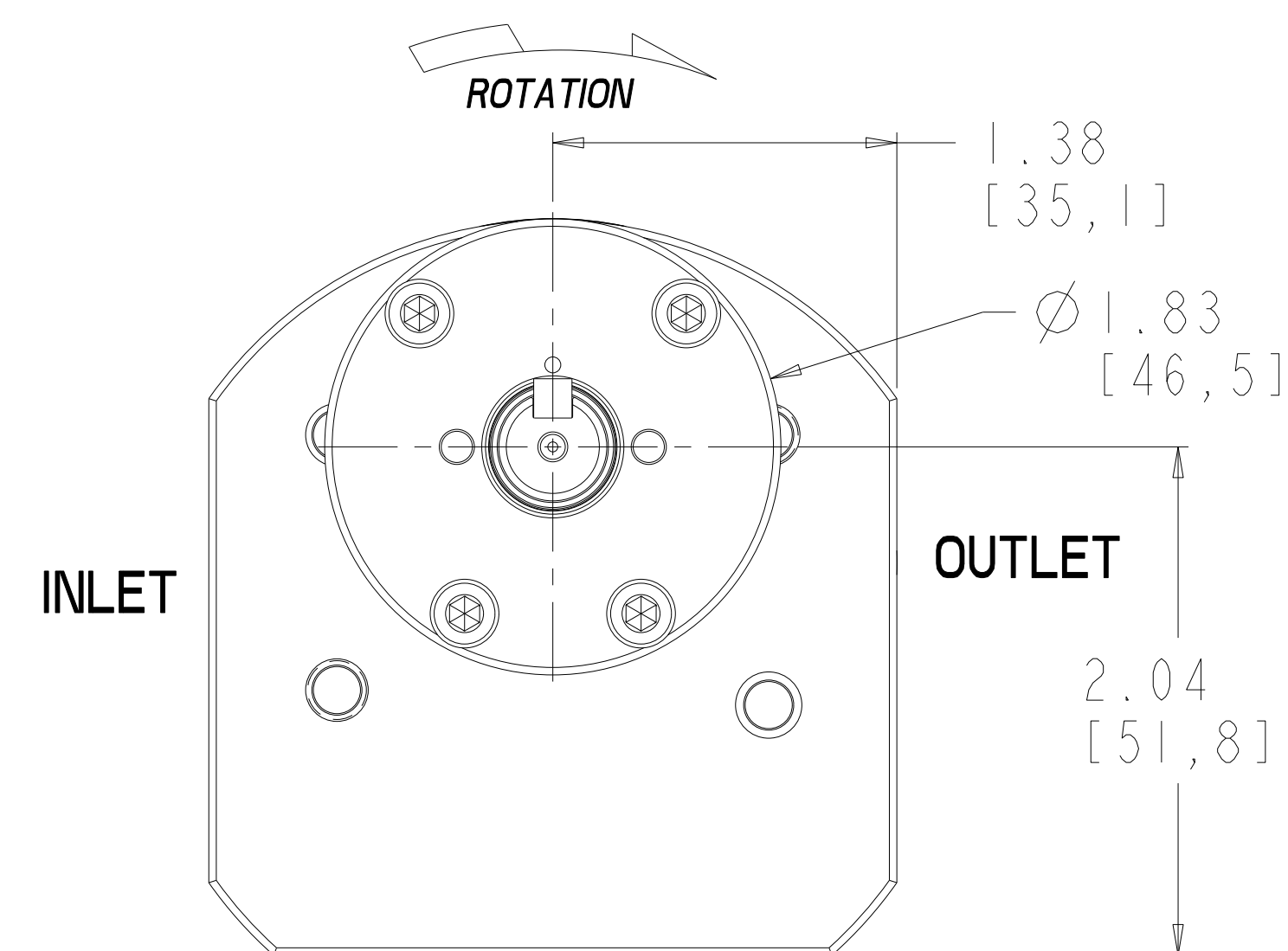
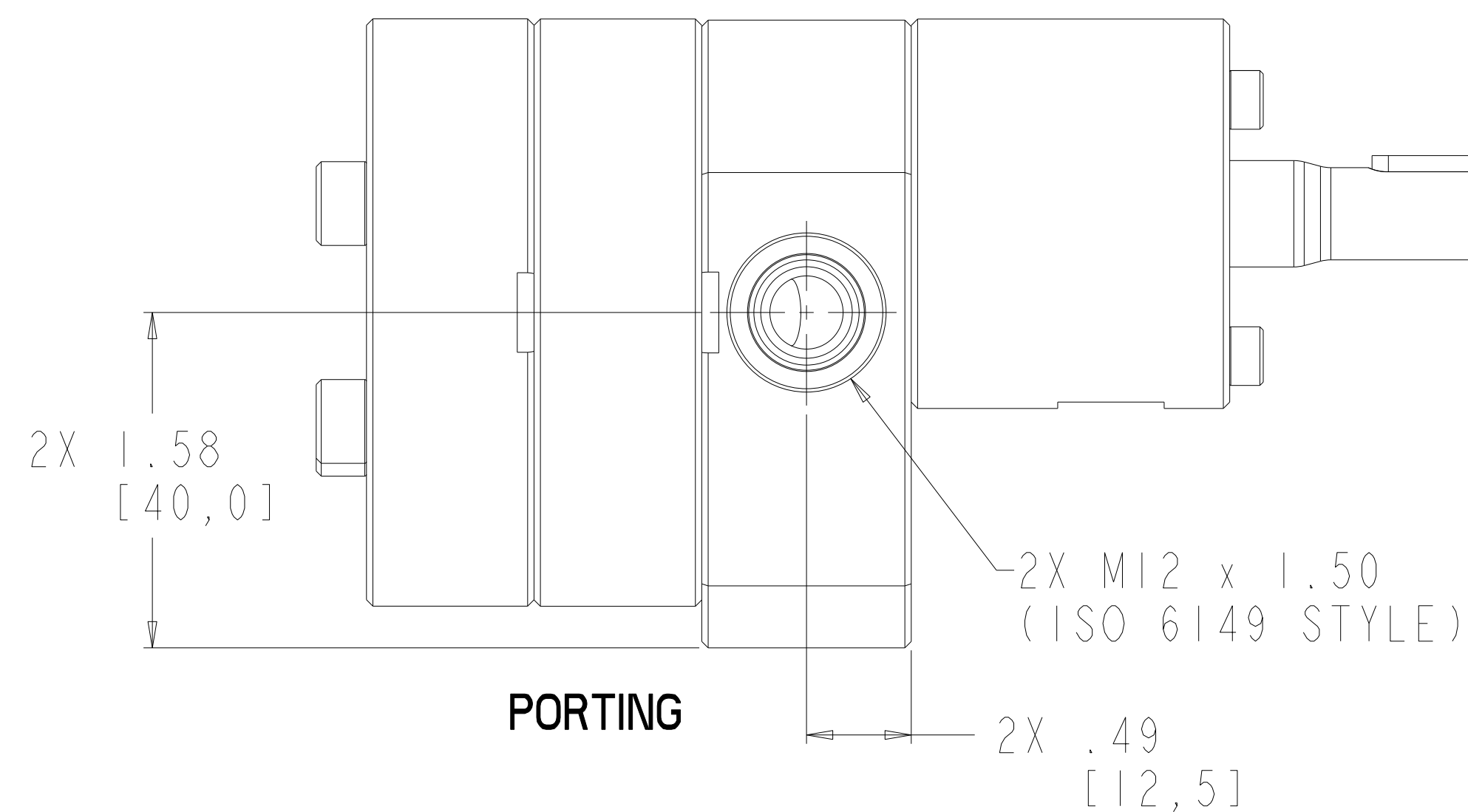
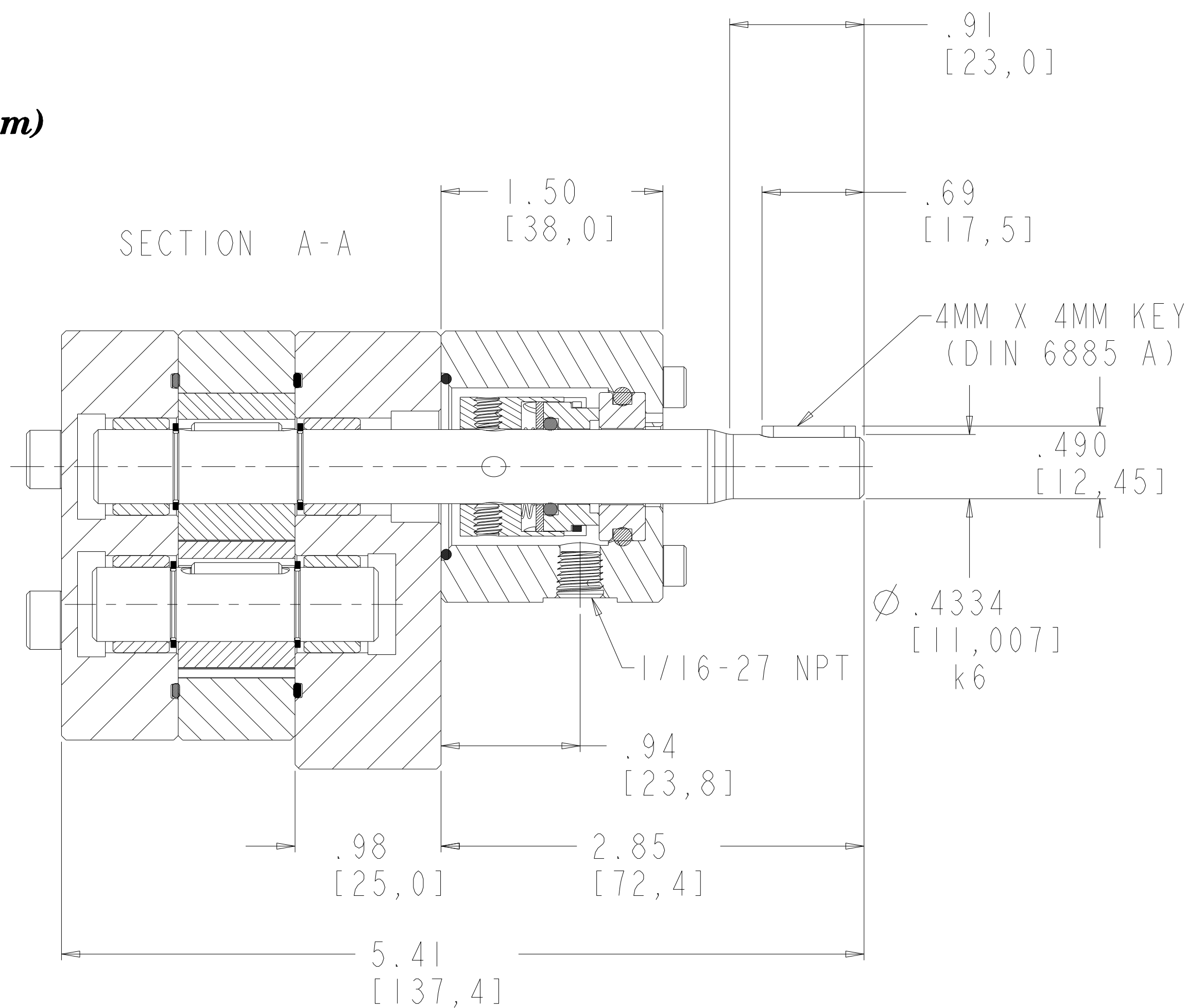
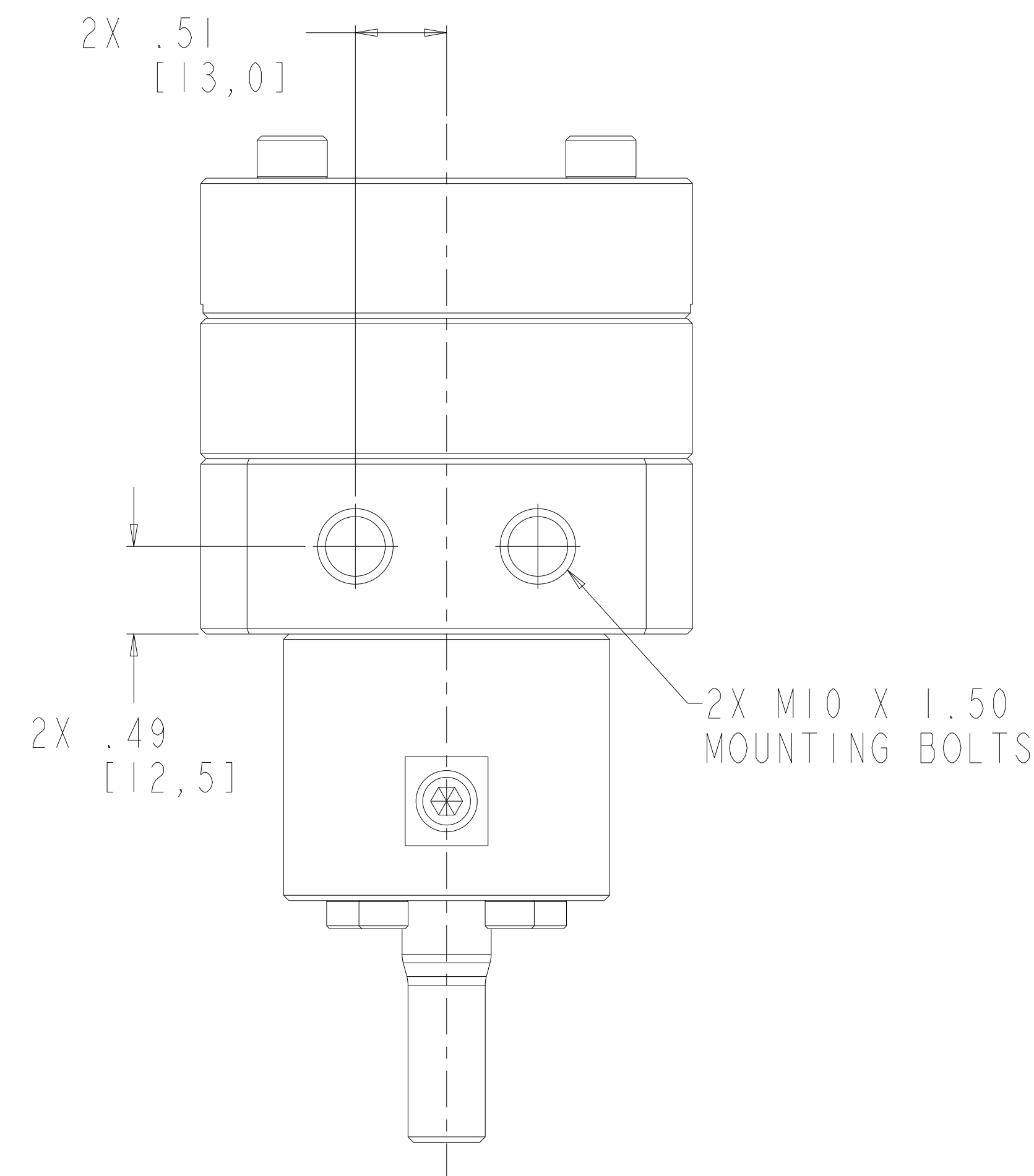
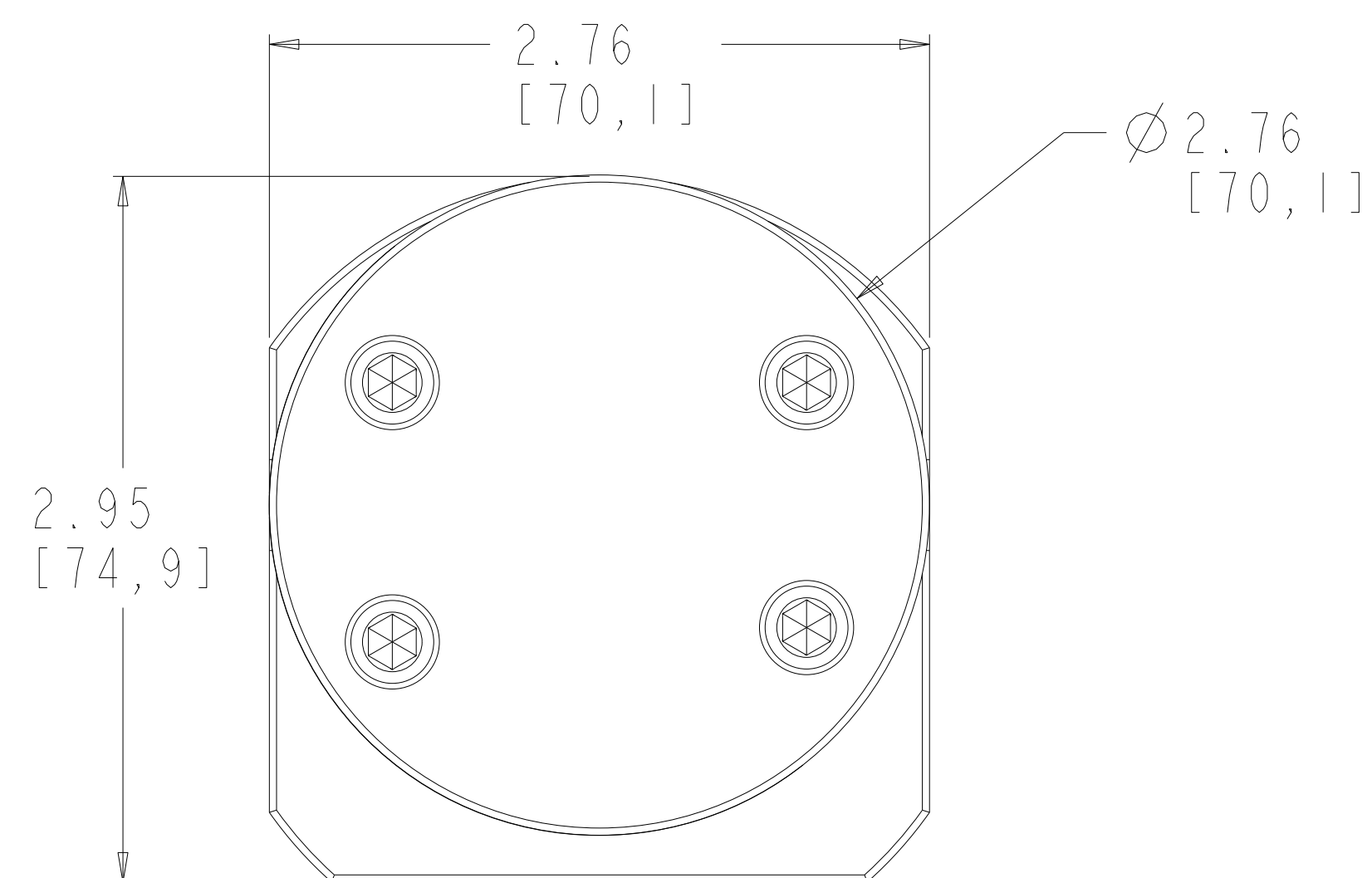
TORQUE CHART

M6 BOLTS LUBRICATED = 70 lb.-in. (7.9 N-m)

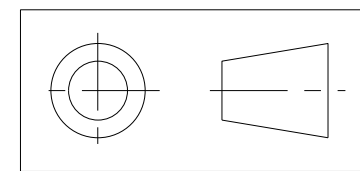
M4 BOLTS LUBRICATED = 20 lb.-in. (2.3N-m)

M10 BOLTS (MOUNTING) LUBRICATED = 335 lb.-in. (37.8 N-m)

REVISIONS			
LTR	DESCRIPTION	DATE	ECN NO.
L	PLUG WAS 18-73000-0007-1	07/26/07	128-2007



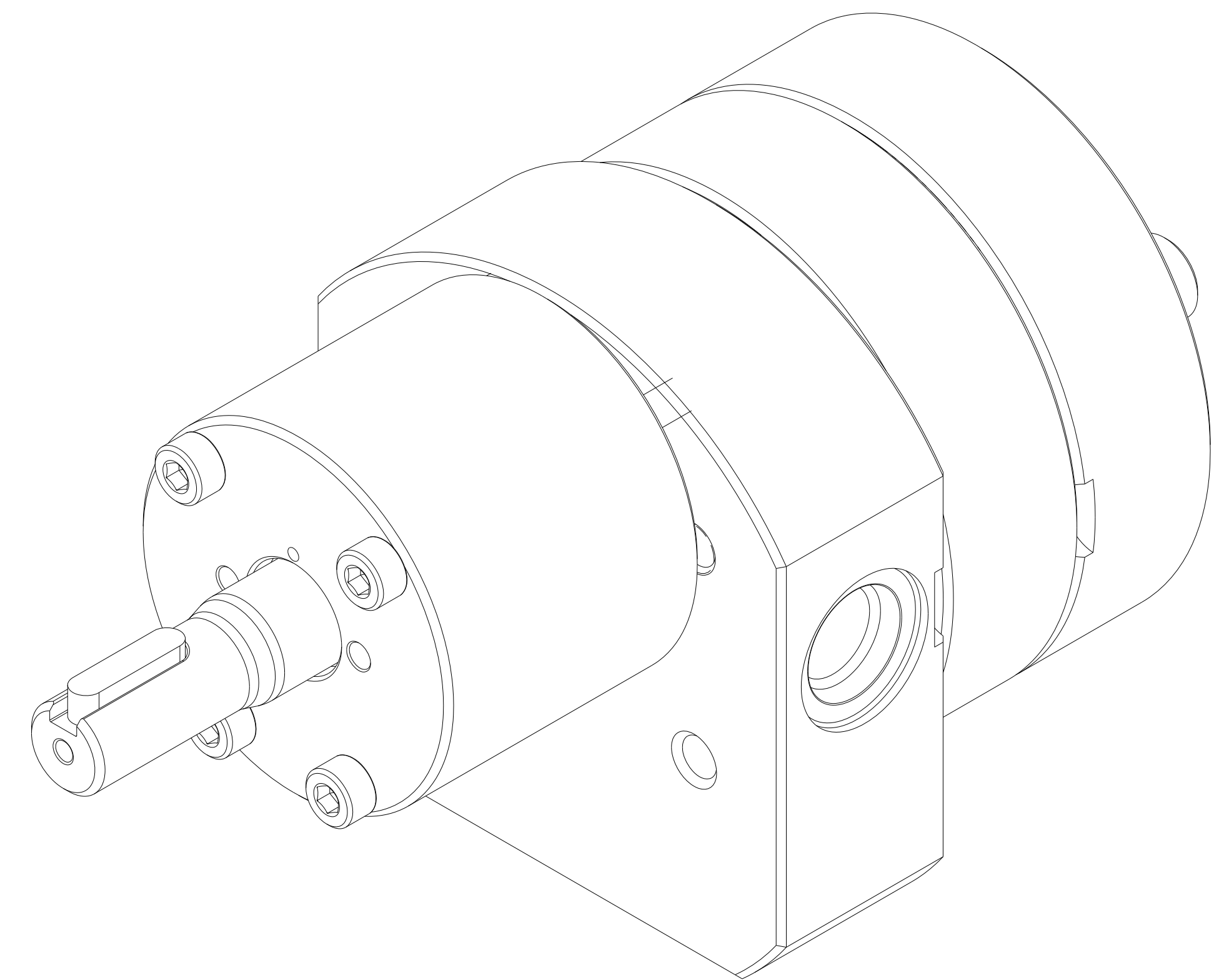
INTERPRET PER ASME-Y14.5M 1994



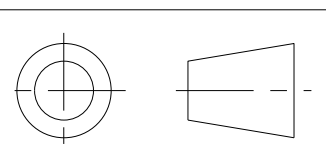
<p>THIS DOCUMENT CONTAINS INFORMATION THAT IS CONFIDENTIAL AND PROPRIETARY TO ZENITH PUMPS, COLFAX CORPORATION "COLFAX". THIS DOCUMENT IS FURNISHED ON THE UNDERSTANDING THAT THE DOCUMENT AND THE INFORMATION IT CONTAINS WILL NOT BE COPIED OR DISCLOSED TO OTHERS OR USED FOR ANY PURPOSE OTHER THAN CONDUCTING BUSINESS WITH COLFAX, AND WILL BE RETURNED AND ALL FURTHER USE DISCONTINUED UPON REQUEST BY COLFAX.</p>	<p>UNLESS OTHERWISE SPECIFIED DIMENSIONS ARE IN INCH TOLERANCES</p> <p>.XX ± 0.01 .XXX ± 0.005 ANG ± 0.5</p>	DRAWN LGC 9/3/96	<p>ZENITH PUMPS 5910 ELWIN BUCHANAN DRIVE SANFORD, NC 27330</p>
		CHECKED	
<p>MATERIAL</p> <p>SEE BILL OF MATERIALS ON SHEET 2</p>	<p>PRO/ENGINEER DRAWING</p> <p>SIZE D</p>	<p>MODEL NUMBER = 119000249000</p> <p>DRAWING = 119000249000</p>	<p>C-9000 TYPE PUMP</p> <p>2.4 CC/REV RANDOM 900</p>
		<p>SHEET 1 OF 3</p>	<p>SCALE 3:2</p> <p>DRAWING NUMBER</p> <p>11-90002-4900-0</p>


ITEM No.	PART NUMBER	PART NAME	MATERIAL	QTY
	119000249000	C-9000 TYPE PUMP		1
5	152360000642	GEAR, DRIVING	ZP2724	2
16	181831800122	RING - RETAINING	PH 15-7 MO	4
2	157956800492	SHAFT, DRIVE	ZP2724	1
4	155600201781	KEY, ROUND	AISI 316	2
3	156925100374	PLATE, GEAR	ZPI222	1
7	146915100112	ASSEMBLY, REAR PLATE		1
20	156915100274	PLATE, REAR	ZPI222	1
23	150453100031	BEARING, SLEEVE	ZPI186	2
34	187650402101	O-RING	PTFE ENCAPSULATED	2
8	146945200112	ASSEMBLY, FRONT PLATE		1
21	156945200294	PLATE, FRONT	ZPI222	1
24	150453100031	BEARING, SLEEVE	ZPI186	2
10	151609100611	DOWEL, HOLLOW	17-4PH	2
9	150115600302	ARBOR	ZP2724	1
19	189340610602	SHCS M6X1 X 60MM 316 SS		4
17	185600800061	KEY, SQUARE W/RND ENDS	STEEL 50-1K	1
30	150013100642	SEAL ASSEMBLY TOOL	ACETAL COPOLYMER	1
11	155402000293	HOUSING, SEAL	316SS PER MAT 306	1
33	187650402091	O-RING	PTFE ENCAPSULATED	1
13	187900300531	TYPE 8-IT MECHANICAL SEAL	X VITON O-RING	1
18	189340410452	SHCS M4X0.7 X 45 MM 316 SS		4
35	187300000161	PLUG, DRYSEAL TYPE	316 S.S.	1

REVISIONS			
LTR	DESCRIPTION	DATE	ECN NO.
L	PLUG WAS 18-73000-0007-1	07/26/07	128-2007

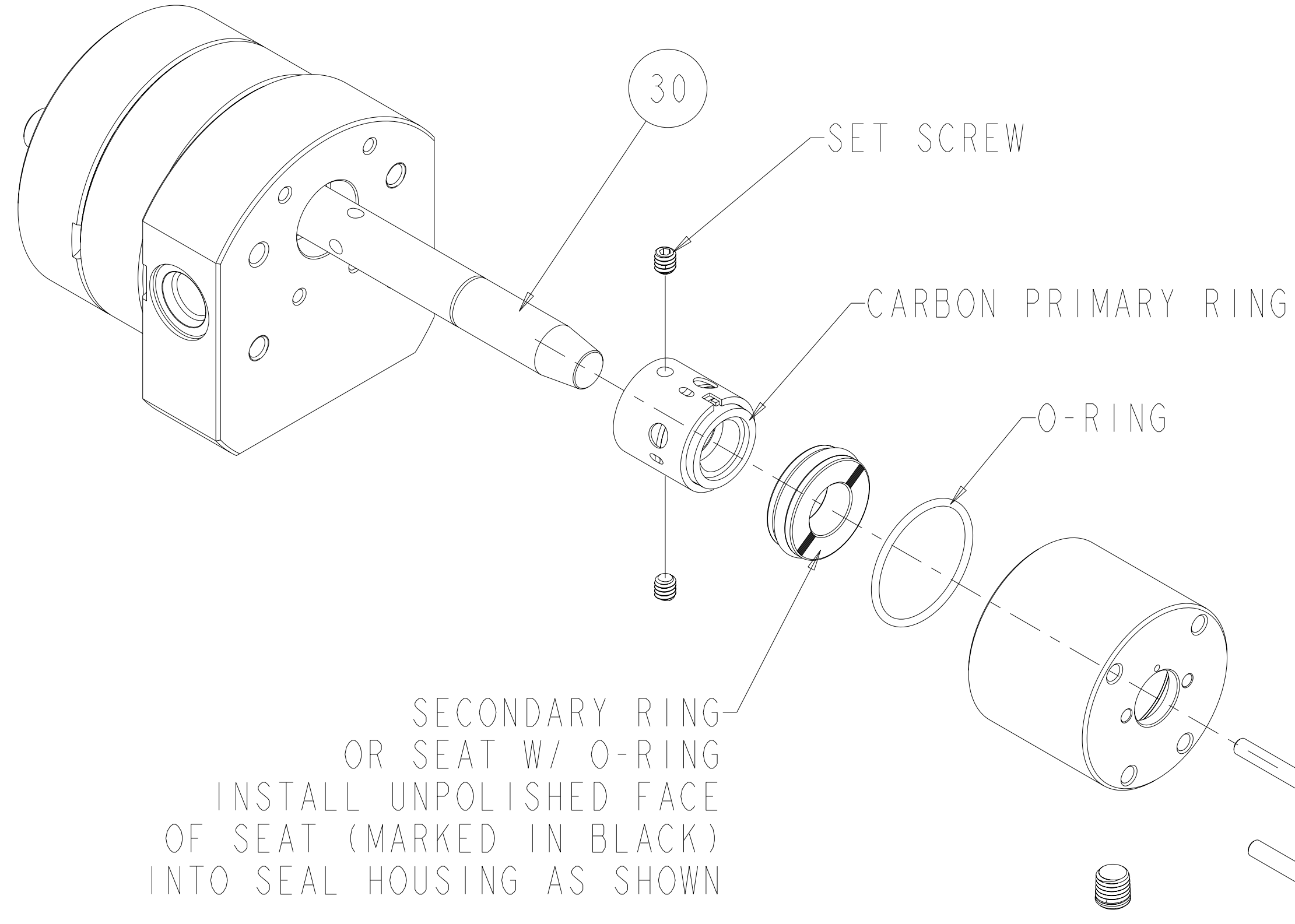


INTERPRET PER ASME-Y14.5M 1994



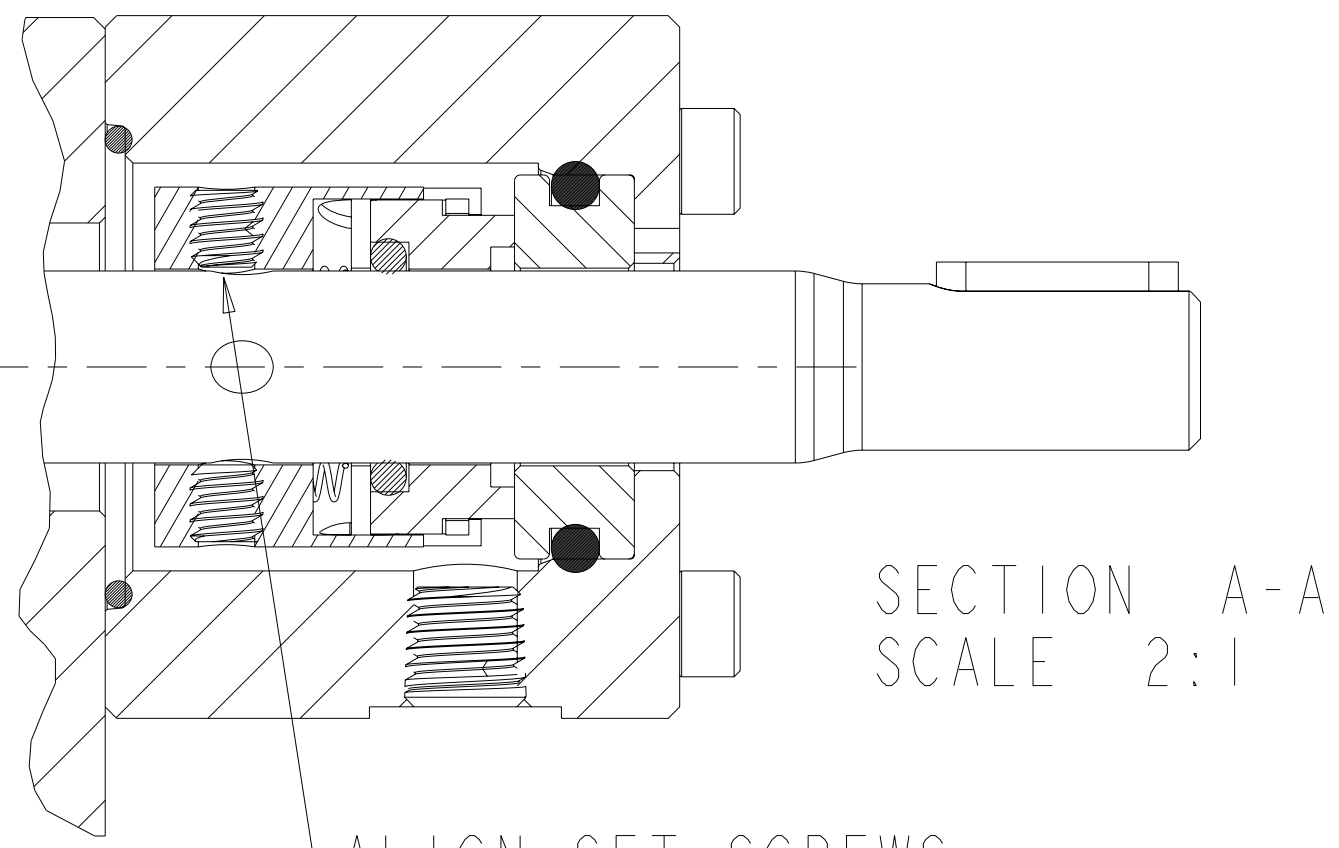
<small>THIS DOCUMENT CONTAINS INFORMATION THAT IS CONFIDENTIAL AND PROPRIETARY TO ZENITH PUMPS, COLFAX CORPORATION "COLFAX". THIS DOCUMENT IS FURNISHED ON THE UNDERSTANDING THAT THE DOCUMENT AND THE INFORMATION IT CONTAINS WILL NOT BE COPIED OR DISCLOSED TO OTHERS OR USED FOR ANY PURPOSE OTHER THAN CONDUCTING BUSINESS WITH COLFAX, AND WILL BE RETURNED AND ALL FURTHER USE DISCONTINUED UPON REQUEST BY COLFAX.</small>	<small>UNLESS OTHERWISE SPECIFIED DIMENSIONS ARE IN INCH TOLERANCES</small> .XX ± 0.01 .XXX ± 0.005 ANG ± 0.5	DRAWN LGC	9/3/96	 ZENITH PUMPS 5910 ELWIN BUCHANAN DRIVE SANFORD, NC 27330
		CHECKED		
MATERIAL SEE BILL OF MATERIALS ON SHEET 2		MODEL NUMBER = 119000249000	DRAWING = 119000249000	C-9000 TYPE PUMP
		PRO/ENGINEER DRAWING	SIZE D	2.4 CC/REV RANDOM 900
		SHEET 2 OF 3	DRAWING NUMBER	11-90002-4900-0

REVISIONS			
LTR	DESCRIPTION	DATE	ECN NO.
L	PLUG WAS 18-73000-0007-1	07/26/07	128-2007

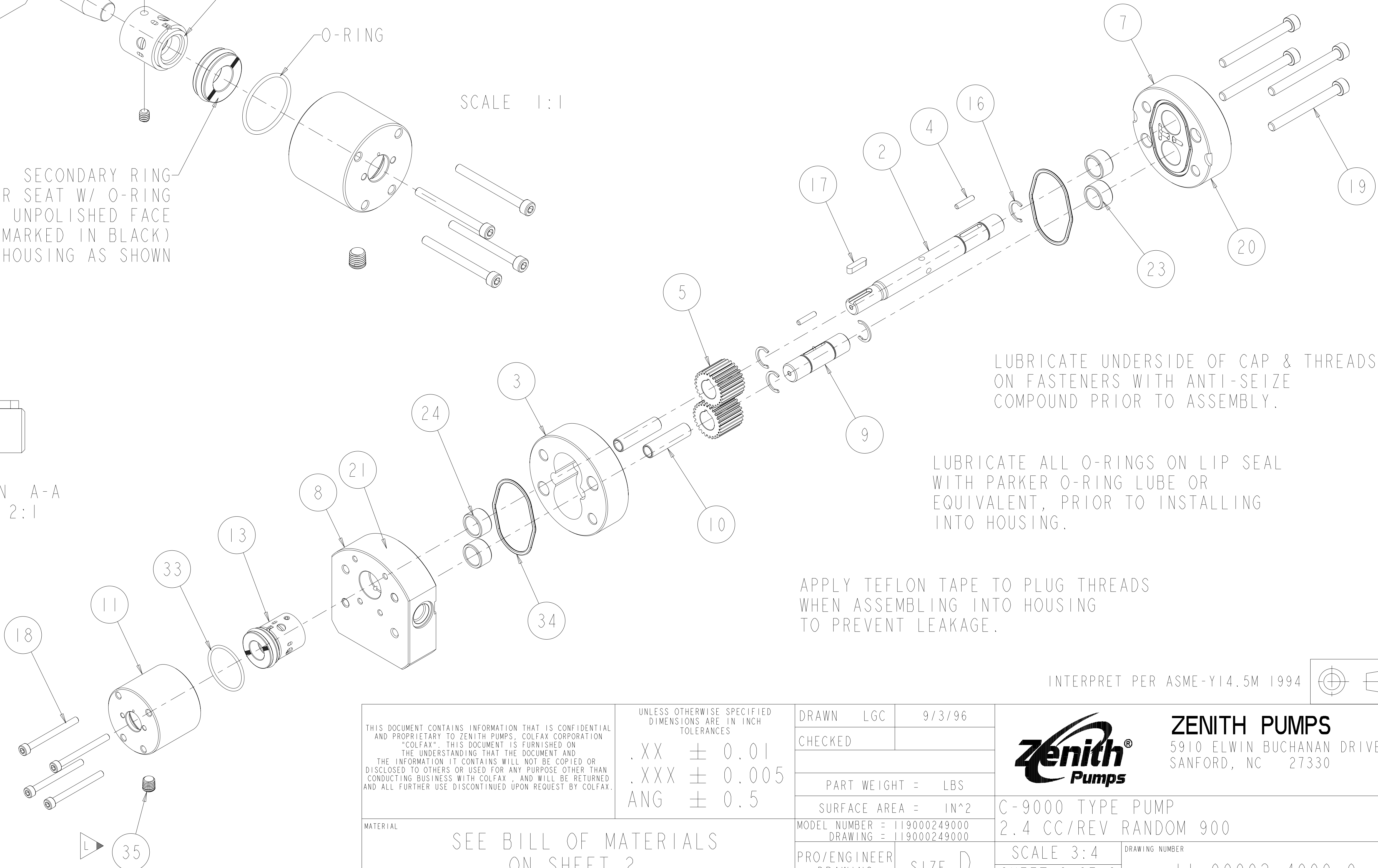


INSTALL SEAL ASSEMBLY TOOL ONTO SHAFT TO COVER KEYWAY DURING SEAL INSTALLATION, TO PREVENT DAMAGE.

SCALE 1:1



ALIGN SET SCREWS WITH DEPRESSIONS IN DRIVE SHAFT



LUBRICATE UNDERSIDE OF CAP & THREADS ON FASTENERS WITH ANTI-SEIZE COMPOUND PRIOR TO ASSEMBLY.

LUBRICATE ALL O-RINGS ON LIP SEAL WITH PARKER O-RING LUBE OR EQUIVALENT, PRIOR TO INSTALLING INTO HOUSING.

APPLY TEFLON TAPE TO PLUG THREADS WHEN ASSEMBLING INTO HOUSING TO PREVENT LEAKAGE.

INTERPRET PER ASME-Y14.5M 1994

THIS DOCUMENT CONTAINS INFORMATION THAT IS CONFIDENTIAL AND PROPRIETARY TO ZENITH PUMPS, COLFAX CORPORATION "COLFAX". THIS DOCUMENT IS FURNISHED ON THE UNDERSTANDING THAT THE DOCUMENT AND THE INFORMATION IT CONTAINS WILL NOT BE COPIED OR DISCLOSED TO OTHERS OR USED FOR ANY PURPOSE OTHER THAN CONDUCTING BUSINESS WITH COLFAX, AND WILL BE RETURNED AND ALL FURTHER USE DISCONTINUED UPON REQUEST BY COLFAX.	UNLESS OTHERWISE SPECIFIED DIMENSIONS ARE IN INCH TOLERANCES		DRAWN LGC 9/3/96	ZENITH PUMPS 5910 ELWIN BUCHANAN DRIVE SANFORD, NC 27330	
	.XX ± 0.01	.XXX ± 0.005	ANG ± 0.5		CHECKED
MATERIAL	SEE BILL OF MATERIALS ON SHEET 2		PART WEIGHT = LBS	C-9000 TYPE PUMP 2.4 CC/REV RANDOM 900	
			SURFACE AREA = IN ²		SCALE 3:4
			MODEL NUMBER = 119000249000 DRAWING = 119000249000		PRO/ENGINEER DRAWING SIZE D
			SHEET 3 OF 3		