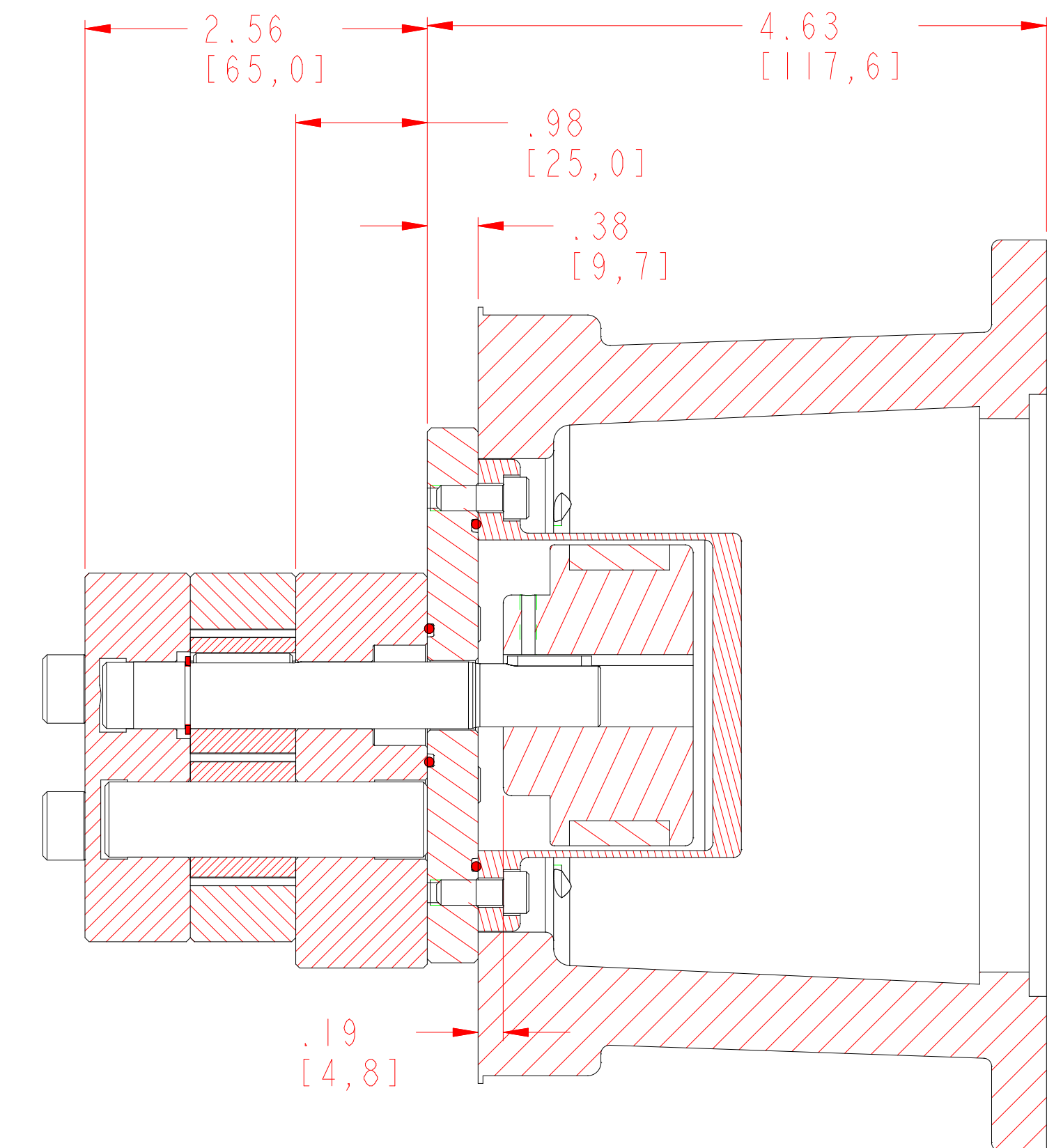
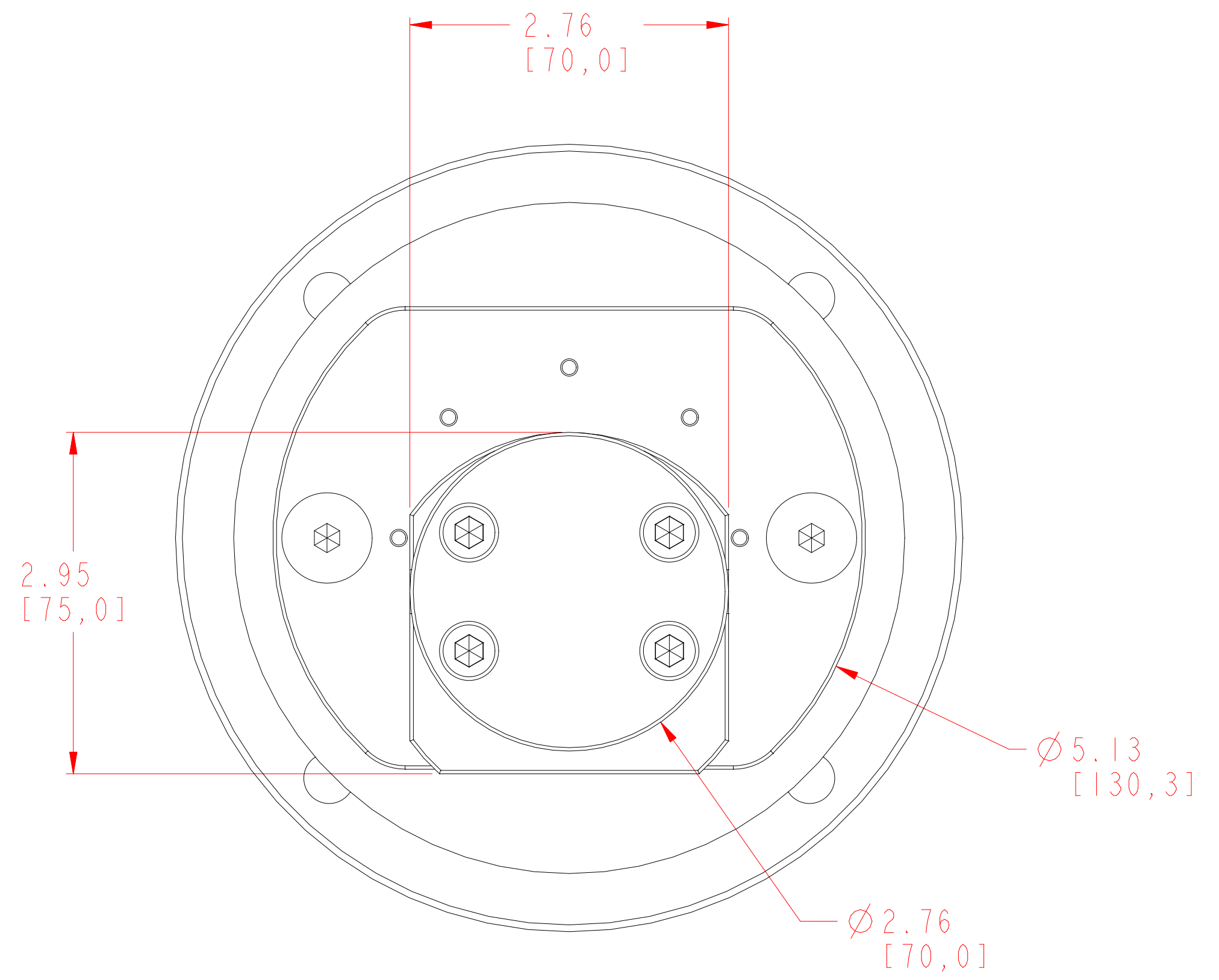
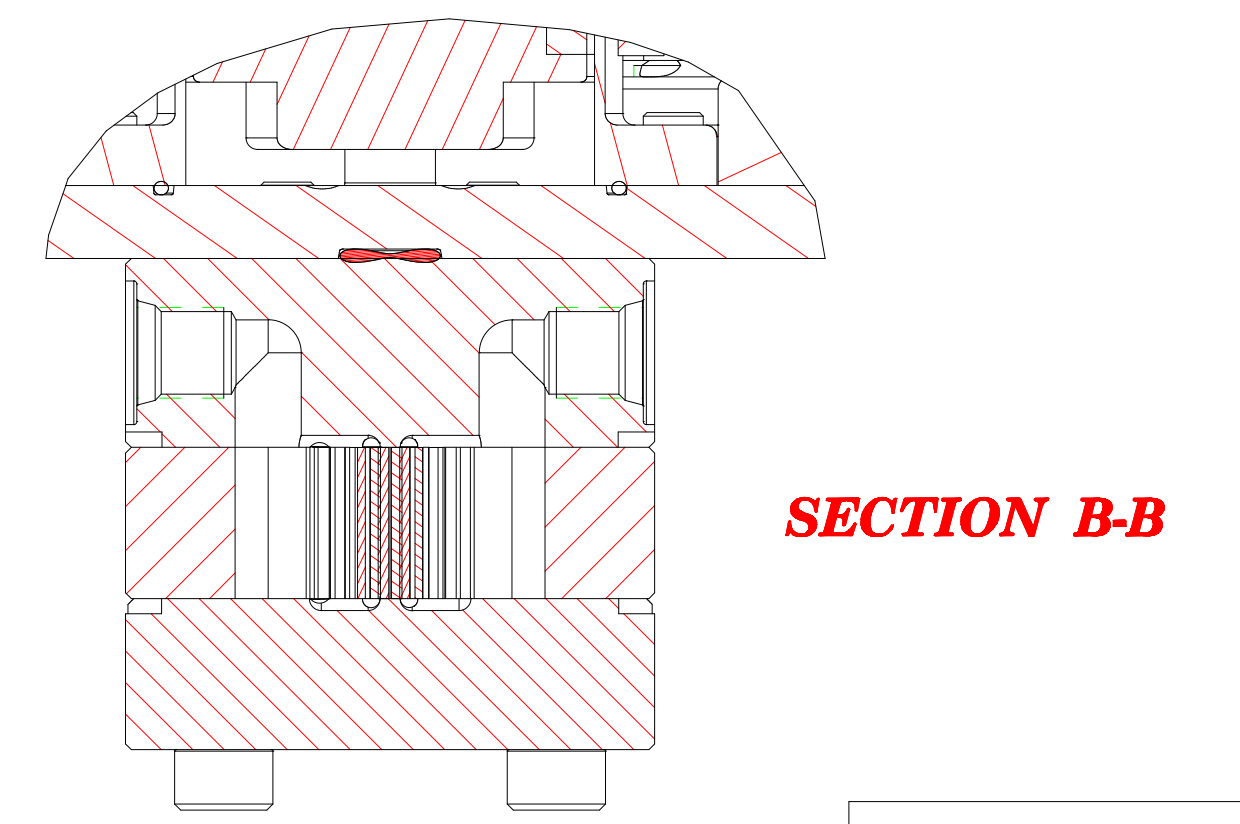
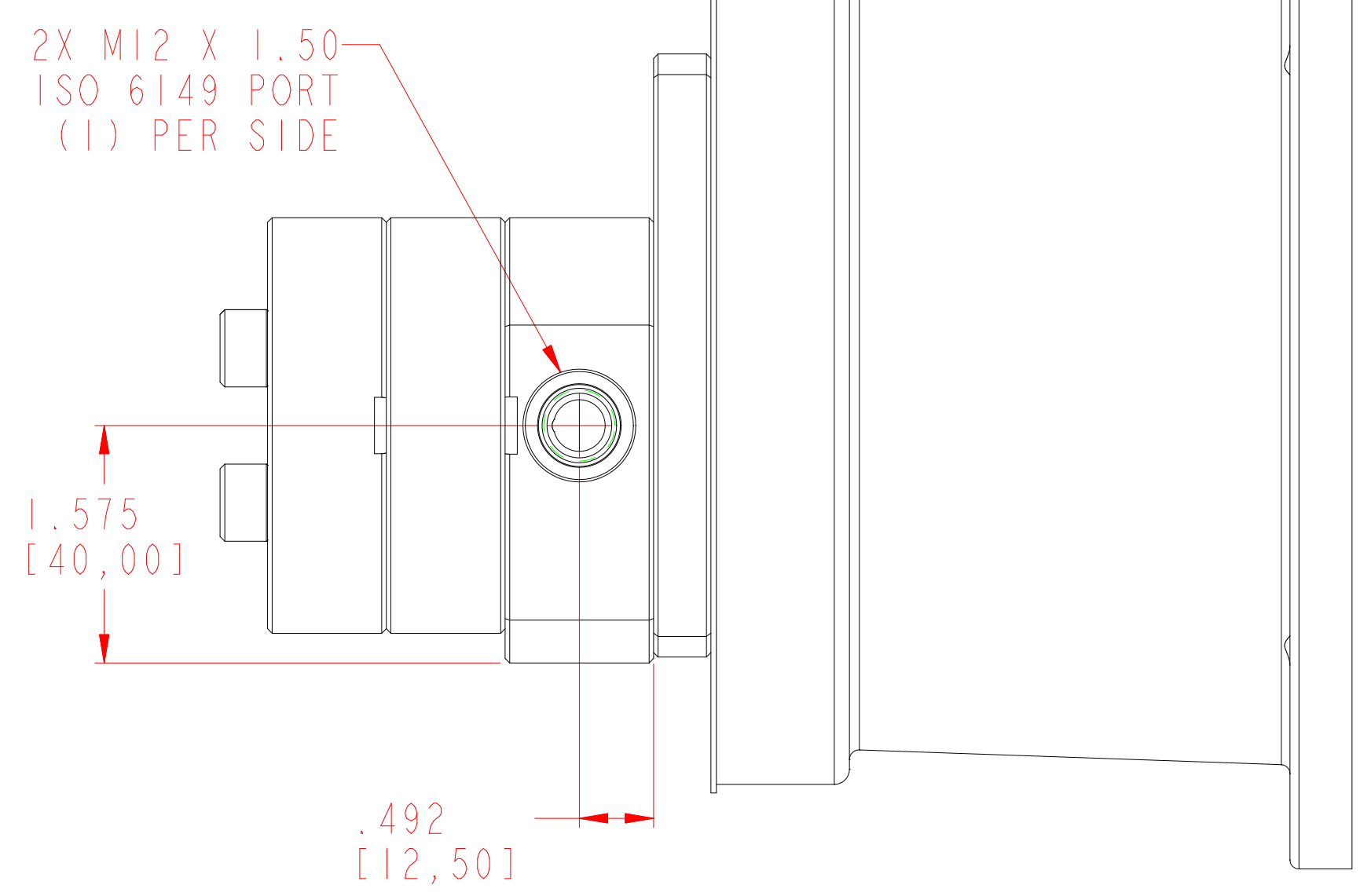
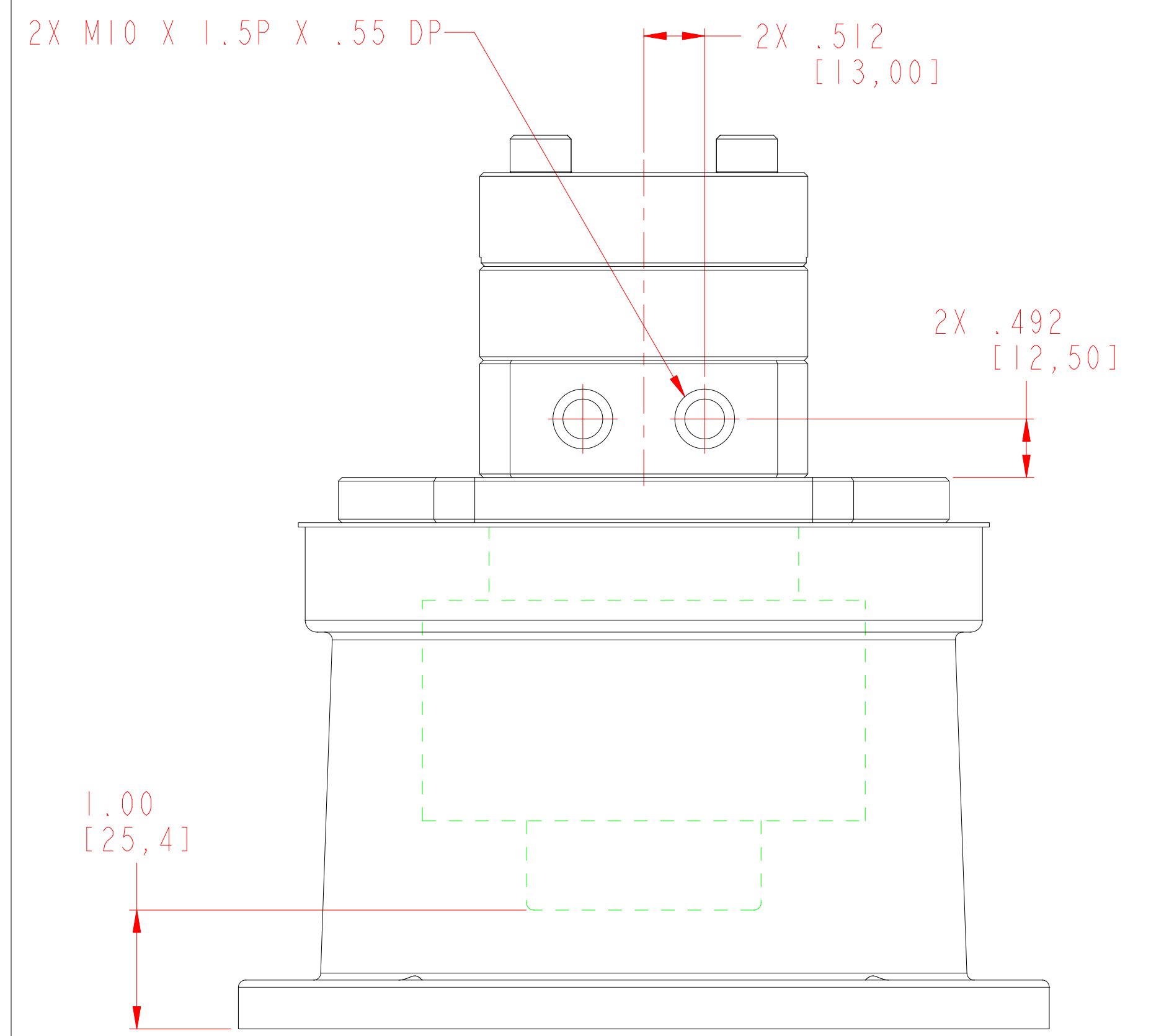
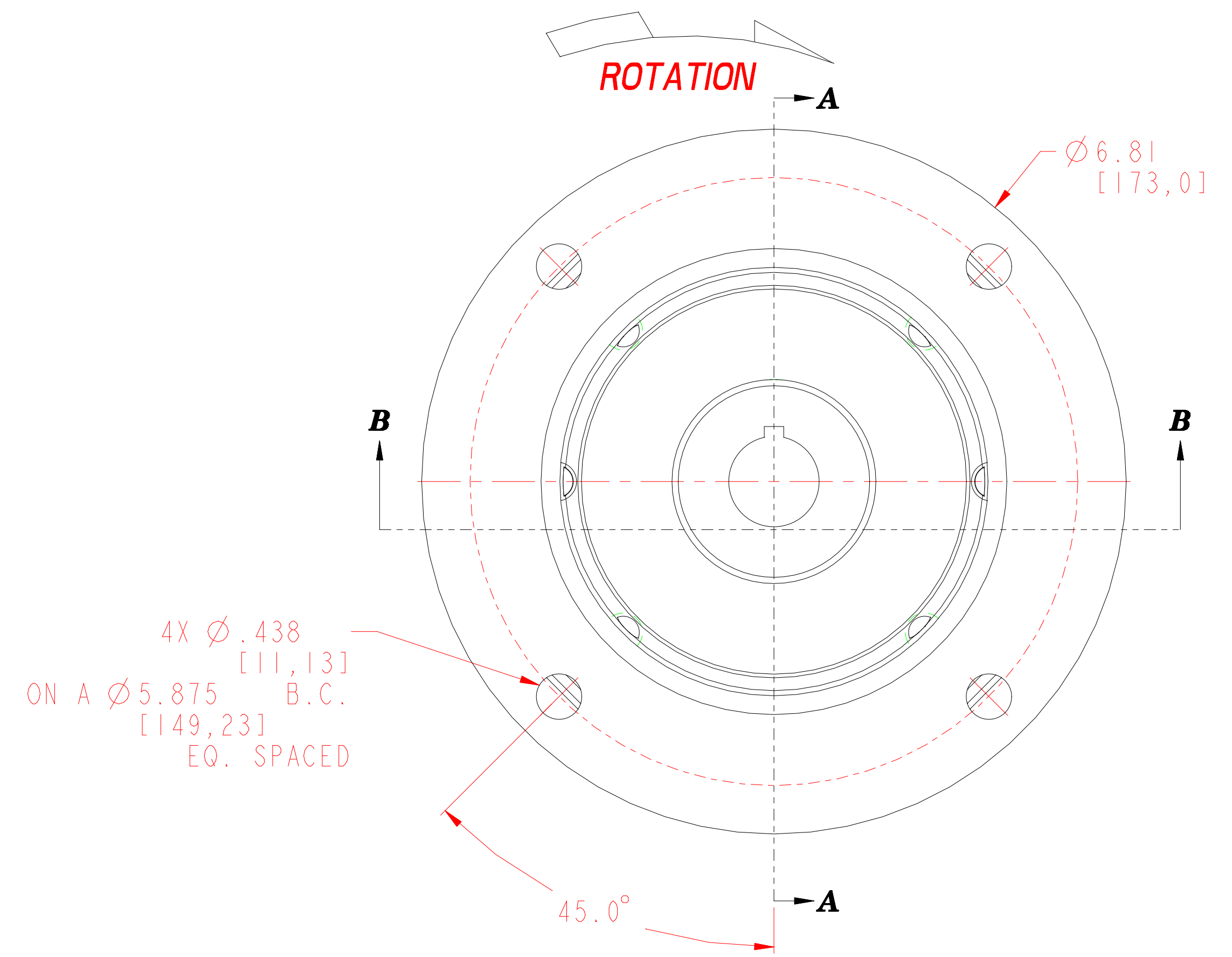


RECOMMENDED TORQUE:
M4 ALLOY BOLTS - LUBRICATED = 31 lb.-in.
#10-24 316 S.S. BOLTS - LUBRICATED = 26 lb.-in.
M8 ALLOY BOLTS - LUBRICATED = 262 lb.-in.

REVISIONS			
LTR	DESCRIPTION	DATE	ECN NO.
A	DOWELS WERE 15-16091-0020-1	5/5/04	196-2004

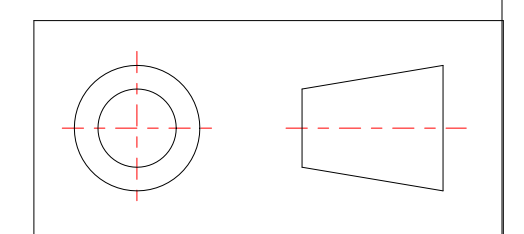


SECTION A-A



SECTION B-B

INTERPRET PER ASME-Y14.5M 1994



THIS DOCUMENT CONTAINS INFORMATION THAT IS CONFIDENTIAL AND PROPRIETARY TO ZENITH PRODUCTS DIVISION, PARKER HANNIFIN CORPORATION ("PARKER"). THIS DOCUMENT IS FURNISHED ON THE UNDERSTANDING THAT THE DOCUMENT AND THE INFORMATION IT CONTAINS WILL NOT BE COPIED OR DISCLOSED TO OTHERS OR USED FOR ANY PURPOSE OTHER THAN CONDUCTING BUSINESS WITH PARKER, AND WILL BE RETURNED AND ALL FURTHER USE DISCONTINUED UPON REQUEST BY PARKER. COPYRIGHT PARKER, YEAR OF COPYRIGHT IS FIRST YEAR INDICATED ON THIS DOCUMENT. ALL RIGHTS RESERVED.

UNLESS OTHERWISE SPECIFIED
 DIMENSIONS ARE IN INCH
 TOLERANCES
 .XX ± 0.01
 .XXX ± 0.005
 ANG ± 0.5

MATERIAL
 SEE B.O.M.

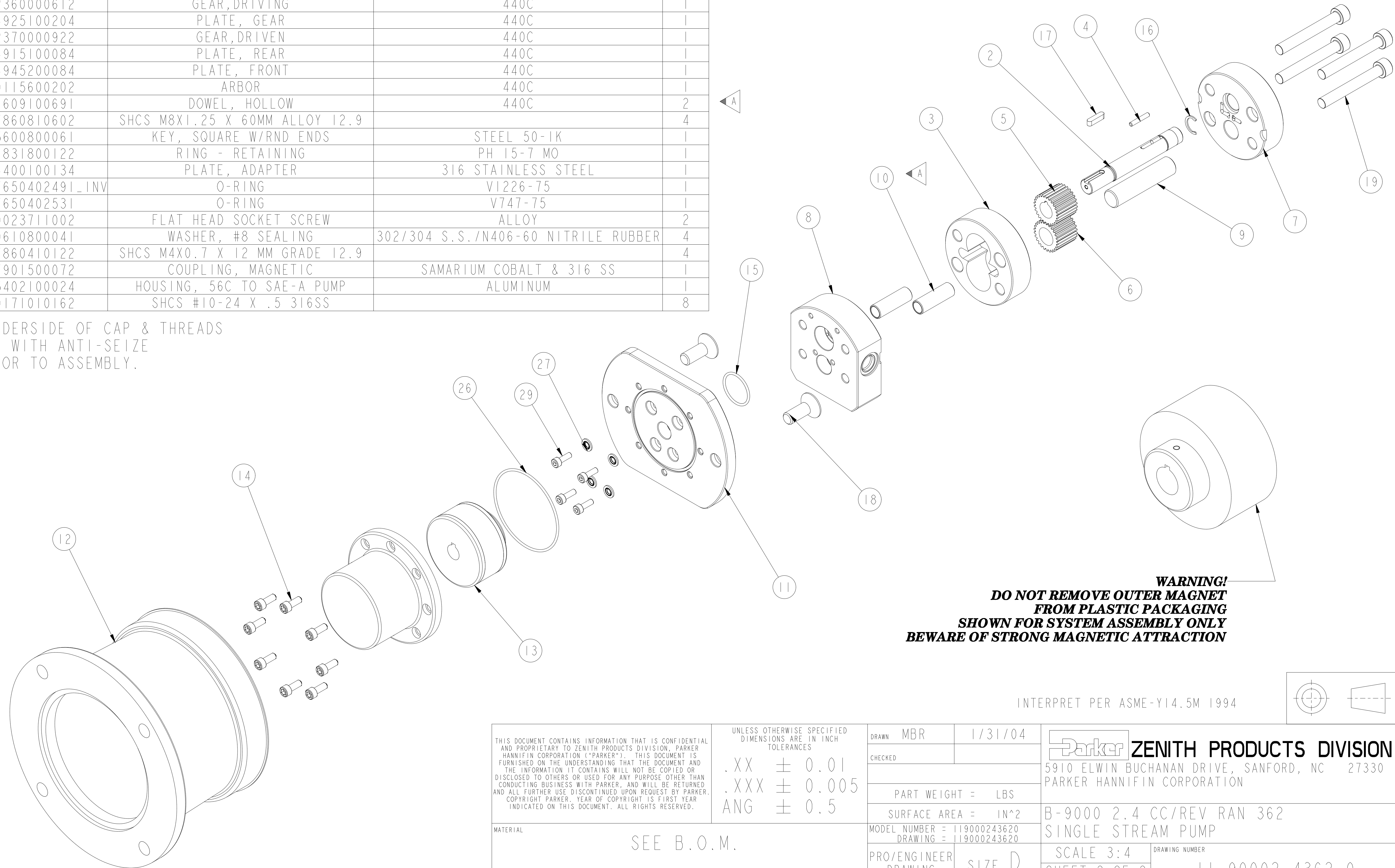
DRAWN MBR 1/31/04
 CHECKED
 PART WEIGHT = LBS
 SURFACE AREA = IN²
 MODEL NUMBER = 119000243620
 DRAWING = 119000243620
 PRO/ENGINEER
 DRAWING SIZE D

Parker ZENITH PRODUCTS DIVISION
 5910 ELWIN BUCHANAN DRIVE, SANFORD, NC 27330
 PARKER HANNIFIN CORPORATION
 B-9000 2.4 CC/REV RAN 362
 SINGLE STREAM PUMP
 SCALE 1:1
 SHEET 1 OF 2
 DRAWING NUMBER
 11-90002-4362-0

ITEM No.	PART NUMBER	PART NAME	MATERIAL	QTY
	119000243620	B-9000 2.4 CC/REV RAN 362		1
2	157956801142	SHAFT, DRIVE	440C	1
4	155600201741	KEY, ROUND	AISI 316	1
5	152360000612	GEAR, DRIVING	440C	1
3	156925100204	PLATE, GEAR	440C	1
6	152370000922	GEAR, DRIVEN	440C	1
7	156915100084	PLATE, REAR	440C	1
8	156945200084	PLATE, FRONT	440C	1
9	150115600202	ARBOR	440C	1
10	151609100691	DOWEL, HOLLOW	440C	2
19	187860810602	SHCS M8X1.25 X 60MM ALLOY 12.9		4
17	185600800061	KEY, SQUARE W/RND ENDS	STEEL 50-1K	1
16	181831800122	RING - RETAINING	PH 15-7 MO	1
11	156400100134	PLATE, ADAPTER	316 STAINLESS STEEL	1
26	187650402491_INV	O-RING	V1226-75	1
15	187650402531	O-RING	V747-75	1
18	189023711002	FLAT HEAD SOCKET SCREW	ALLOY	2
27	189610800041	WASHER, #8 SEALING	302/304 S.S./N406-60 NITRILE RUBBER	4
29	187860410122	SHCS M4X0.7 X 12 MM GRADE 12.9		4
13	187901500072	COUPLING, MAGNETIC	SAMARIUM COBALT & 316 SS	1
12	155402100024	HOUSING, 56C TO SAE-A PUMP	ALUMINUM	1
14	189171010162	SHCS #10-24 X .5 316SS		8

REVISIONS			
LTR	DESCRIPTION	DATE	ECN NO.
A	DOWELS WERE 15-16091-0020-1	5/5/04	196-2004

LUBRICATE UNDERSIDE OF CAP & THREADS ON FASTENERS WITH ANTI-SEIZE COMPOUND PRIOR TO ASSEMBLY.



<small>THIS DOCUMENT CONTAINS INFORMATION THAT IS CONFIDENTIAL AND PROPRIETARY TO ZENITH PRODUCTS DIVISION, PARKER HANNIFIN CORPORATION ("PARKER"). THIS DOCUMENT IS FURNISHED ON THE UNDERSTANDING THAT THE DOCUMENT AND THE INFORMATION IT CONTAINS WILL NOT BE COPIED OR DISCLOSED TO OTHERS OR USED FOR ANY PURPOSE OTHER THAN CONDUCTING BUSINESS WITH PARKER, AND WILL BE RETURNED AND ALL FURTHER USE DISCONTINUED UPON REQUEST BY PARKER. COPYRIGHT PARKER, YEAR OF COPYRIGHT IS FIRST YEAR INDICATED ON THIS DOCUMENT. ALL RIGHTS RESERVED.</small>	<small>UNLESS OTHERWISE SPECIFIED DIMENSIONS ARE IN INCH TOLERANCES</small> .XX ± 0.01 .XXX ± 0.005 ANG ± 0.5	DRAWN MBR 1/31/04 CHECKED PART WEIGHT = LBS SURFACE AREA = IN ²	Parker ZENITH PRODUCTS DIVISION 5910 ELWIN BUCHANAN DRIVE, SANFORD, NC 27330 PARKER HANNIFIN CORPORATION B-9000 2.4 CC/REV RAN 362 SINGLE STREAM PUMP
	MATERIAL SEE B.O.M.	MODEL NUMBER = 119000243620 DRAWING = 119000243620 PRO/ENGINEER DRAWING SIZE D SCALE 3:4 SHEET 2 OF 2	