

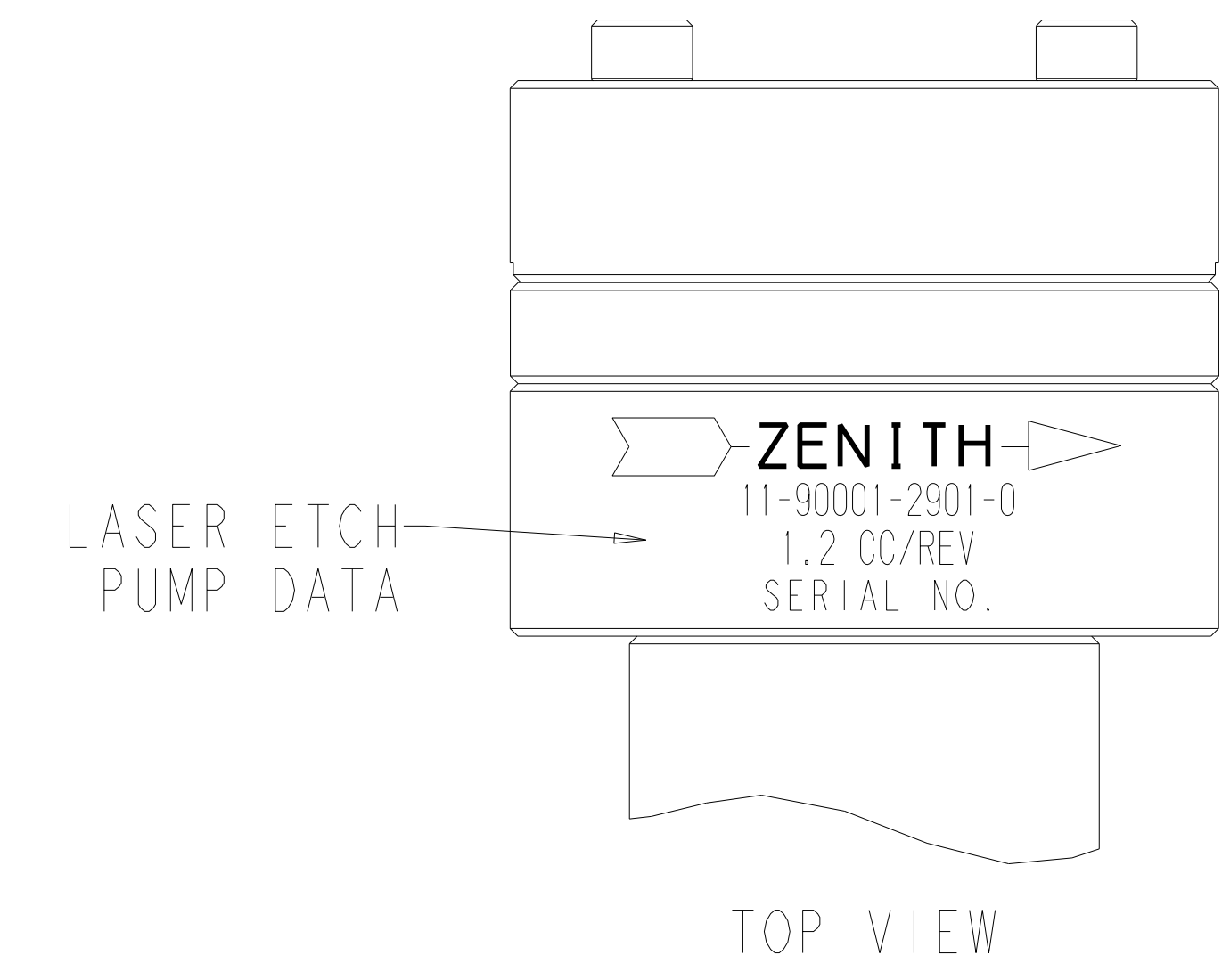
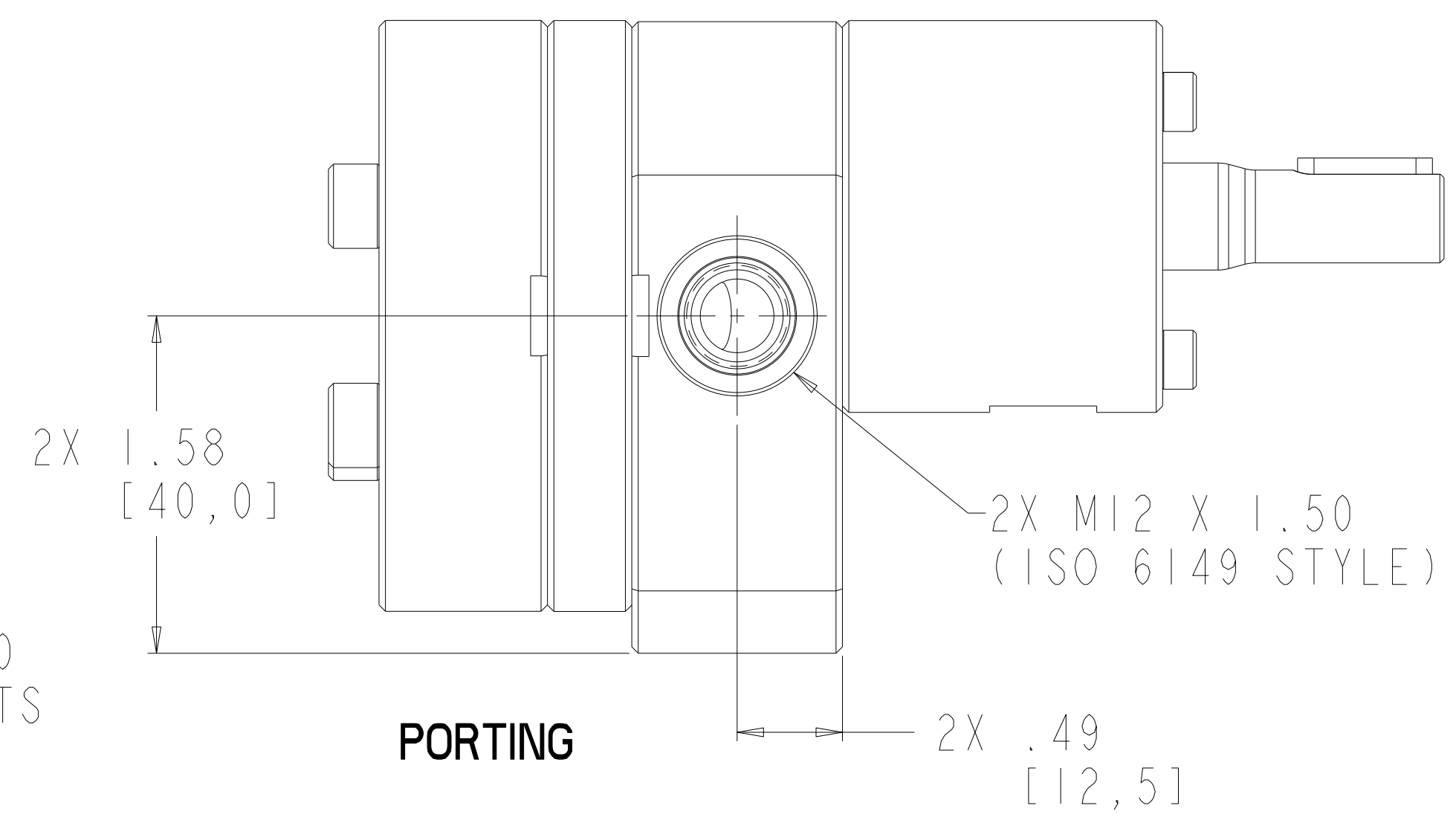
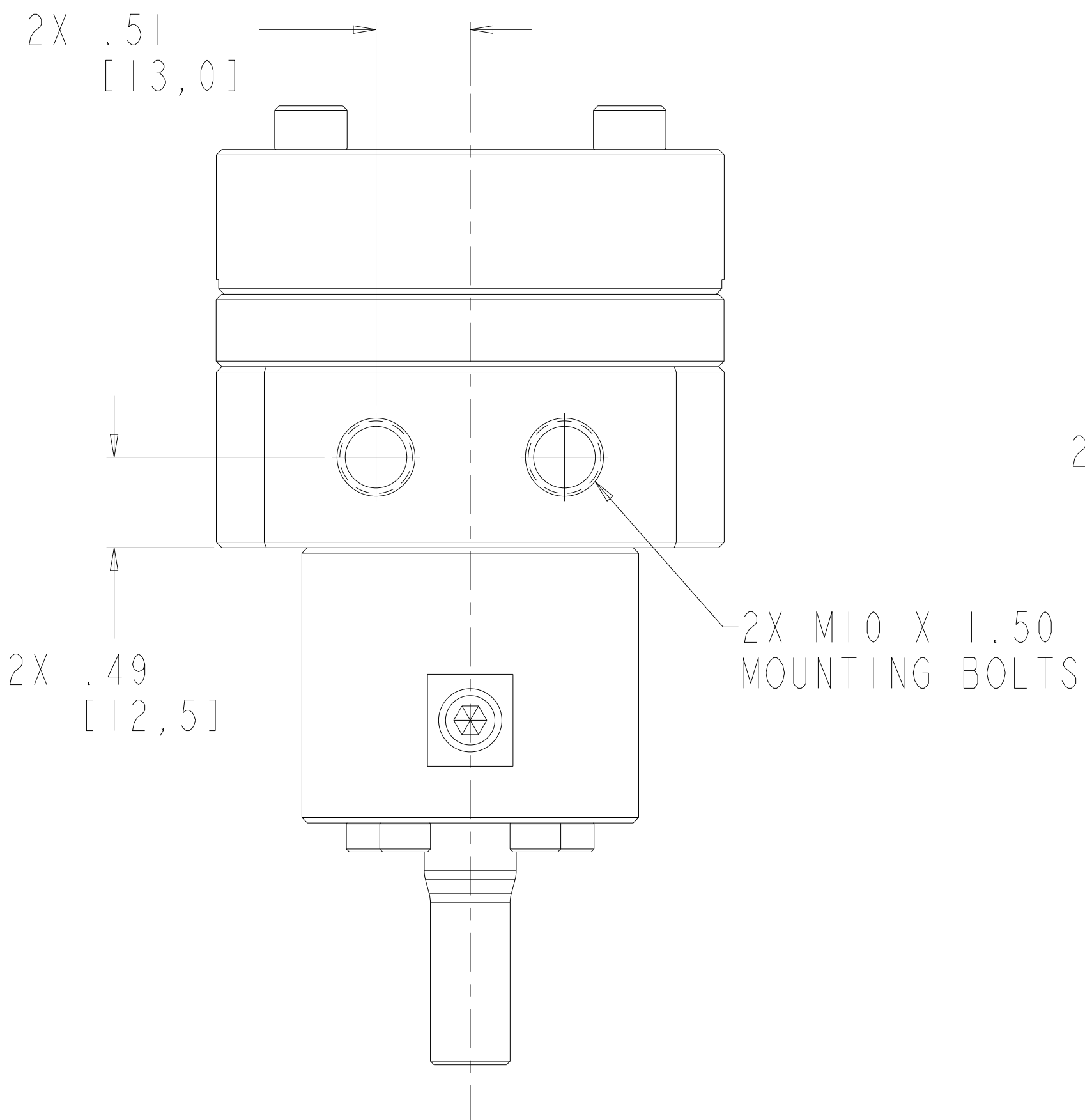
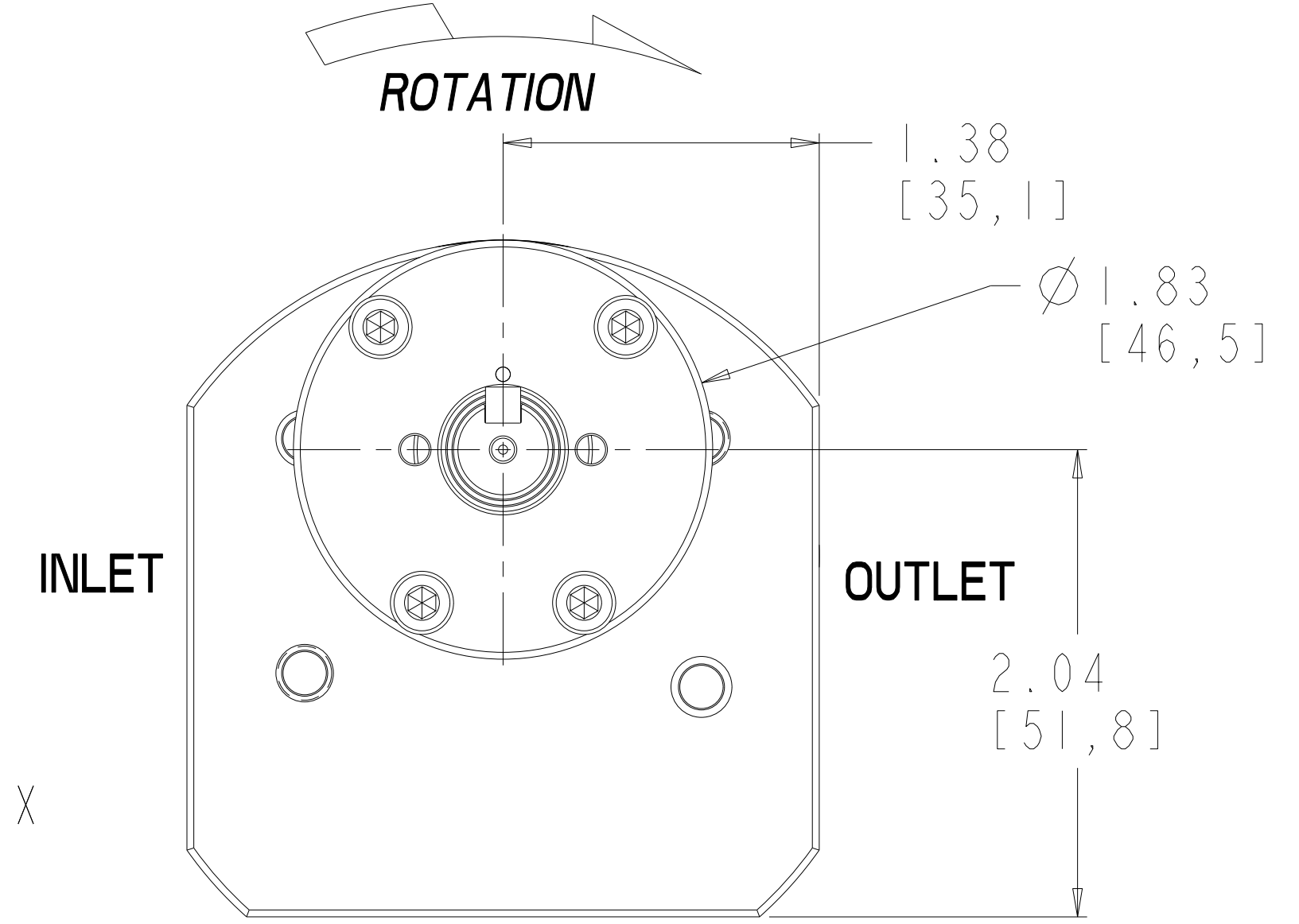
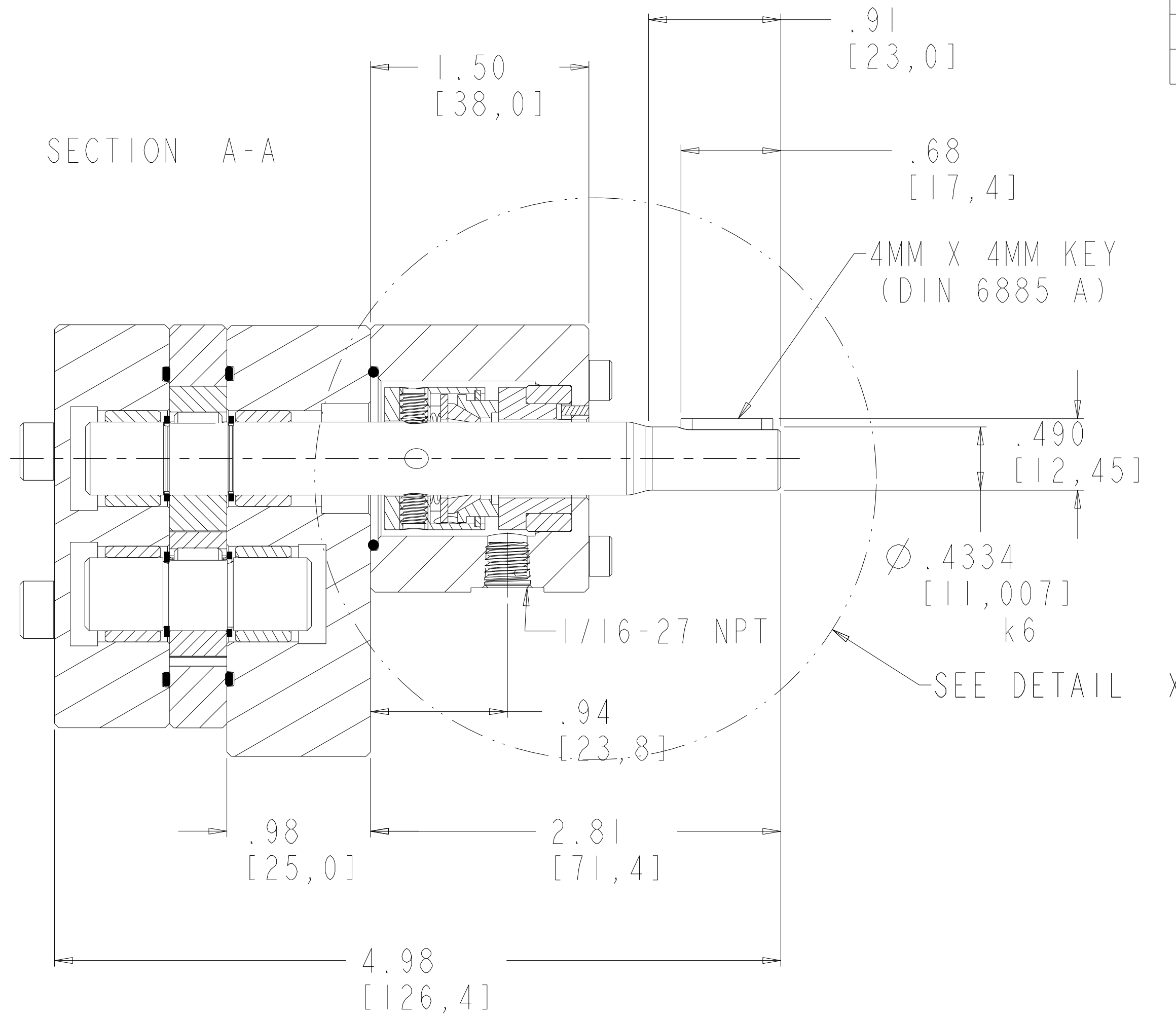
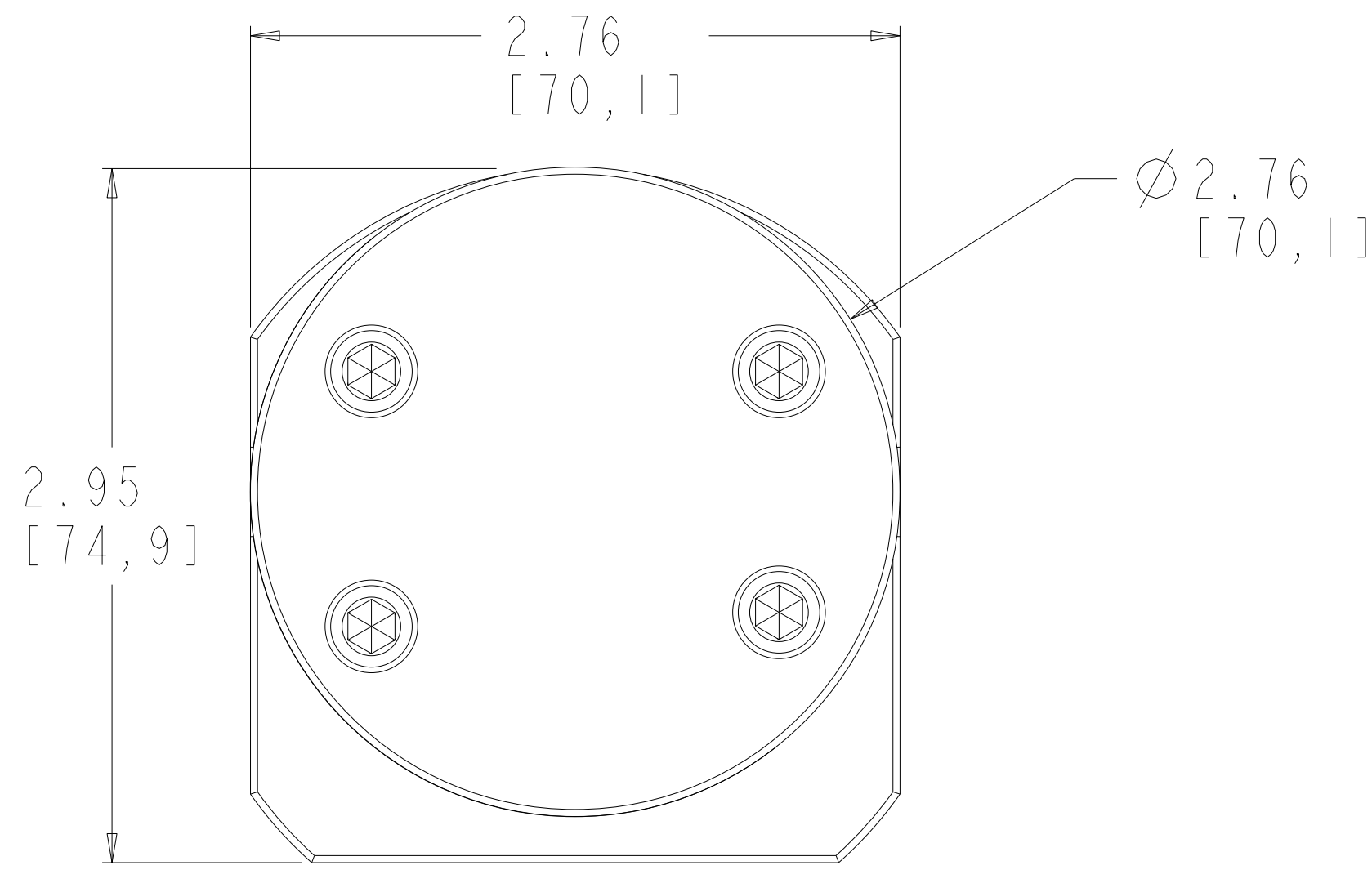
TORQUE CHART

M6 BOLTS LUBRICATED = 70 lb.-in. (7.9 N-m)

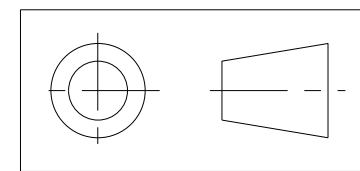
M4 BOLTS LUBRICATED = 20 lb.-in. (2.3N-m)

M10 BOLTS (MOUNTING) LUBRICATED = 335 lb.-in. (37.8 N-m)

REVISIONS			
LTR	DESCRIPTION	DATE	ECN NO.
E	QTY OF RTN RING WAS 3	1/5/05	341-2004
F	PLUG WAS 18-73000-0007-1	07/24/07	127-2007



INTERPRET PER ASME-Y14.5M 1994



THIS DOCUMENT CONTAINS INFORMATION THAT IS CONFIDENTIAL AND PROPRIETARY TO ZENITH PUMPS, COLFAX CORPORATION "COLFAX". THIS DOCUMENT IS FURNISHED ON THE UNDERSTANDING THAT THE DOCUMENT AND THE INFORMATION IT CONTAINS WILL NOT BE COPIED OR DISCLOSED TO OTHERS OR USED FOR ANY PURPOSE OTHER THAN CONDUCTING BUSINESS WITH COLFAX, AND WILL BE RETURNED AND ALL FURTHER USE DISCONTINUED UPON REQUEST BY COLFAX.

UNLESS OTHERWISE SPECIFIED DIMENSIONS ARE IN INCH TOLERANCES
 .XX ± 0.01
 .XXX ± 0.005
 ANG ± 0.5

MATERIAL SEE BILL OF MATERIAL SHEET 2 OF 3

DRAWN LG 5/19/97
 CHECKED
 PART WEIGHT = LBS
 SURFACE AREA = IN²
 MODEL NUMBER = 119000129010
 DRAWING = 119000129010
 PRO/ENGINEER DRAWING SIZE D

ZENITH PUMPS
 5910 ELWIN BUCHANAN DRIVE
 SANFORD, NC 27330

zenith Pumps

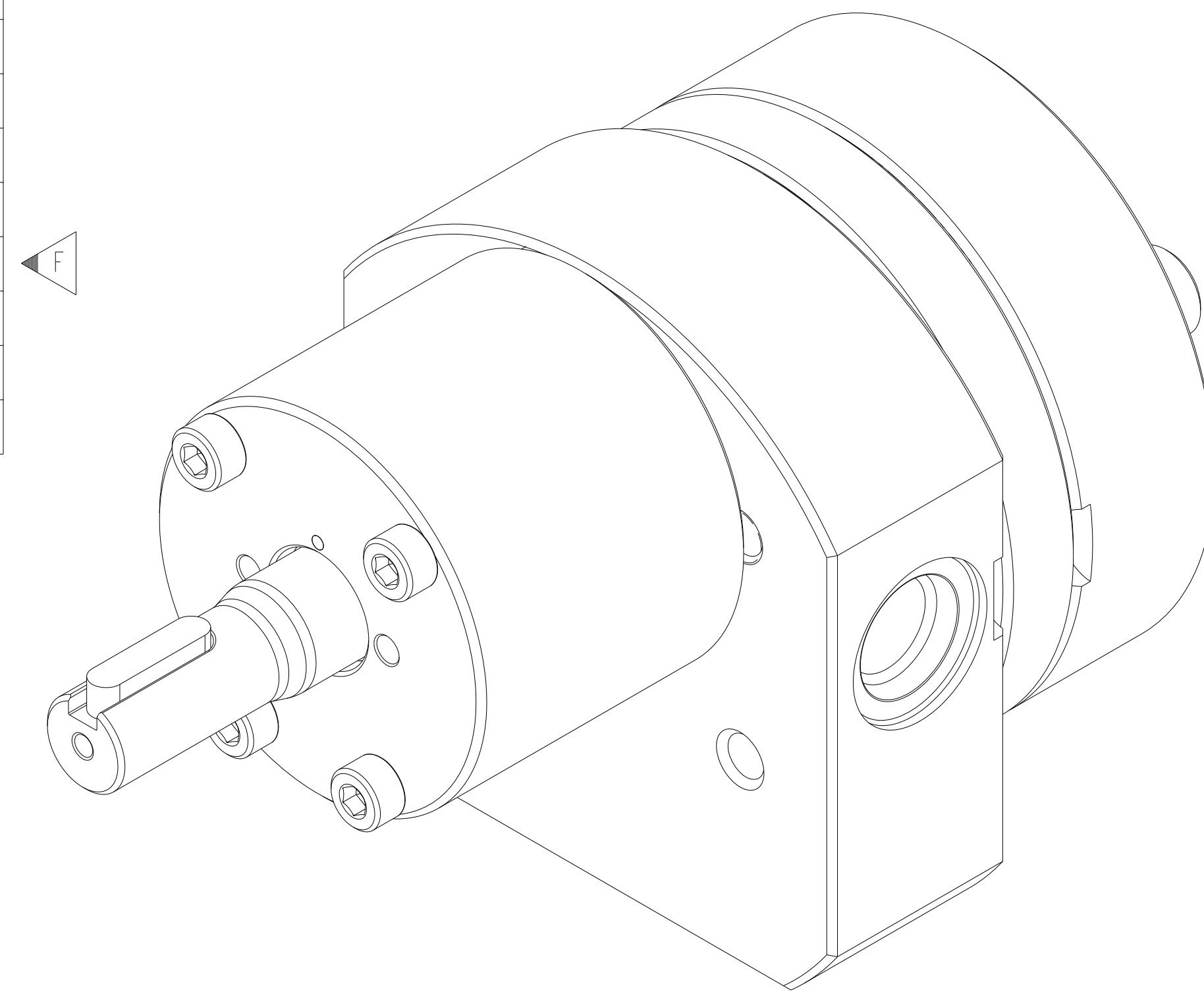
C-9000 TYPE PUMP
 1.2 CC/REV RANDOM 901

SCALE 3:2
 SHEET 1 OF 3

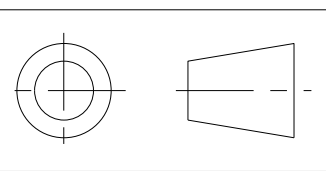
DRAWING NUMBER
 11-90001-2901-0


ITEM No.	PART NUMBER	PART NAME	MATERIAL	QTY
	119000129010	C-9000 TYPE PUMP		1
2	157956800502	SHAFT, DRIVE	ZP2724	1
5	152020901632	GEAR, DRIVING	ZP2724	2
4	155600205741	KEY, ROUND	AISI 316SS	2
3	156925100384	PLATE, GEAR	316SS PER MAT 306	1
7	146915100112	ASSEMBLY, REAR PLATE		1
20	156915100274	PLATE, REAR	ZPI222	1
23	150453100031	BEARING, SLEEVE	ZPI186	2
8	146945200112	ASSEMBLY, FRONT PLATE		1
21	156945200294	PLATE, FRONT	ZPI222	1
24	150453100031	BEARING, SLEEVE	ZPI186	2
10	151609100621	DOWEL, HOLLOW	17-4PH	2
9	150115600312	ARBOR	ZP2724	1
11	155402000293	HOUSING, SEAL	316SS PER MAT 306	1
19	189340610502	SHCS M6X1 X 50MM 316 SS		4
17	185600800061	KEY, SQUARE W/RND ENDS	STEEL 50-1K	1
18	189340410452	SHCS M4X0.7 X 45 MM 316 SS		4
13	187900300561	MECHANICAL SEAL, TYPE 9T	Q-F51-1-010-1	1
16	181831800122	RING - RETAINING	PH 15-7 MO	4
30	150013100642	SEAL ASSEMBLY TOOL	ACETAL COPOLYMER	1
35	187300000161	PLUG, DRYSEAL TYPE	316 S.S.	1
34	187650402101	O-RING	PTFE ENCAPSULATED	2
33	187650402091	O-RING	PTFE ENCAPSULATED	1
14	181830800111	ROLL PIN	STAINLESS STEEL	1

REVISIONS			
LTR	DESCRIPTION	DATE	ECN NO.
E	QTY OF RTN RING WAS 3	1/5/05	341-2004
F	PLUG WAS 18-73000-0007-1	07/24/07	127-2007



INTERPRET PER ASME-Y14.5M 1994



<small>THIS DOCUMENT CONTAINS INFORMATION THAT IS CONFIDENTIAL AND PROPRIETARY TO ZENITH PUMPS, COLFAX CORPORATION "COLFAX". THIS DOCUMENT IS FURNISHED ON THE UNDERSTANDING THAT THE DOCUMENT AND THE INFORMATION IT CONTAINS WILL NOT BE COPIED OR DISCLOSED TO OTHERS OR USED FOR ANY PURPOSE OTHER THAN CONDUCTING BUSINESS WITH COLFAX, AND WILL BE RETURNED AND ALL FURTHER USE DISCONTINUED UPON REQUEST BY COLFAX.</small>	<small>UNLESS OTHERWISE SPECIFIED DIMENSIONS ARE IN INCH TOLERANCES</small> XX ± 0.01 XXX ± 0.005 ANG ± 0.5	DRAWN LG	5/19/97	 ZENITH PUMPS 5910 ELWIN BUCHANAN DRIVE SANFORD, NC 27330
		CHECKED		
MATERIAL SEE BILL OF MATERIAL SHEET 2 OF 3		PART WEIGHT =	LBS	C-9000 TYPE PUMP 1.2 CC/REV RANDOM 901
		SURFACE AREA =	IN^2	
	MODEL NUMBER = 119000129010 DRAWING = 119000129010	PRO/ENGINEER DRAWING	SIZE D	
			SCALE 2:1 SHEET 2 OF 3	

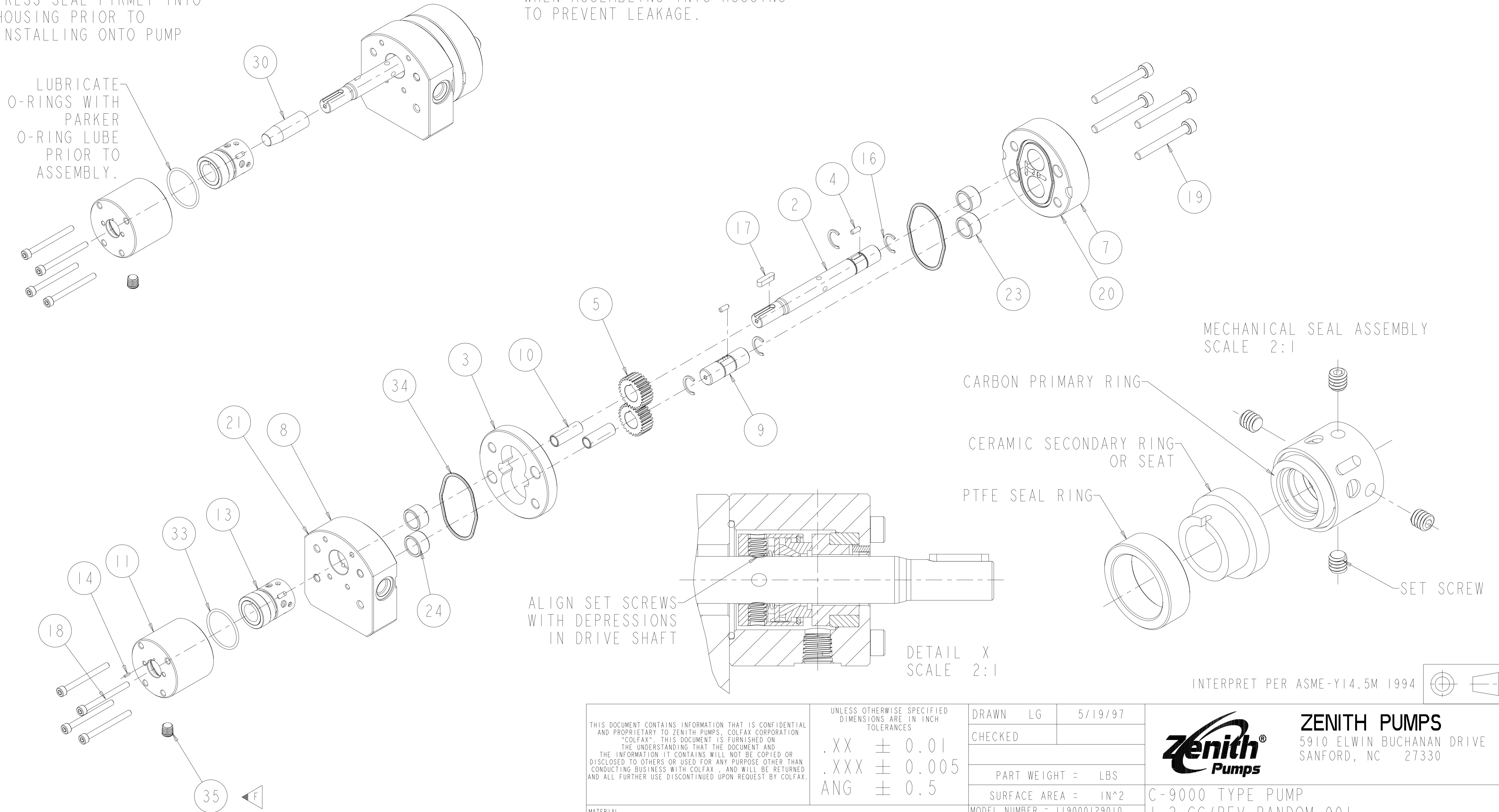
INSTALL SEAL ASSEMBLY TOOL ONTO SHAFT TO COVER KEYWAY DURING SEAL INSTALLATION, TO PREVENT DAMAGE.

PRESS SEAL FIRMLY INTO HOUSING PRIOR TO INSTALLING ONTO PUMP

LUBRICATE UNDERSIDE OF CAP & THREADS ON FASTENERS WITH ANTI-SEIZE COMPOUND PRIOR TO ASSEMBLY.

APPLY TEFLON TAPE TO PLUG THREADS WHEN ASSEMBLING INTO HOUSING TO PREVENT LEAKAGE.

REVISIONS			
LTR	DESCRIPTION	DATE	ECN NO.
E	QTY OF RTN RING WAS 3	1/5/04	341-2004
F	PLUG WAS 18-73000-0007-1	07/24/07	127-2007



INTERPRET PER ASME-Y14.5M 1994

<small>THIS DOCUMENT CONTAINS INFORMATION THAT IS CONFIDENTIAL AND PROPRIETARY TO ZENITH PUMPS, COLFAX CORPORATION "COLFAX". THIS DOCUMENT IS FURNISHED ON THE UNDERSTANDING THAT THE DOCUMENT AND THE INFORMATION IT CONTAINS WILL NOT BE COPIED OR DISCLOSED TO OTHERS OR USED FOR ANY PURPOSE OTHER THAN CONDUCTING BUSINESS WITH COLFAX, AND WILL BE RETURNED AND ALL FURTHER USE DISCONTINUED UPON REQUEST BY COLFAX.</small>	<small>UNLESS OTHERWISE SPECIFIED DIMENSIONS ARE IN INCH TOLERANCES</small> .XX ± 0.01 .XXX ± 0.005 ANG ± 0.5	DRAWN LG 5/19/97 CHECKED	ZENITH PUMPS 5910 ELWIN BUCHANAN DRIVE SANFORD, NC 27330
	MATERIAL SEE BILL OF MATERIAL SHEET 2 OF 3	PART WEIGHT = LBS SURFACE AREA = IN ² MODEL NUMBER = 119000129010 DRAWING = 119000129010	
		PRO/ENGINEER DRAWING SIZE D	DRAWING NUMBER 11-90001-2901-0