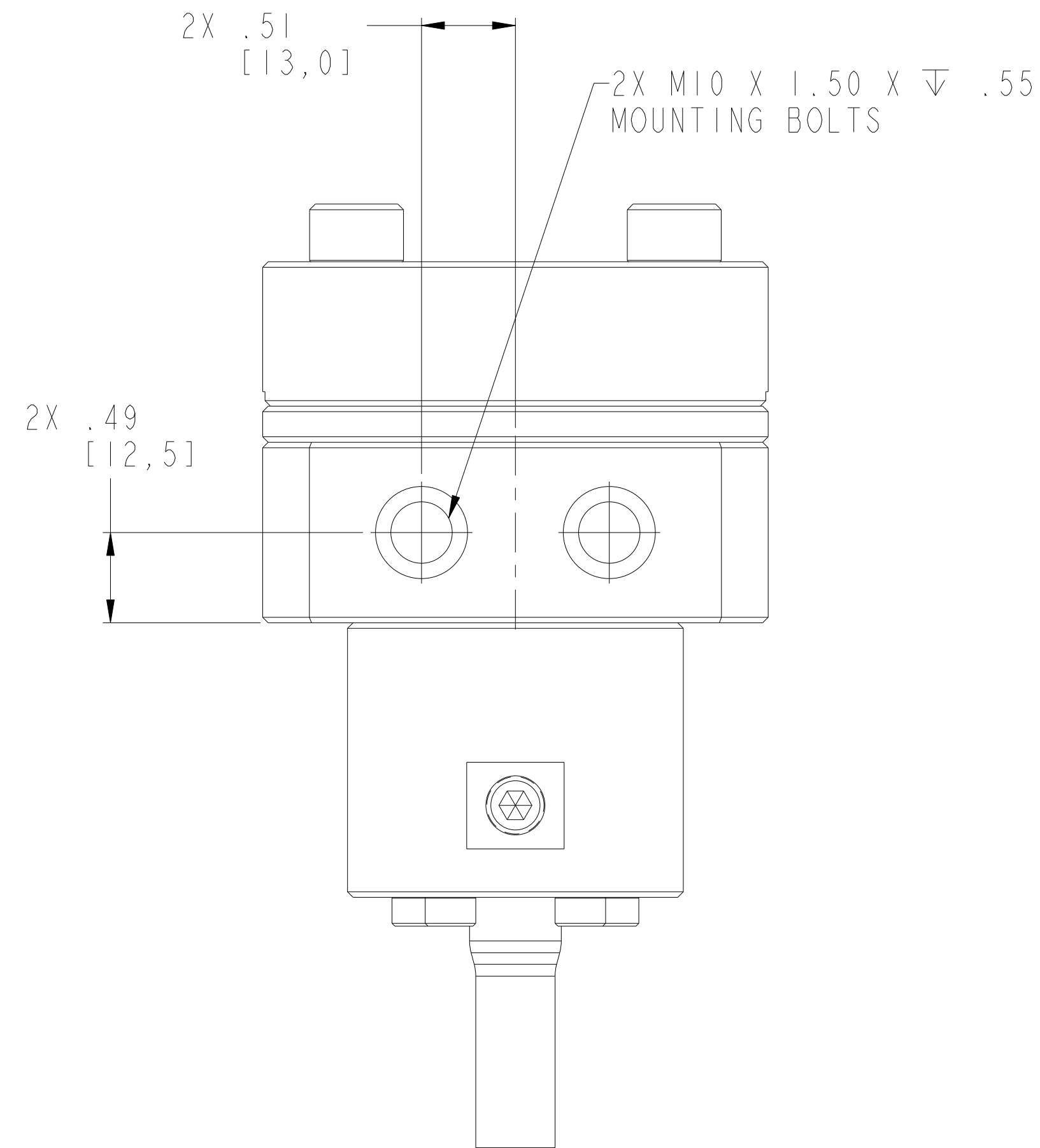
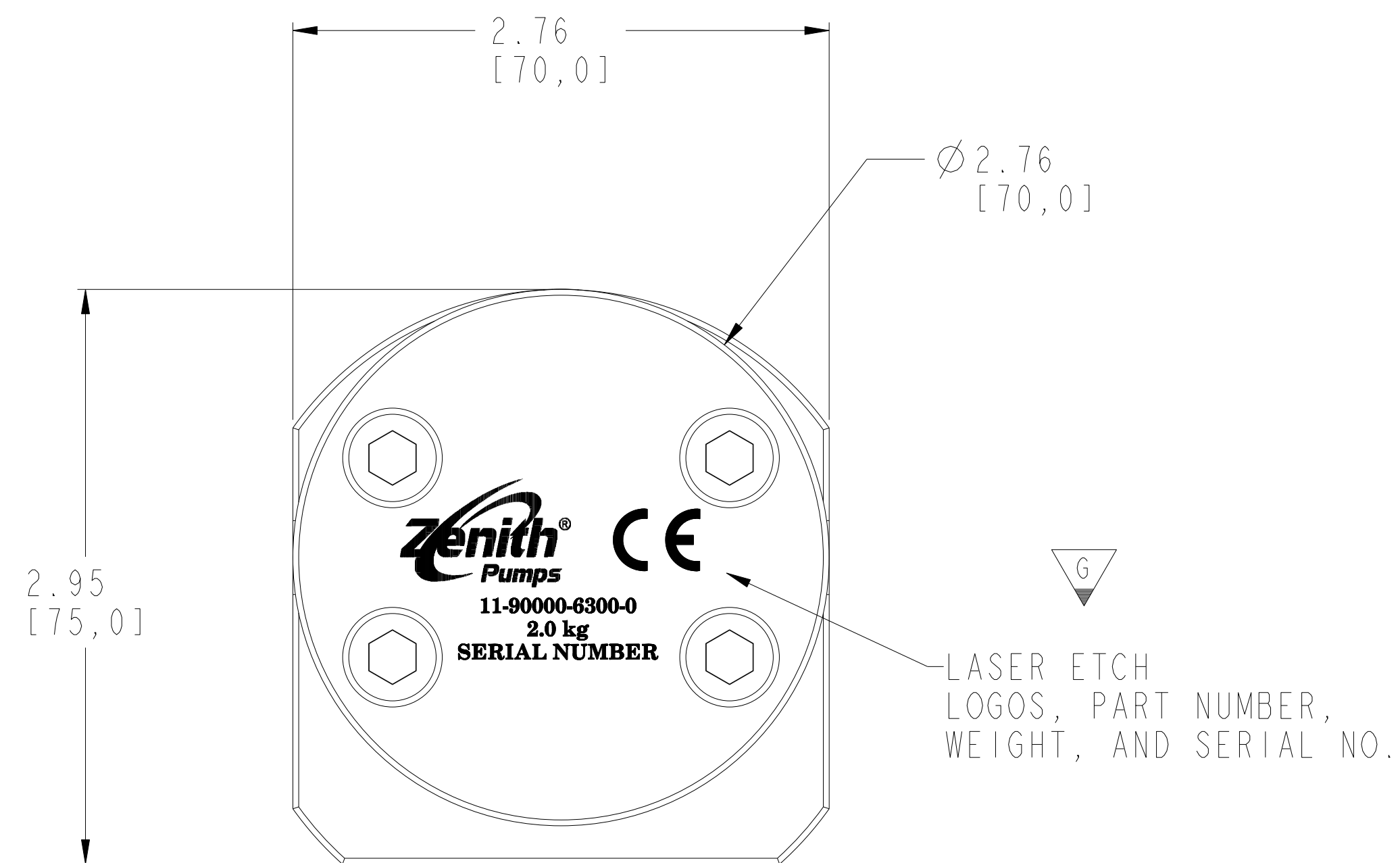
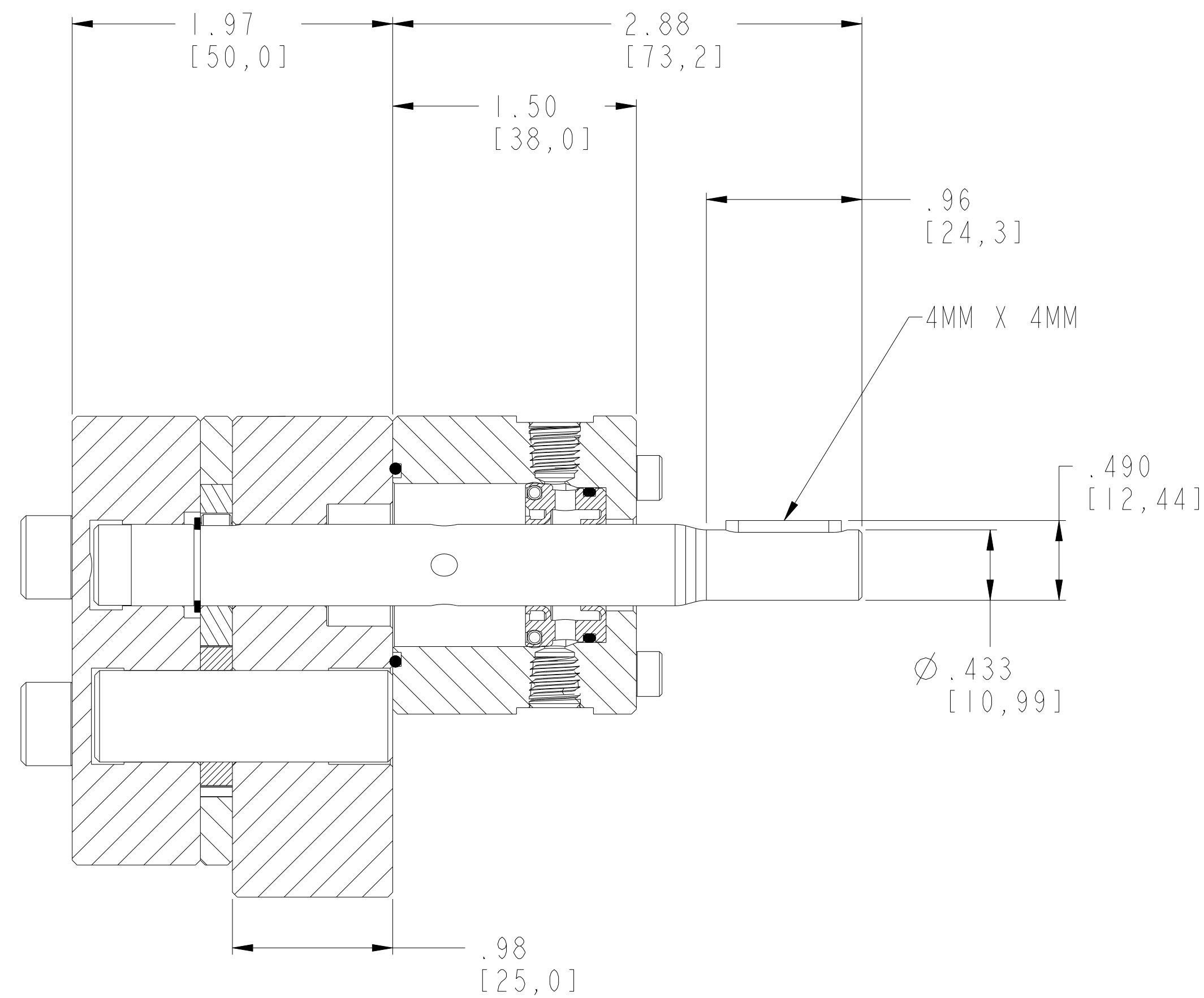


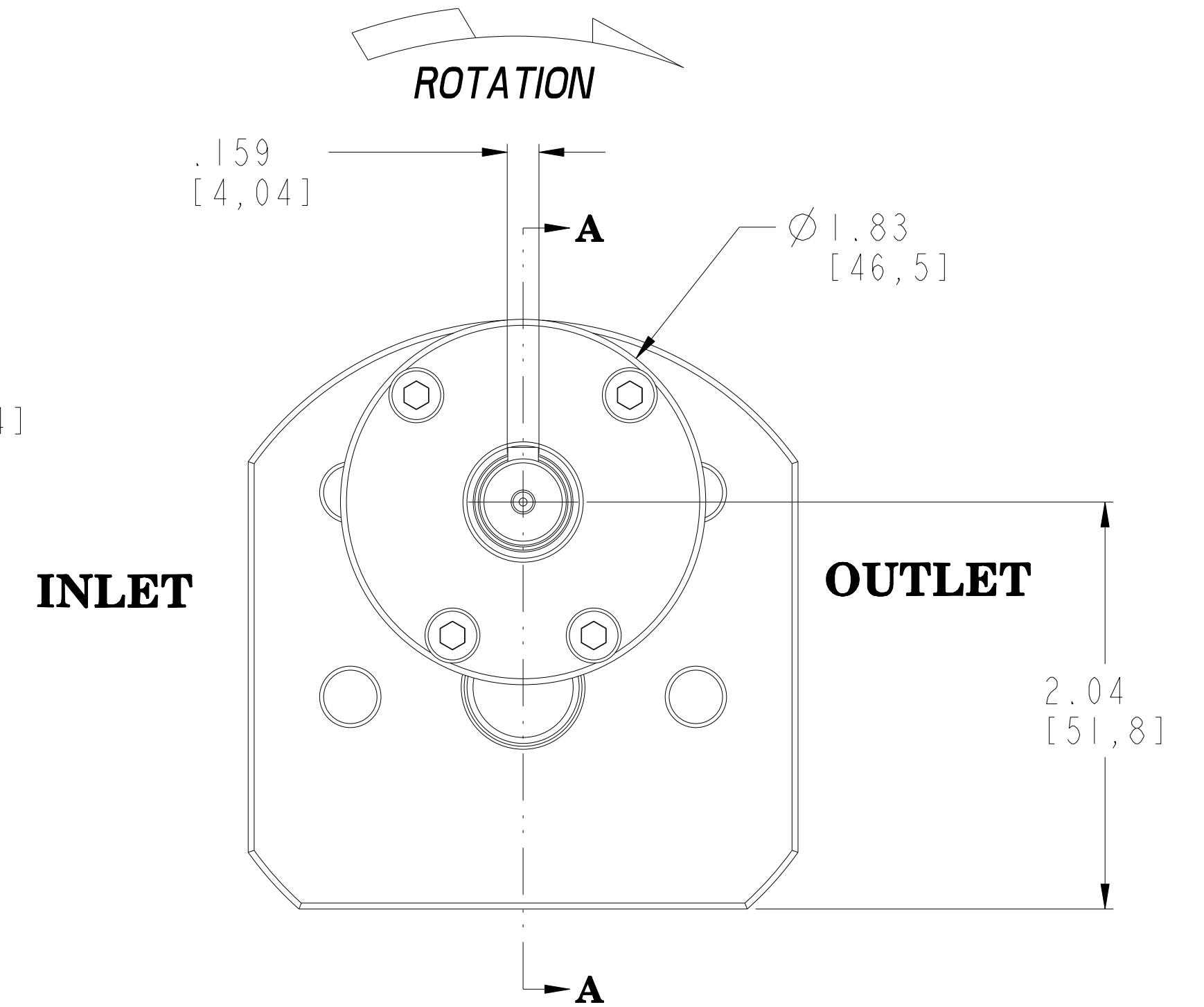
**BOLT TORQUE**  
**M10 ALLOY BOLTS - LUBRICATED = 43 lb.- ft.**  
**M8 ALLOY BOLTS - LUBRICATED = 22 lb.- ft.**  
**M4 ALLOY BOLTS - LUBRICATED = 2.6 lb.- ft.**



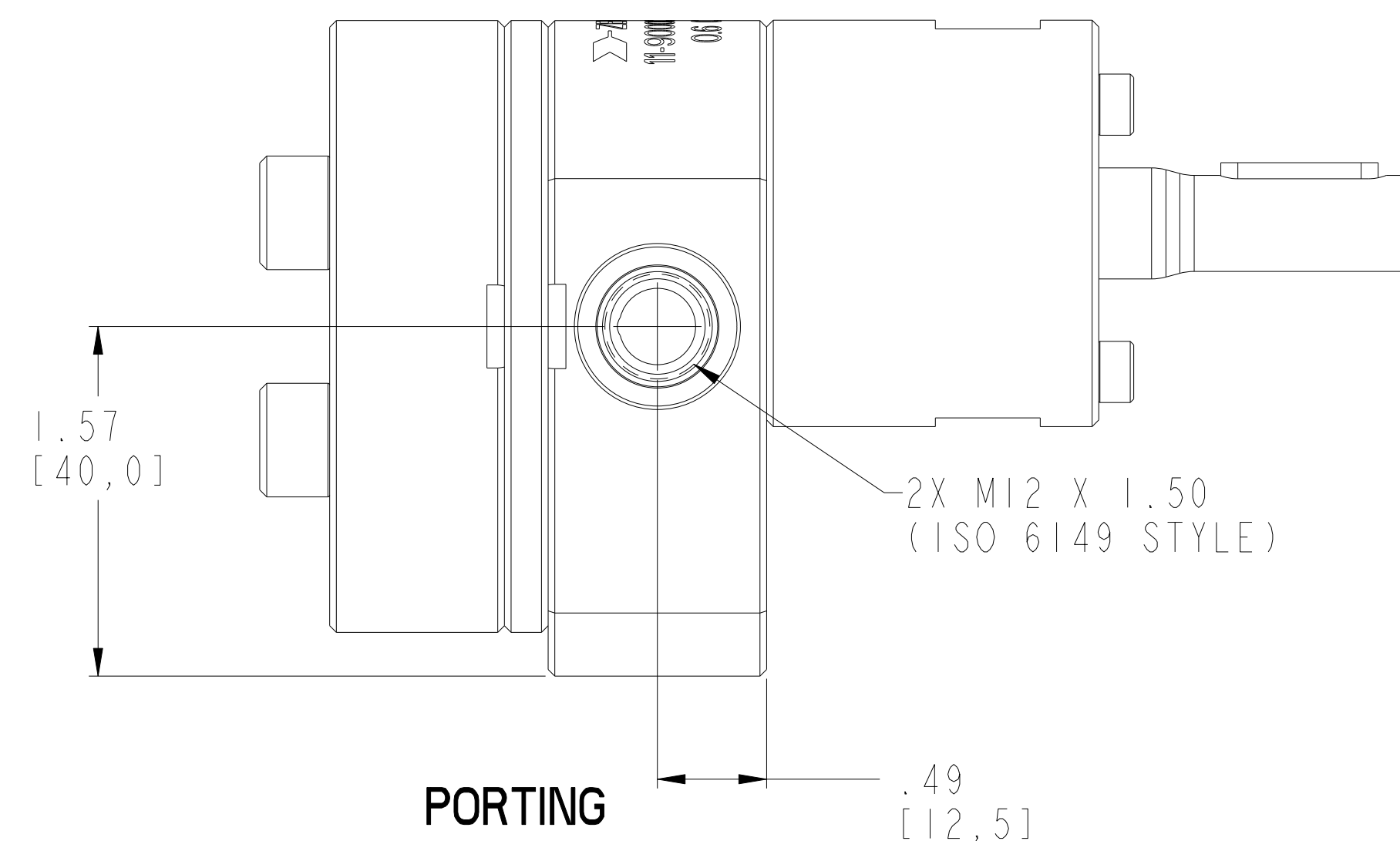
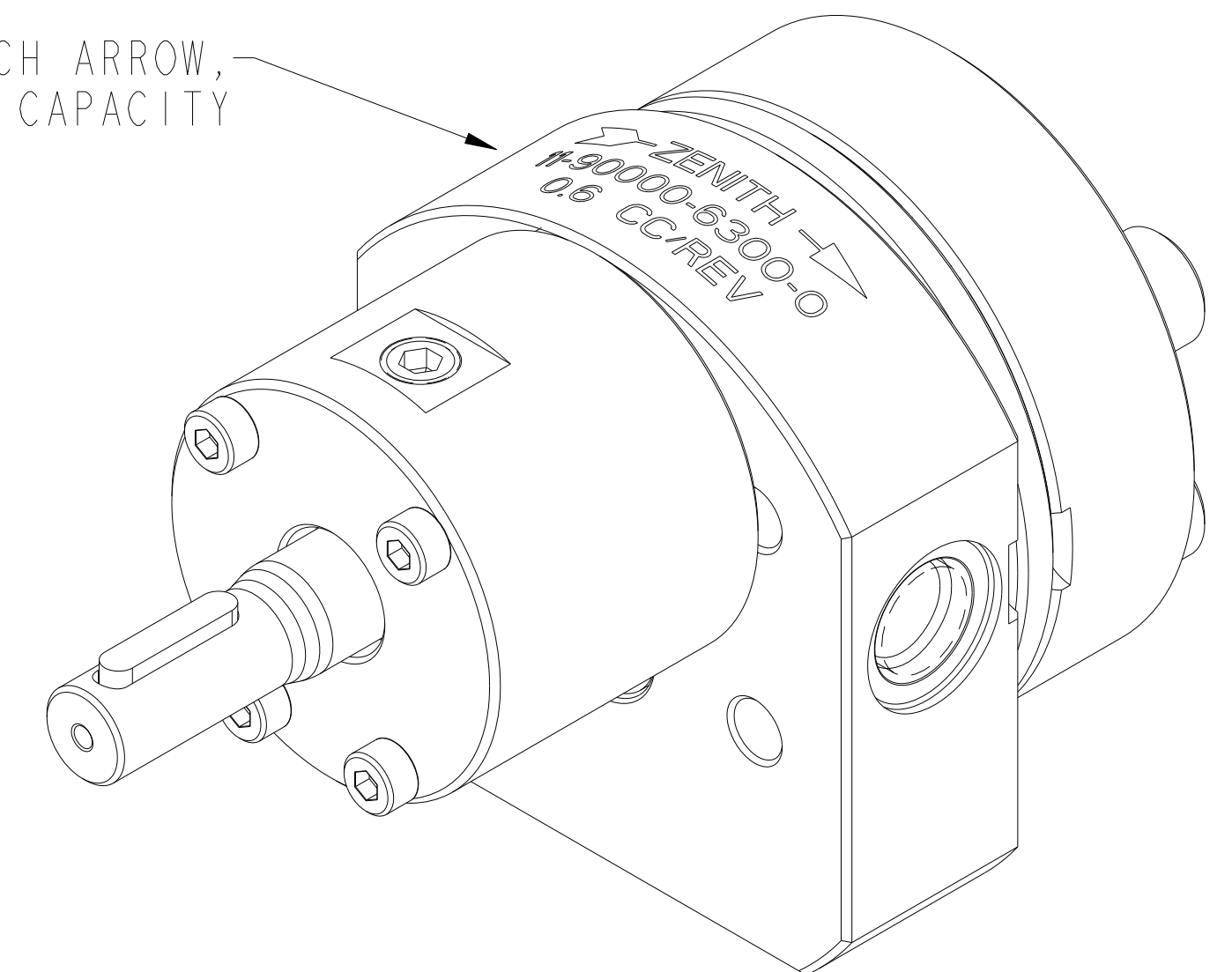
**SECTION A-A**



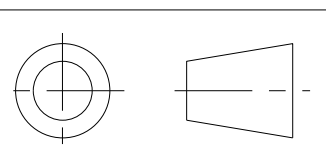
REVISIONS			
LTR	DESCRIPTION	DATE	ECN NO.
G	UPDATED SHAFT, PARTS LIST & ETCHING	11/8/10	107-2010



LASER ETCH ARROW, PART NUMBER, AND CAPACITY



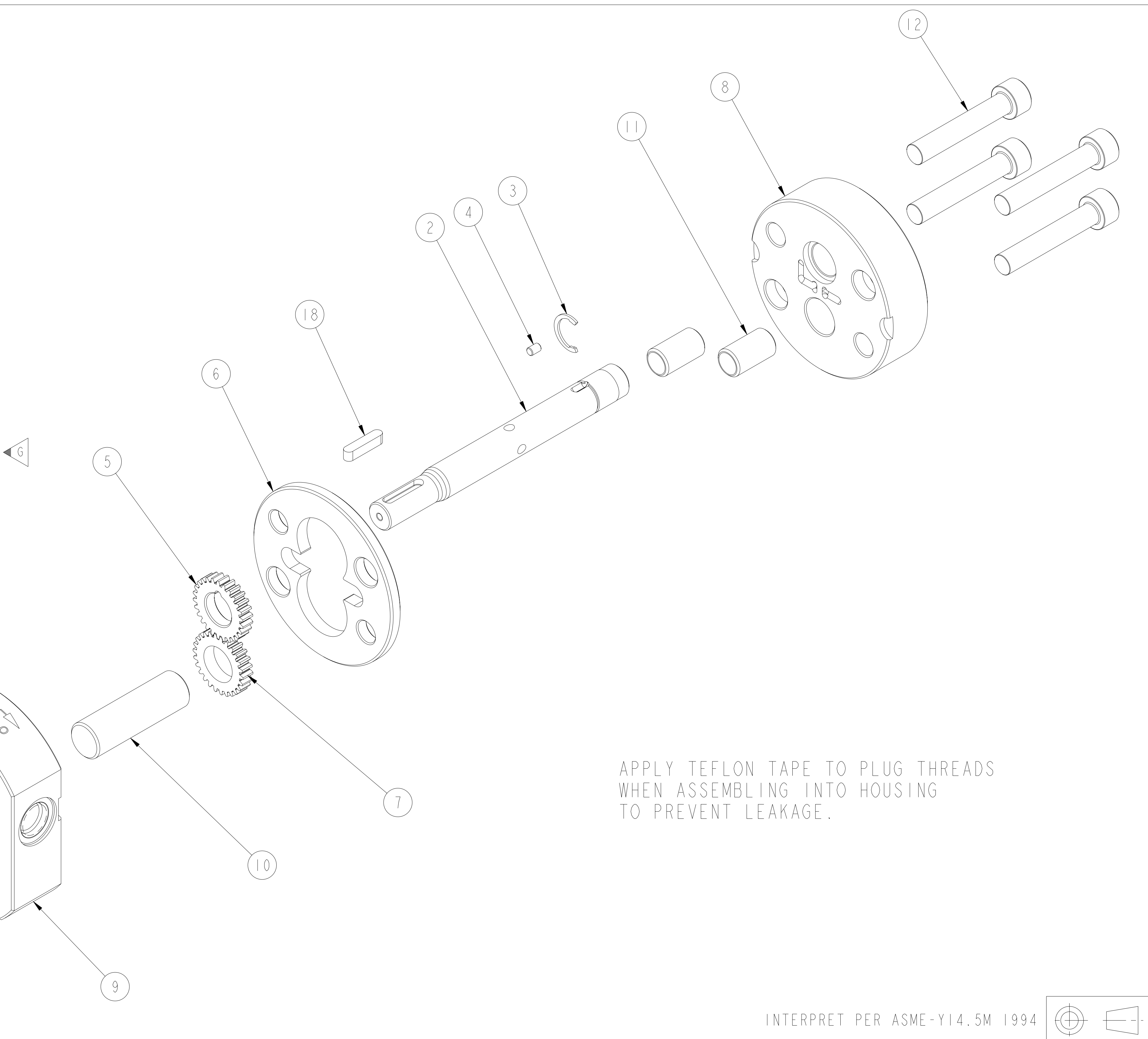
INTERPRET PER ASME-Y14.5M 1994



THIS DOCUMENT CONTAINS INFORMATION THAT IS CONFIDENTIAL AND PROPRIETARY TO ZENITH PUMPS, COLFAX CORPORATION "COLFAX". THIS DOCUMENT IS FURNISHED ON THE UNDERSTANDING THAT THE DOCUMENT AND THE INFORMATION IT CONTAINS WILL NOT BE COPIED OR DISCLOSED TO OTHERS OR USED FOR ANY PURPOSE OTHER THAN CONDUCTING BUSINESS WITH COLFAX, AND WILL BE RETURNED AND ALL FURTHER USE DISCONTINUED UPON REQUEST BY COLFAX.	UNLESS OTHERWISE SPECIFIED DIMENSIONS ARE IN INCH TOLERANCES		DRAWN mbr	01/15/08	<b>ZENITH PUMPS</b> 1710 AIRPORT ROAD MONROE, NC 28110	
	.XX ± 0.01	.XXX ± 0.005	ANG ± 0.5	CHECKED		
MATERIAL			PART WEIGHT =	LBS	MODEL NUMBER = 119000063000	
			DRAWING =	119000063000	B-9000-0.6-300 0.6 CC/REV	
			PRO/ENGINEER DRAWING	SIZE D	SCALE 3:2	DRAWING NUMBER
					SHEET 1 OF 3	11-90000-6300-0
						REV G

11-90000-6300-0 BILL OF MATERIAL

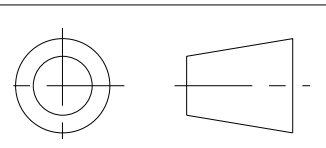
ITEM NO.	PART NUMBER	PART NAME	QTY
1	13-90000-6000-1	B-9000-0.6 BASE PUMP	1
2	15-79568-0018-2	SHAFT, DRIVE	1
3	18-18318-0012-2	RING - RETAINING	1
4	15-56002-0025-1	KEY	1
5	15-20207-0111-2	GEAR, DRIVING	1
6	15-69251-0018-4	PLATE, GEAR	1
7	15-20107-0162-2	GEAR, DRIVEN	1
8	15-69151-0008-4	PLATE, REAR	1
9	15-69452-0008-4	PLATE, FRONT	1
10	15-01156-0018-2	ARBOR	1
11	15-16091-0019-1	DOWEL, HOLLOW	2
12	18-78608-1045-2	SHCS M8X1.25 X 45MM ALLOY 12.9	4
13	15-54019-0038-3	HOUSING, SEAL	1
14	12-SEALPARTS-008	B9000 0.3-2.4 CC VITON-LIP SEAL KIT	1
15	14-79004-0001-2	SUB-ASSEMBLY, ASSY INSTRUCTION	1
16	15-00131-0064-2	SEAL ASSEMBLY TOOL	1
17	18-78604-1045-2	SHCS M4X0.7 X 45 MM GRADE 12.9	4
18	18-56008-0006-1	KEY, SQUARE W/RND ENDS	1
19	18-73000-0007-1	PLUG, DRYSEAL TYPE	2
20	18-76504-0333-1	O-RING	1



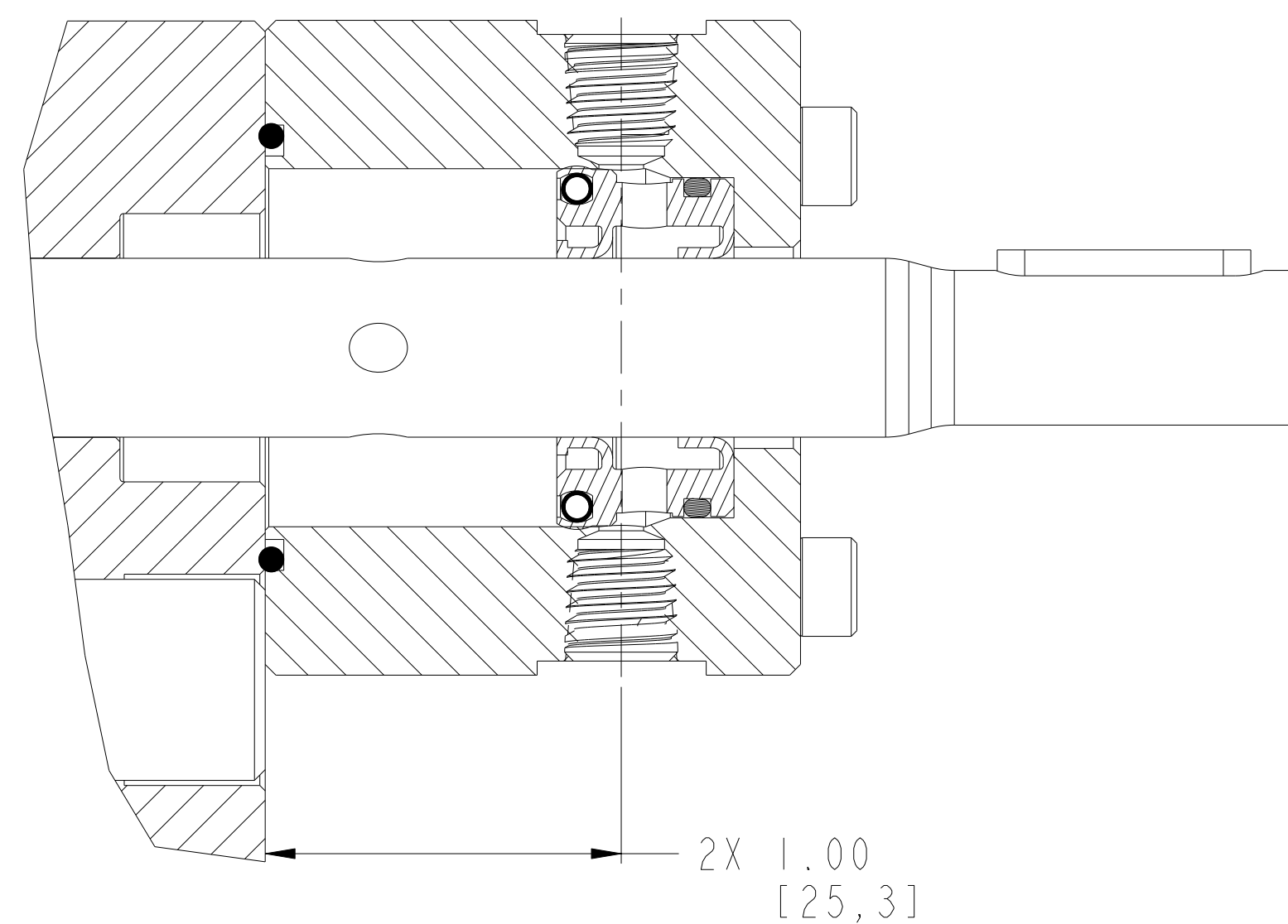
LUBRICATE UNDERSIDE OF CAP & THREADS ON FASTENERS WITH ANTI-SEIZE COMPOUND PRIOR TO ASSEMBLY.

APPLY TEFLON TAPE TO PLUG THREADS WHEN ASSEMBLING INTO HOUSING TO PREVENT LEAKAGE.

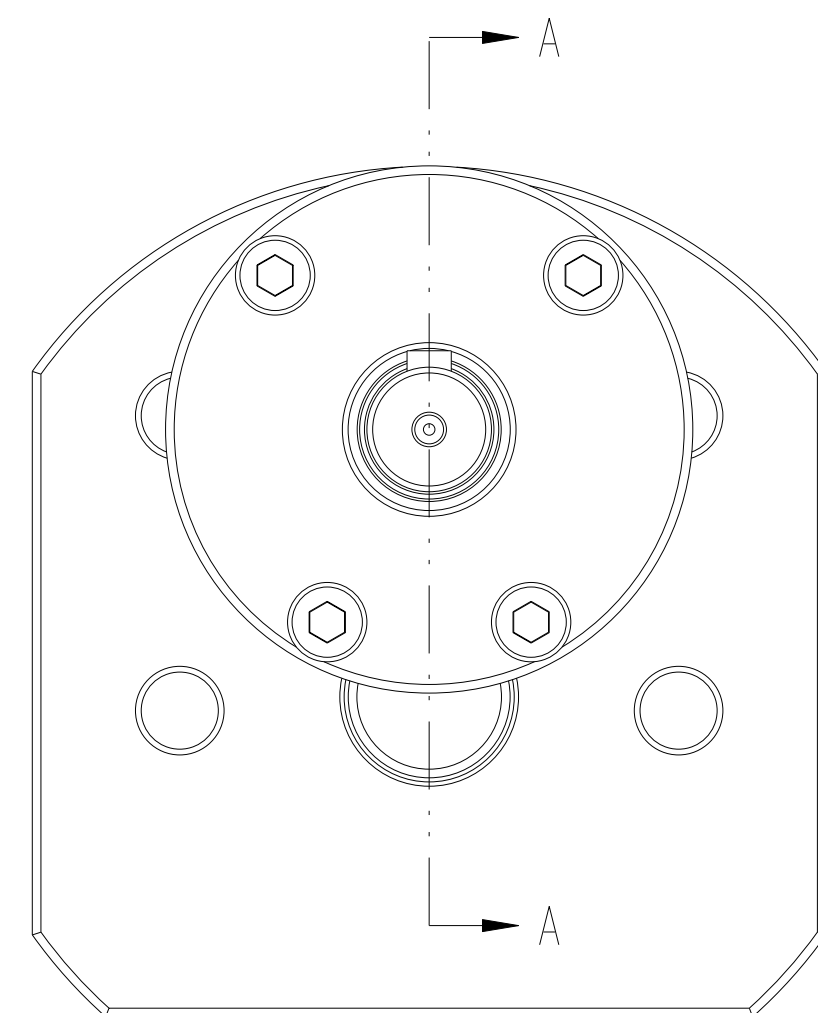
INTERPRET PER ASME-Y14.5M 1994



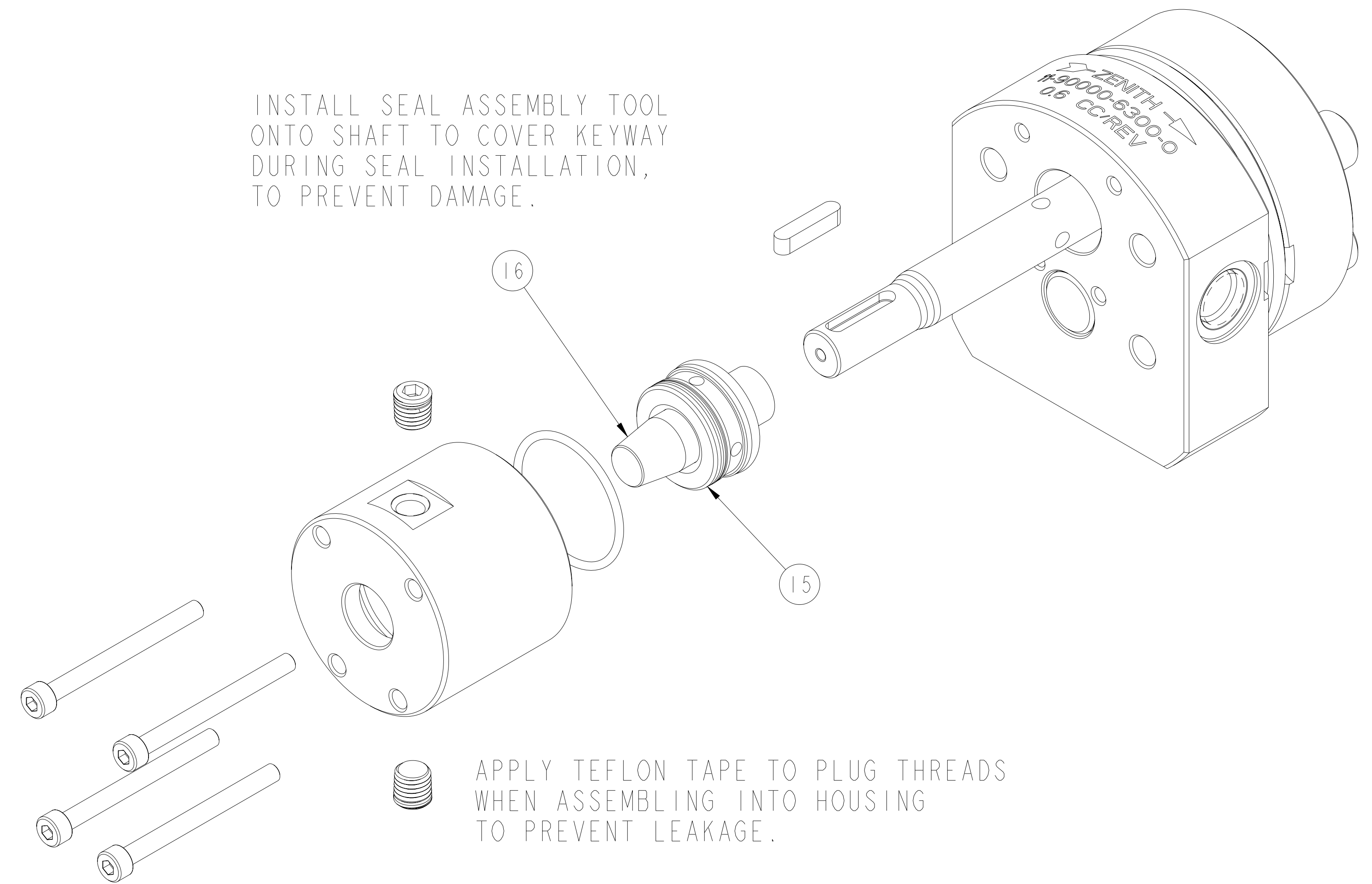
<p>THIS DOCUMENT CONTAINS INFORMATION THAT IS CONFIDENTIAL AND PROPRIETARY TO ZENITH PUMPS, COLFAX CORPORATION "COLFAX". THIS DOCUMENT IS FURNISHED ON THE UNDERSTANDING THAT THE DOCUMENT AND THE INFORMATION IT CONTAINS WILL NOT BE COPIED OR DISCLOSED TO OTHERS OR USED FOR ANY PURPOSE OTHER THAN CONDUCTING BUSINESS WITH COLFAX, AND WILL BE RETURNED AND ALL FURTHER USE DISCONTINUED UPON REQUEST BY COLFAX.</p>	UNLESS OTHERWISE SPECIFIED DIMENSIONS ARE IN INCH TOLERANCES		DRAWN mbr 01/15/08		<p><b>ZENITH PUMPS</b> 1710 AIRPORT ROAD MONROE, NC 28110</p>	DRAWING NUMBER	REV
	.XX ± 0.01	.XXX ± 0.005	CHECKED	MODEL NUMBER = 119000063000			
	ANG ± 0.5		PRO/ENGINEER DRAWING	DRAWING = 119000063000	SCALE 5:4	11-90000-6300-0	G
			SIZE D	SHEET 2 OF 3			



SECTION A-A  
SCALE 9:4



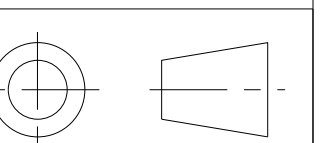
INSTALL SEAL ASSEMBLY TOOL  
ONTO SHAFT TO COVER KEYWAY  
DURING SEAL INSTALLATION,  
TO PREVENT DAMAGE.



APPLY TEFLON TAPE TO PLUG THREADS  
WHEN ASSEMBLING INTO HOUSING  
TO PREVENT LEAKAGE.

LUBRICATE UNDERSIDE OF CAP & THREADS  
ON FASTENERS WITH ANTI-SEIZE  
COMPOUND PRIOR TO ASSEMBLY.

INTERPRET PER ASME-Y14.5M 1994



<p>THIS DOCUMENT CONTAINS INFORMATION THAT IS CONFIDENTIAL AND PROPRIETARY TO ZENITH PUMPS, COLFAX CORPORATION "COLFAX". THIS DOCUMENT IS FURNISHED ON THE UNDERSTANDING THAT THE DOCUMENT AND THE INFORMATION IT CONTAINS WILL NOT BE COPIED OR DISCLOSED TO OTHERS OR USED FOR ANY PURPOSE OTHER THAN CONDUCTING BUSINESS WITH COLFAX, AND WILL BE RETURNED AND ALL FURTHER USE DISCONTINUED UPON REQUEST BY COLFAX.</p>	<p>UNLESS OTHERWISE SPECIFIED DIMENSIONS ARE IN INCH TOLERANCES</p>		<p>DRAWN mbr 01/15/08</p>	<p><b>ZENITH PUMPS</b> 1710 AIRPORT ROAD MONROE, NC 28110</p>	<p>SCALE 3:2 SHEET 3 OF 3</p>	<p>DRAWING NUMBER 11-90000-6300-0</p>	<p>REV G</p>
	<p>.XX ± 0.01 .XXX ± 0.005 ANG ± 0.5</p>		<p>CHECKED</p>				
			<p>MODEL NUMBER = 119000063000</p>				
			<p>DRAWING = 119000063000</p>				
		<p>PRO/ENGINEER DRAWING</p>	<p>SIZE D</p>				