

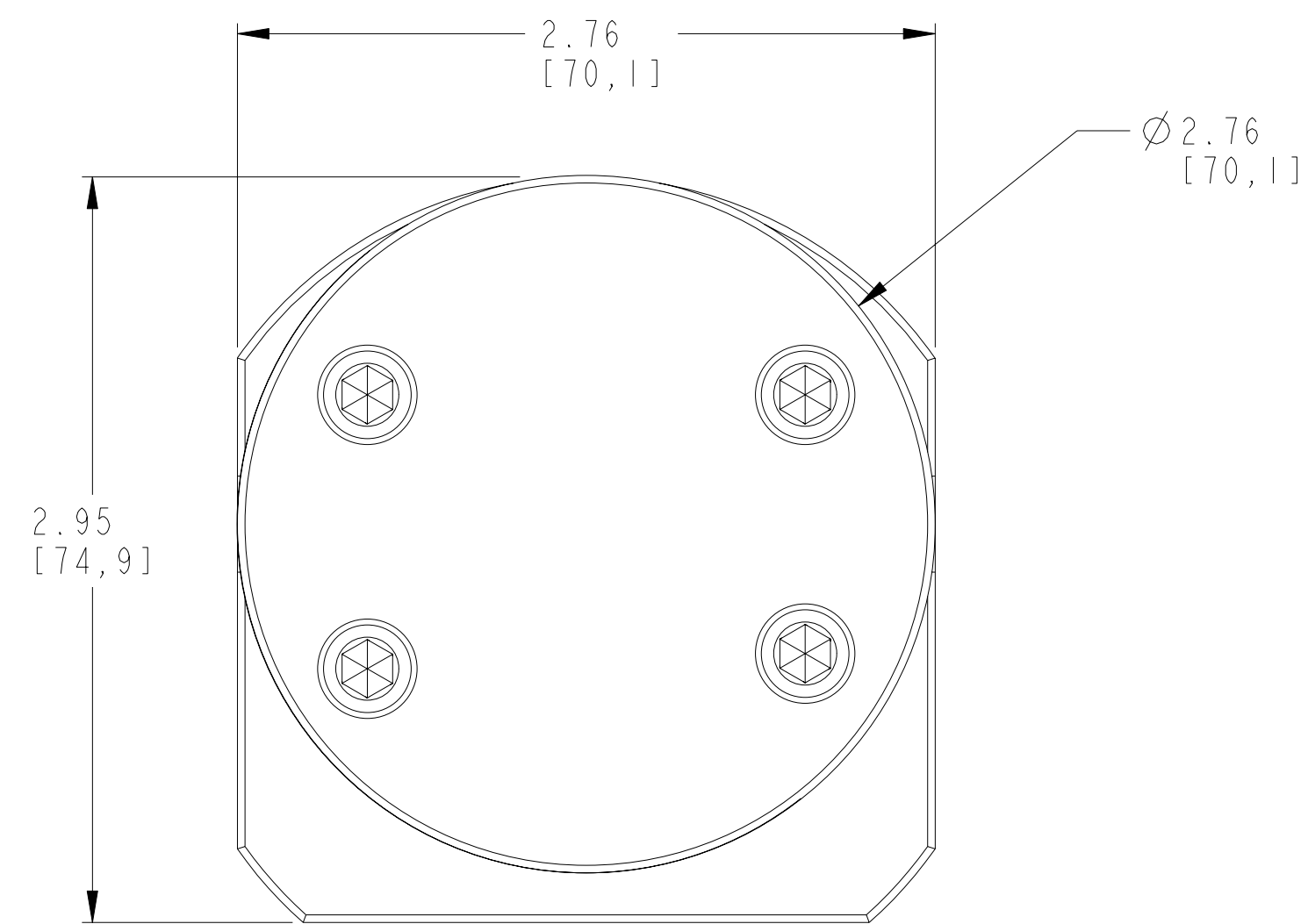
TORQUE CHART

M6 BOLTS LUBRICATED = 70 lb.-in. (7.9 N-m)

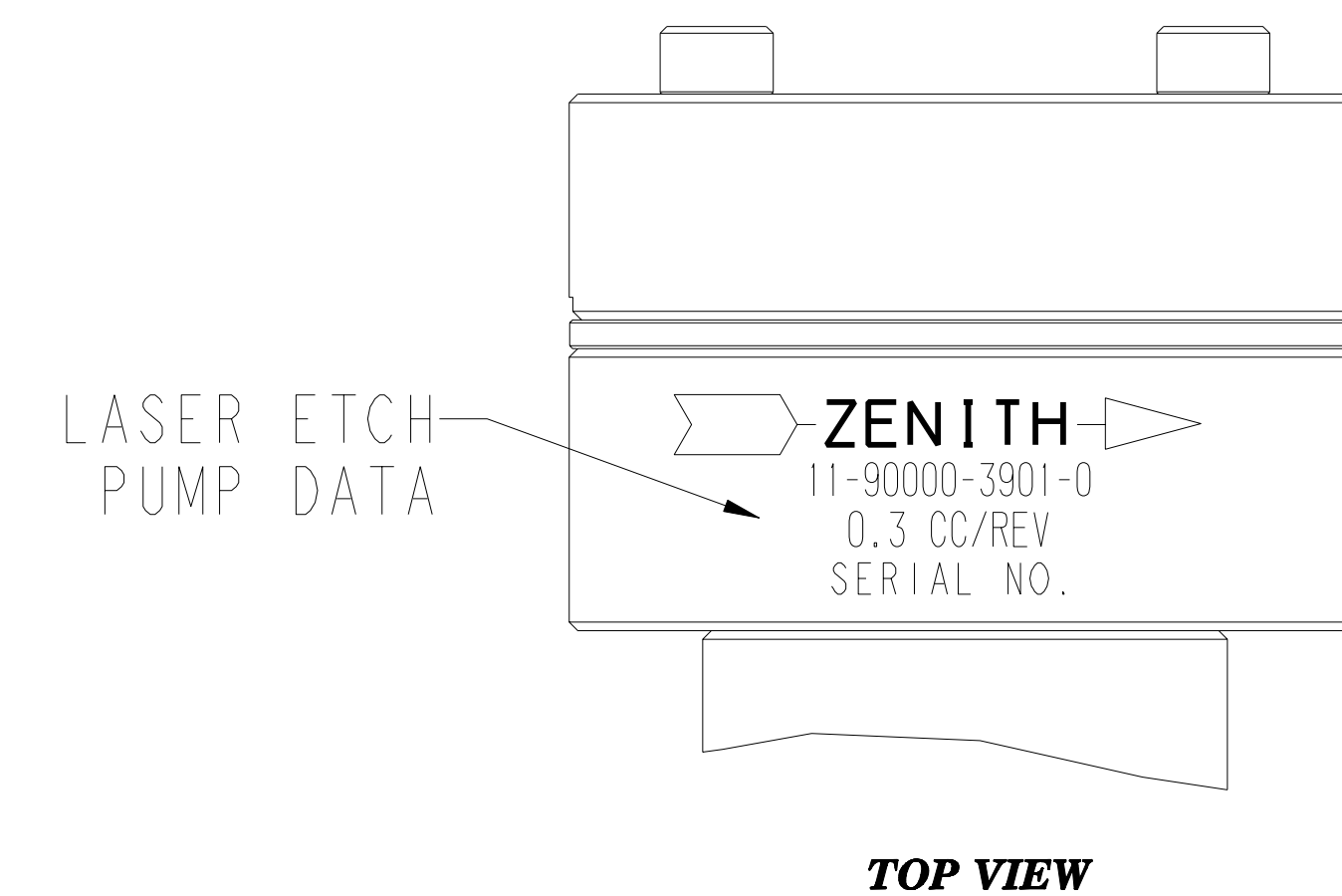
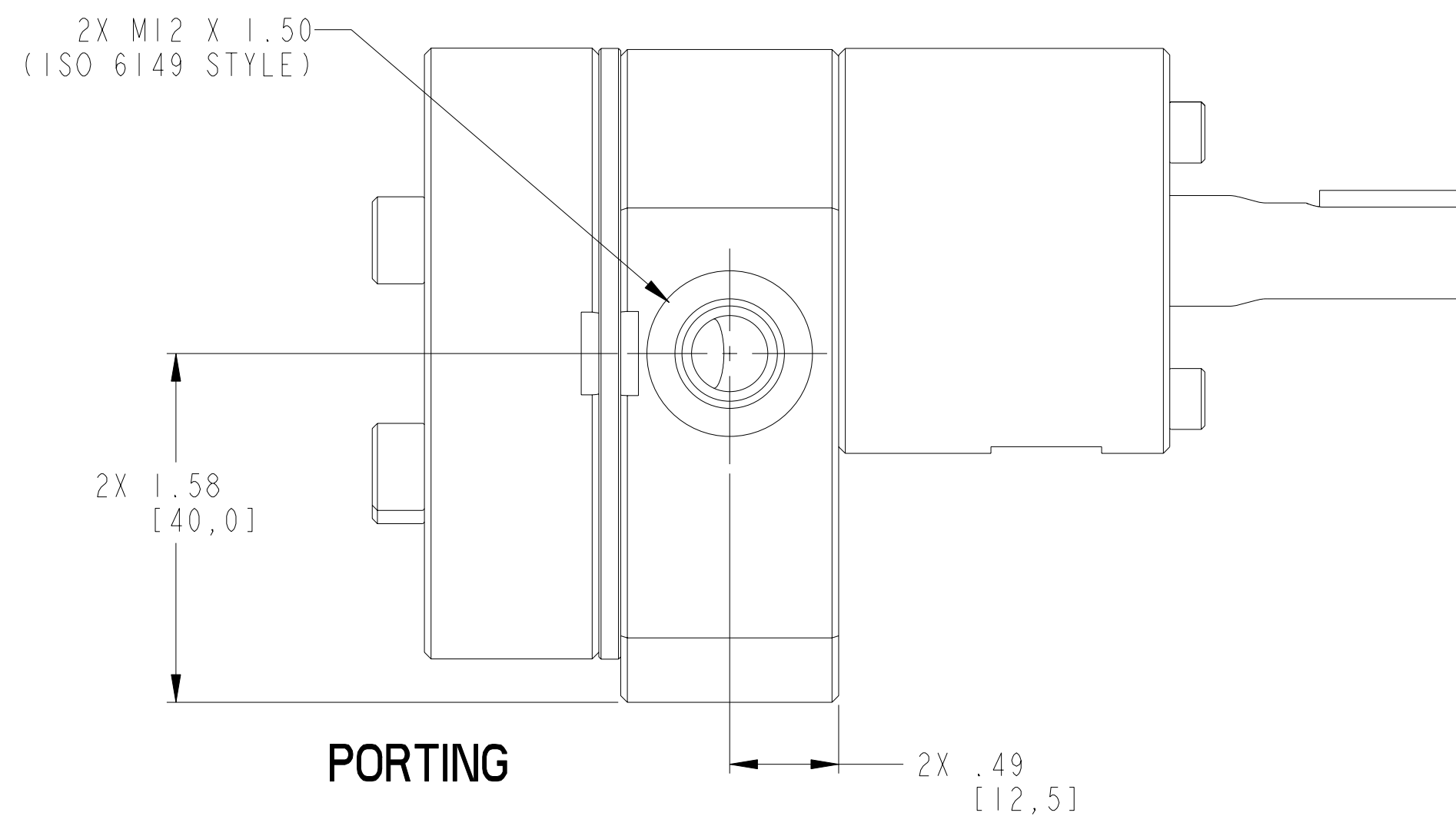
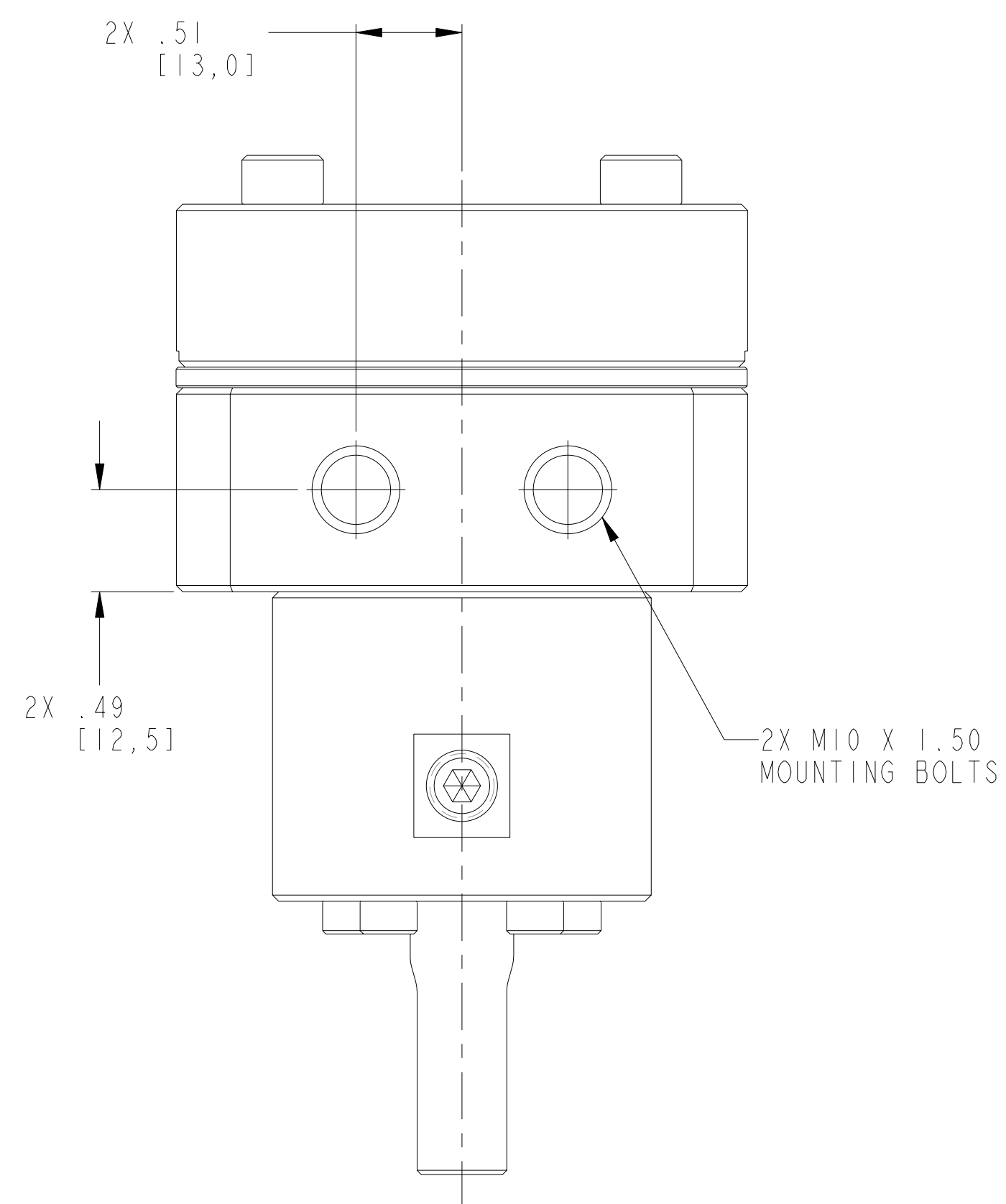
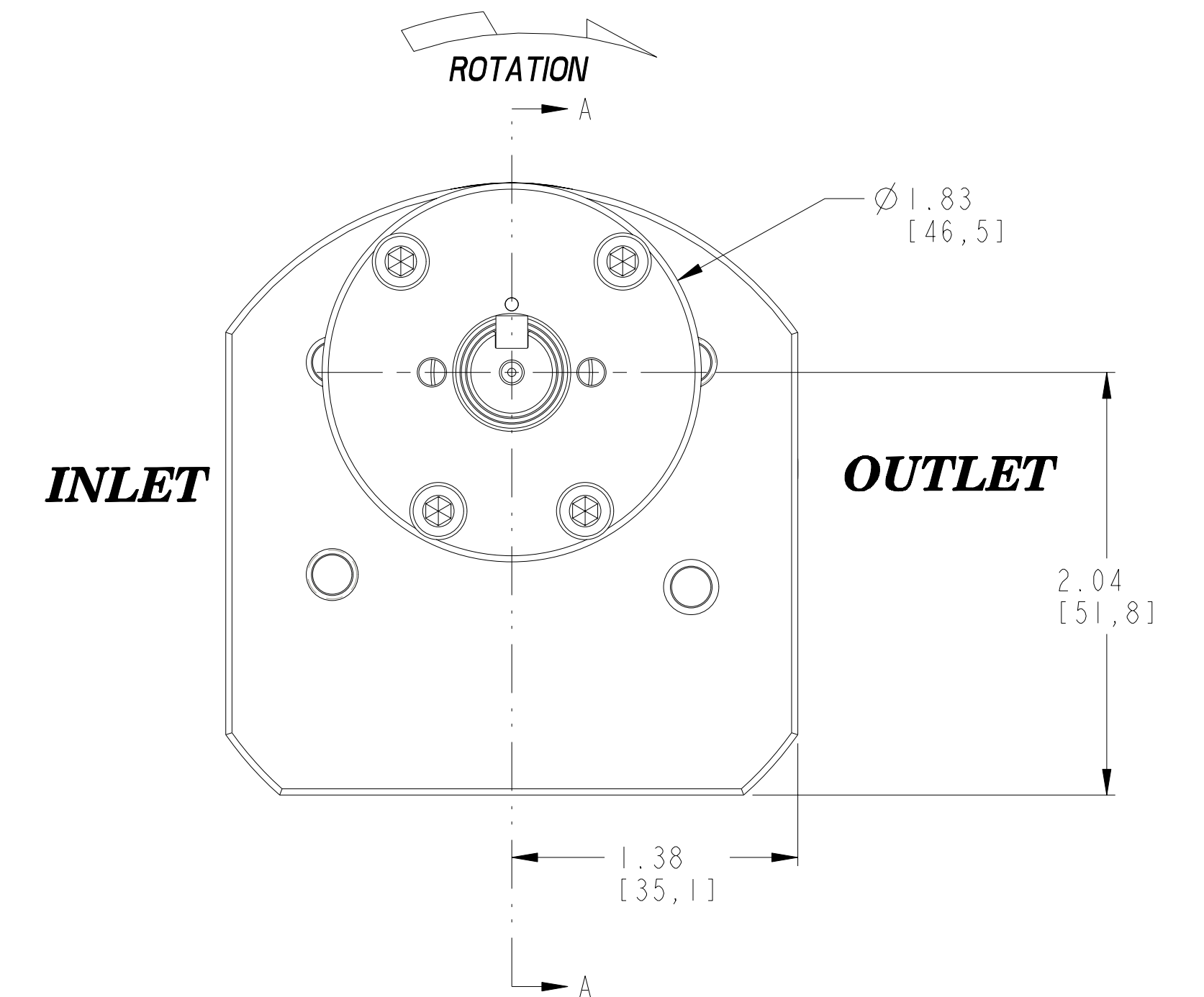
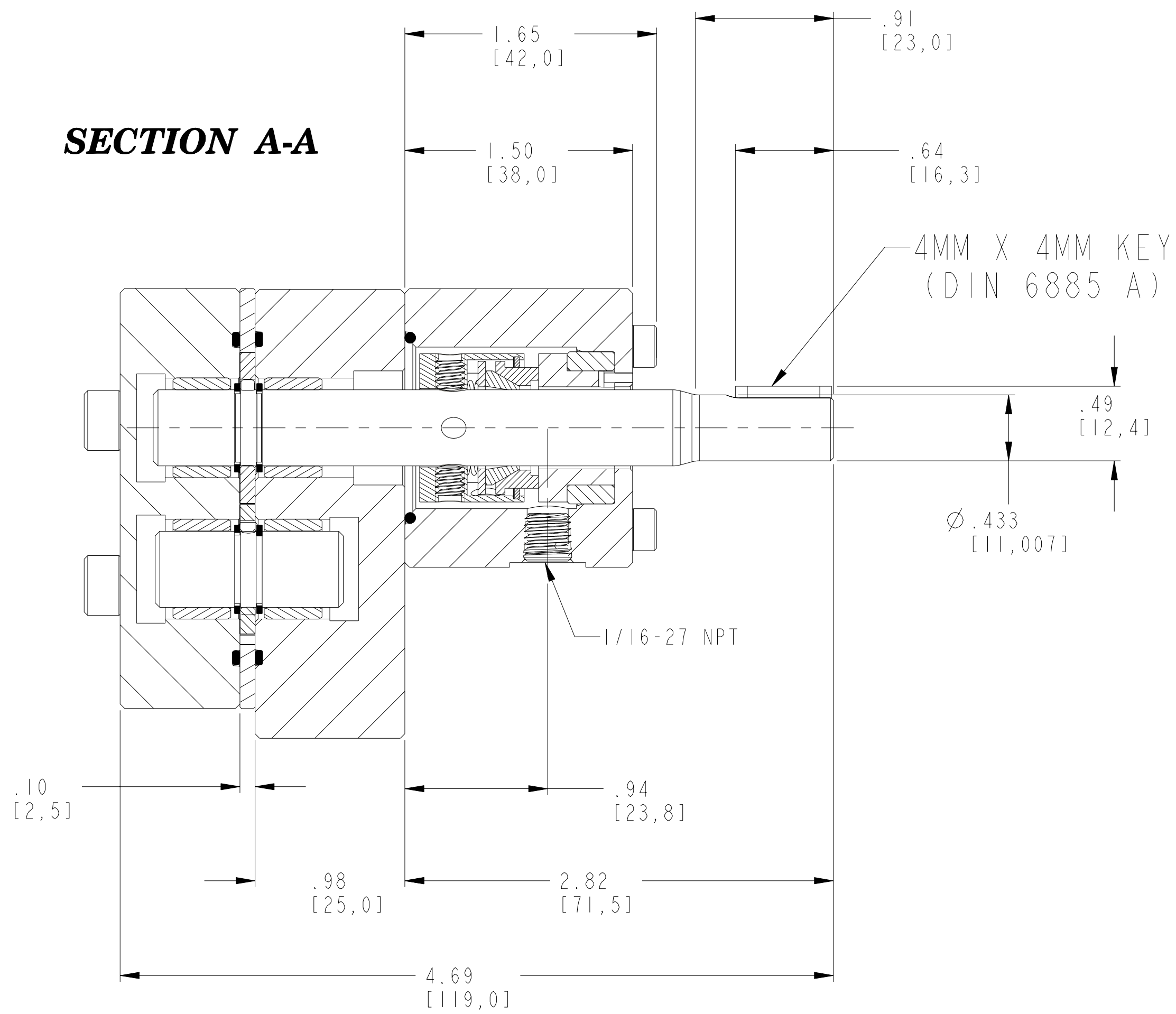
M4 BOLTS LUBRICATED = 20 lb.-in. (2.3N-m)

M10 BOLTS (MOUNTING) LUBRICATED = 335 lb.-in. (37.8 N-m)

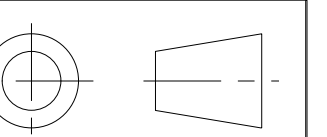
REVISIONS			
LTR	DESCRIPTION	DATE	ECN NO.
B	QTY OF RTN RING WAS 3	1/5/05	341-2004



SECTION A-A



INTERPRET PER ASME-Y14.5M 1994



THIS DOCUMENT CONTAINS INFORMATION THAT IS CONFIDENTIAL AND PROPRIETARY TO ZENITH PUMPS, COLFAX CORPORATION "COLFAX". THIS DOCUMENT IS FURNISHED ON THE UNDERSTANDING THAT THE DOCUMENT AND THE INFORMATION IT CONTAINS WILL NOT BE COPIED OR DISCLOSED TO OTHERS OR USED FOR ANY PURPOSE OTHER THAN CONDUCTING BUSINESS WITH COLFAX, AND WILL BE RETURNED AND ALL FURTHER USE DISCONTINUED UPON REQUEST BY COLFAX.

UNLESS OTHERWISE SPECIFIED DIMENSIONS ARE IN INCH TOLERANCES
 .XX ± 0.01
 .XXX ± 0.005
 ANG ± 0.5

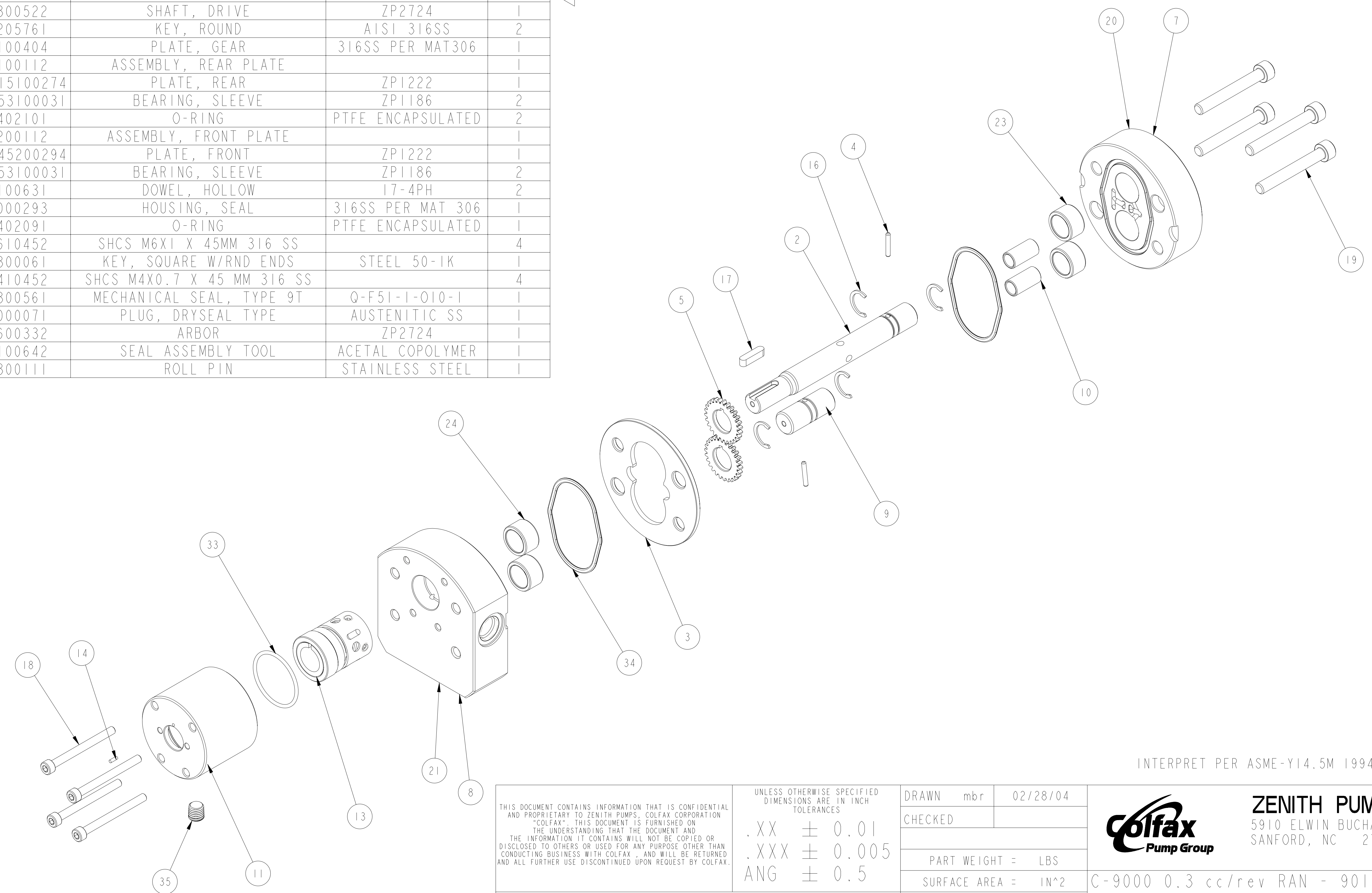
MATERIAL SEE BILL OF MATERIAL

DRAWN	mbr	02/28/04
CHECKED		
PART WEIGHT =	LBS	
SURFACE AREA =	IN ²	
MODEL NUMBER =	119000039010	
DRAWING =	119000039010	
PRO/ENGINEER DRAWING	SIZE D	

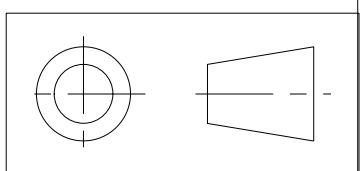
	ZENITH PUMPS 5910 ELWIN BUCHANAN DRIVE SANFORD, NC 27330	
	C-9000 0.3 cc/rev RAN - 901 SINGLE STREAM PUMP	
SCALE 3:2	DRAWING NUMBER	
SHEET 1 OF 3	11-90000-3901-0	

ITEM No.	PART NUMBER	PART NAME	MATERIAL	QTY
	119000039010	C-9000 0.3 cc/rev RAN - 901		1
5	152160501322	GEAR, DRIVING	ZP2724	2
16	181831800122	RING - RETAINING	PH 15-7 MO	4
2	157956800522	SHAFT, DRIVE	ZP2724	1
4	155600205761	KEY, ROUND	AISI 316SS	2
3	156925100404	PLATE, GEAR	316SS PER MAT306	1
7	146915100112	ASSEMBLY, REAR PLATE		1
20	156915100274	PLATE, REAR	ZPI222	1
23	150453100031	BEARING, SLEEVE	ZPI186	2
34	187650402101	O-RING	PTFE ENCAPSULATED	2
8	146945200112	ASSEMBLY, FRONT PLATE		1
21	156945200294	PLATE, FRONT	ZPI222	1
24	150453100031	BEARING, SLEEVE	ZPI186	2
10	151609100631	DOWEL, HOLLOW	17-4PH	2
11	155402000293	HOUSING, SEAL	316SS PER MAT 306	1
33	187650402091	O-RING	PTFE ENCAPSULATED	1
19	189340610452	SHCS M6X1 X 45MM 316 SS		4
17	185600800061	KEY, SQUARE W/RND ENDS	STEEL 50-1K	1
18	189340410452	SHCS M4X0.7 X 45 MM 316 SS		4
13	187900300561	MECHANICAL SEAL, TYPE 9T	Q-F51-1-010-1	1
35	187300000071	PLUG, DRYSEAL TYPE	AUSTENITIC SS	1
9	150115600332	ARBOR	ZP2724	1
30	150013100642	SEAL ASSEMBLY TOOL	ACETAL COPOLYMER	1
14	181830800111	ROLL PIN	STAINLESS STEEL	1

REVISIONS			
LTR	DESCRIPTION	DATE	ECN NO.
B	QTY OF RTN RING WAS 3	1/5/05	341-2004

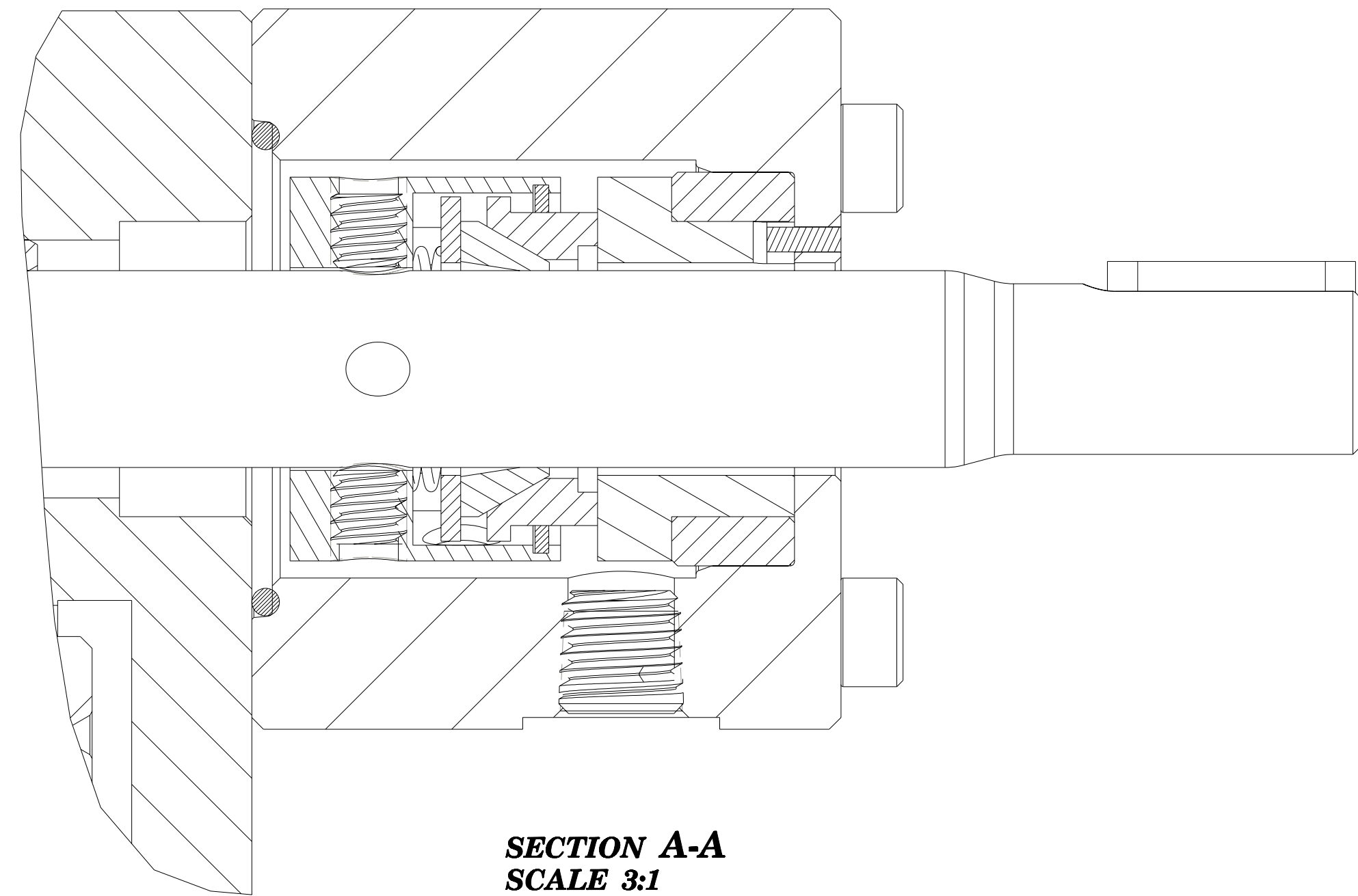


INTERPRET PER ASME-Y14.5M 1994



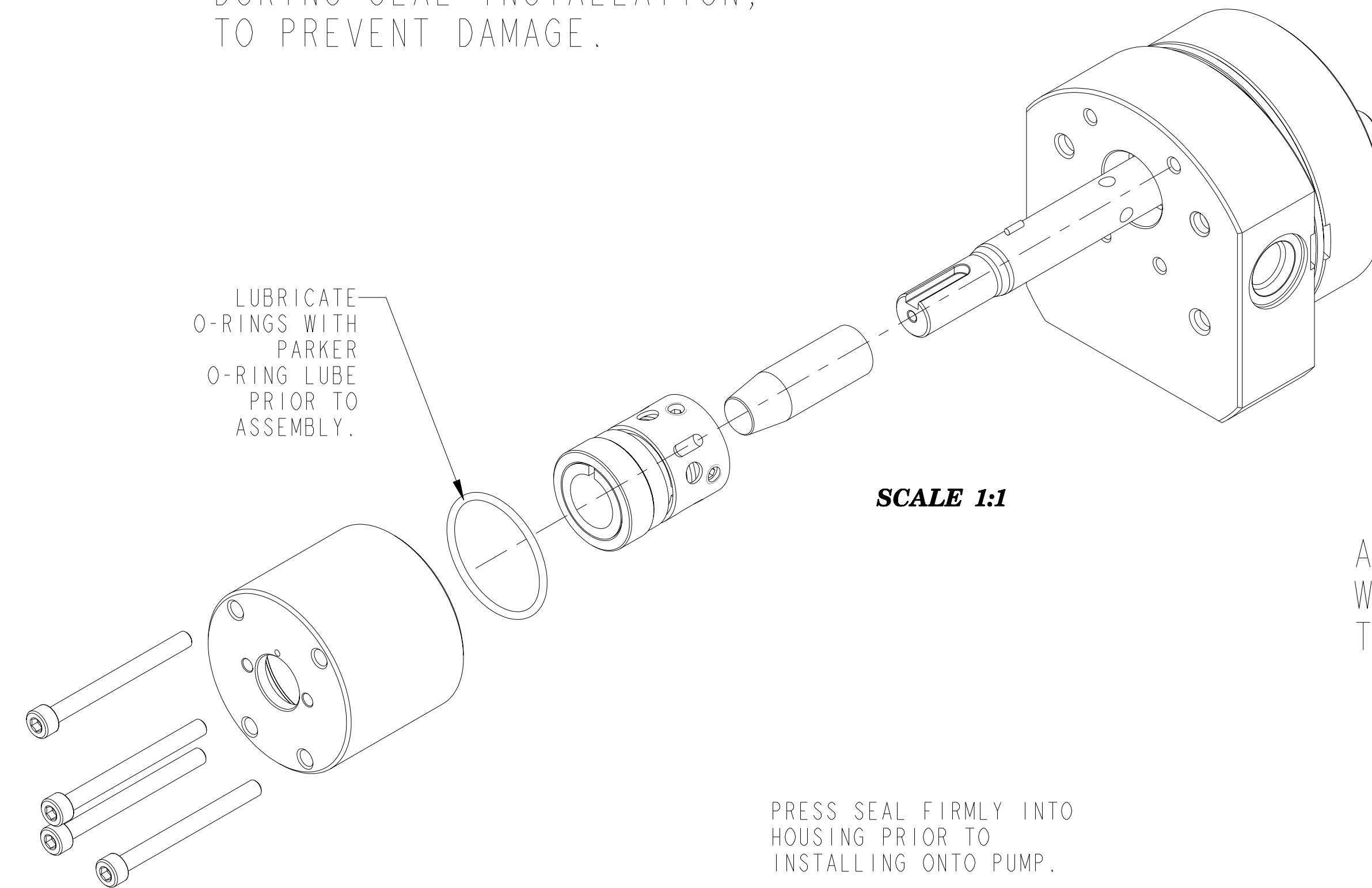
<p>THIS DOCUMENT CONTAINS INFORMATION THAT IS CONFIDENTIAL AND PROPRIETARY TO ZENITH PUMPS, COLFAX CORPORATION "COLFAX". THIS DOCUMENT IS FURNISHED ON THE UNDERSTANDING THAT THE DOCUMENT AND THE INFORMATION IT CONTAINS WILL NOT BE COPIED OR DISCLOSED TO OTHERS OR USED FOR ANY PURPOSE OTHER THAN CONDUCTING BUSINESS WITH COLFAX, AND WILL BE RETURNED AND ALL FURTHER USE DISCONTINUED UPON REQUEST BY COLFAX.</p>	<p>UNLESS OTHERWISE SPECIFIED DIMENSIONS ARE IN INCH TOLERANCES</p> <p>.XX ± 0.01 .XXX ± 0.005 ANG ± 0.5</p>	<p>DRAWN mbr 02/28/04</p>	<p>COLFAX Pump Group</p> <p>ZENITH PUMPS 5910 ELWIN BUCHANAN DRIVE SANFORD, NC 27330</p>
		<p>CHECKED</p>	
<p>MATERIAL SEE BILL OF MATERIAL</p>		<p>PART WEIGHT = LBS</p> <p>SURFACE AREA = IN²</p>	<p>C-9000 0.3 cc/rev RAN - 901 SINGLE STREAM PUMP</p>
		<p>MODEL NUMBER = 119000039010 DRAWING = 119000039010</p>	<p>SCALE 1:1 SHEET 2 OF 3</p>
		<p>PRO/ENGINEER DRAWING SIZE D</p>	<p>DRAWING NUMBER 11-90000-3901-0</p>

REVISIONS			
LTR	DESCRIPTION	DATE	ECN NO.
B	QTY OF RTN RING WAS 3	1/5/05	341-2004



SECTION A-A
SCALE 3:1

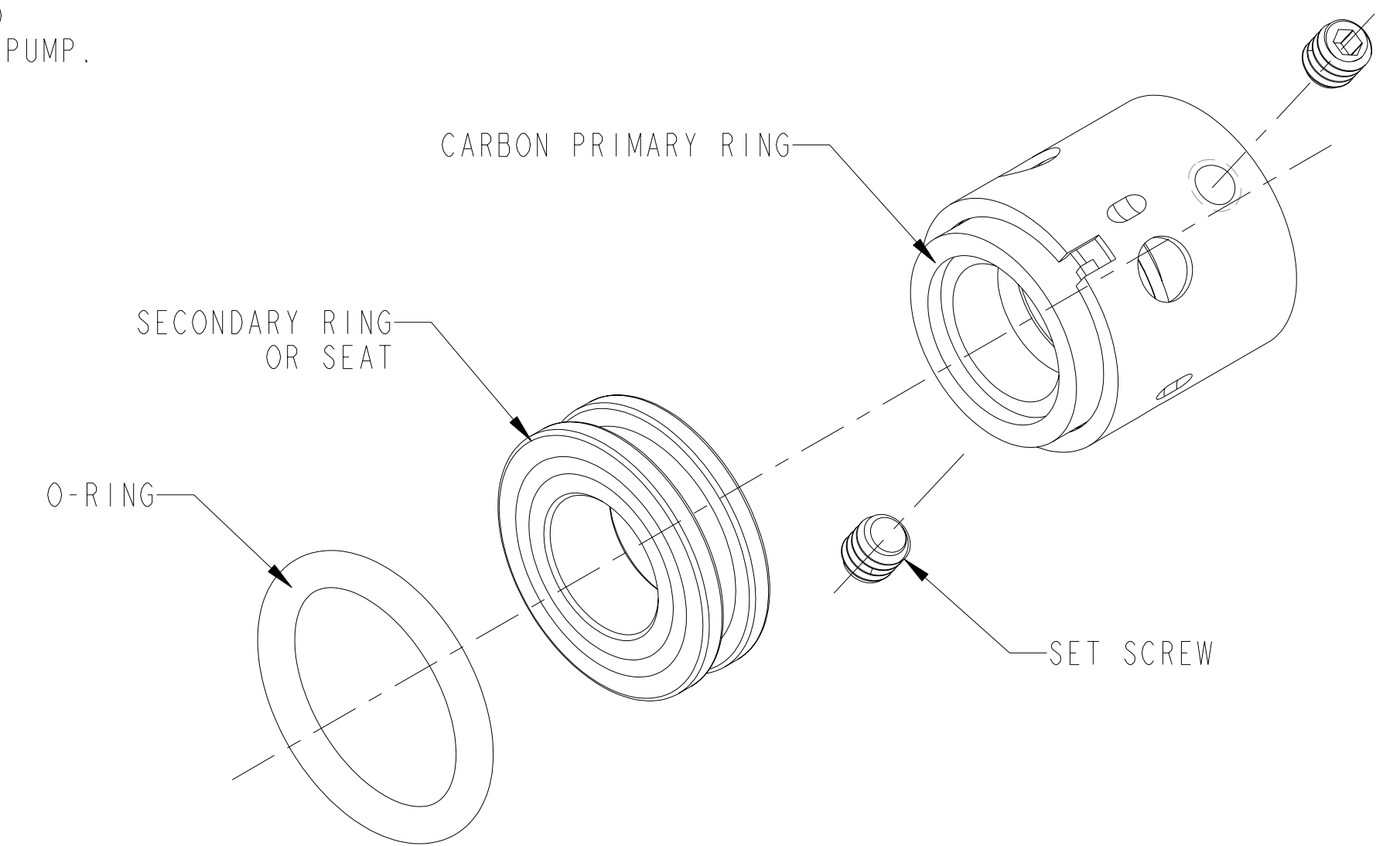
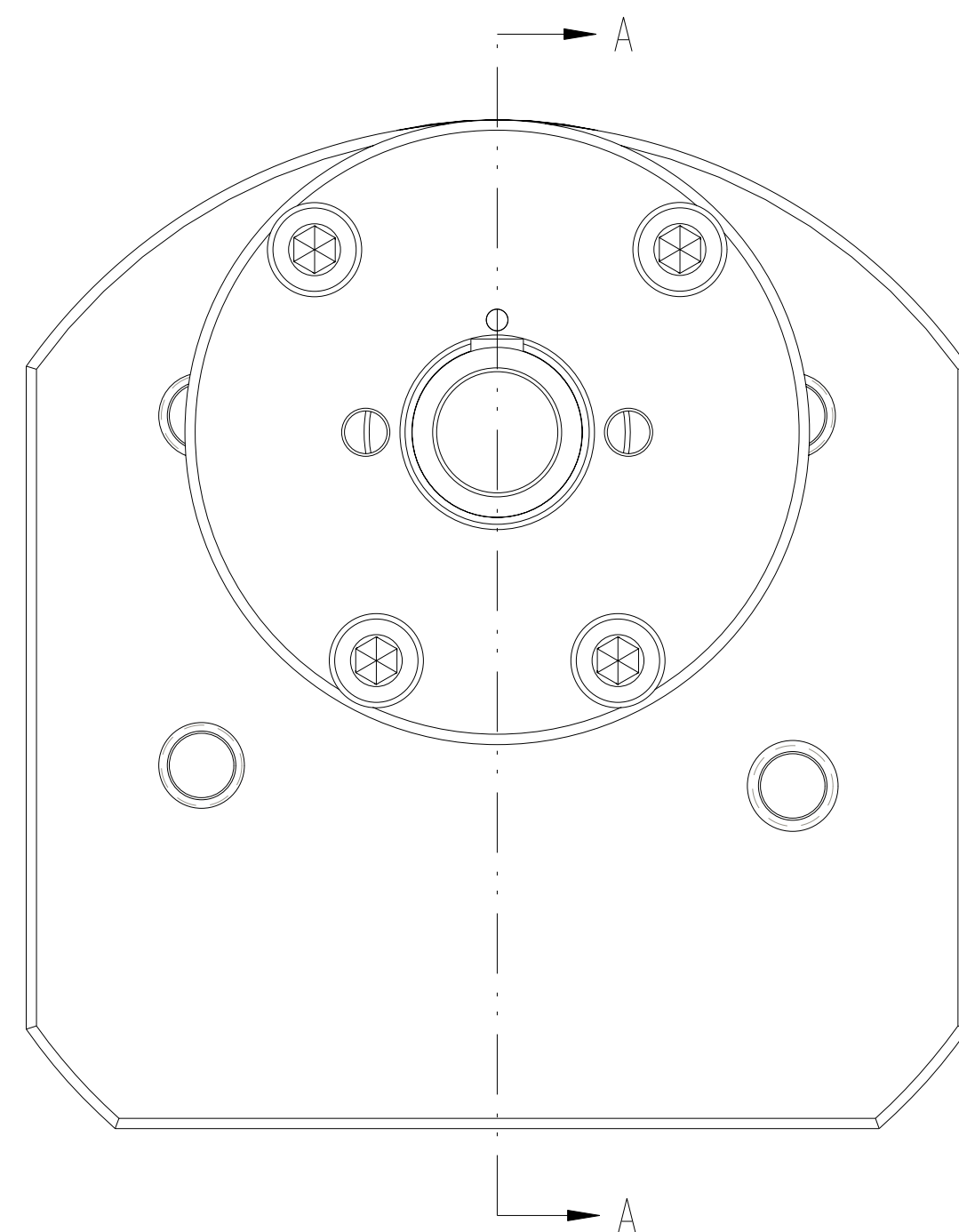
INSTALL SEAL ASSEMBLY TOOL
ONTO SHAFT TO COVER KEYWAY
DURING SEAL INSTALLATION,
TO PREVENT DAMAGE.



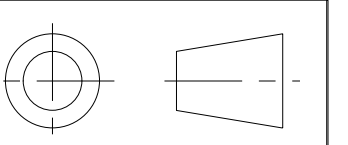
SCALE 1:1

MECHANICAL SEAL ASSEMBLY
SCALE 2:1

APPLY TEFLON TAPE TO PLUG THREADS
WHEN ASSEMBLING INTO HOUSING
TO PREVENT LEAKAGE.



INTERPRET PER ASME-Y14.5M 1994



<small>THIS DOCUMENT CONTAINS INFORMATION THAT IS CONFIDENTIAL AND PROPRIETARY TO ZENITH PUMPS, COLFAX CORPORATION "COLFAX". THIS DOCUMENT IS FURNISHED ON THE UNDERSTANDING THAT THE DOCUMENT AND THE INFORMATION IT CONTAINS WILL NOT BE COPIED OR DISCLOSED TO OTHERS OR USED FOR ANY PURPOSE OTHER THAN CONDUCTING BUSINESS WITH COLFAX, AND WILL BE RETURNED AND ALL FURTHER USE DISCONTINUED UPON REQUEST BY COLFAX.</small>	<small>UNLESS OTHERWISE SPECIFIED DIMENSIONS ARE IN INCH TOLERANCES</small> .XX ± 0.01 .XXX ± 0.005 ANG ± 0.5	DRAWN mbr 02/28/04 CHECKED		ZENITH PUMPS 5910 ELWIN BUCHANAN DRIVE SANFORD, NC 27330
		PART WEIGHT = LBS SURFACE AREA = IN ²		
MATERIAL SEE BILL OF MATERIAL		MODEL NUMBER = 119000039010 DRAWING = 119000039010	SCALE 2:1 SHEET 3 OF 3	DRAWING NUMBER 11-90000-3901-0