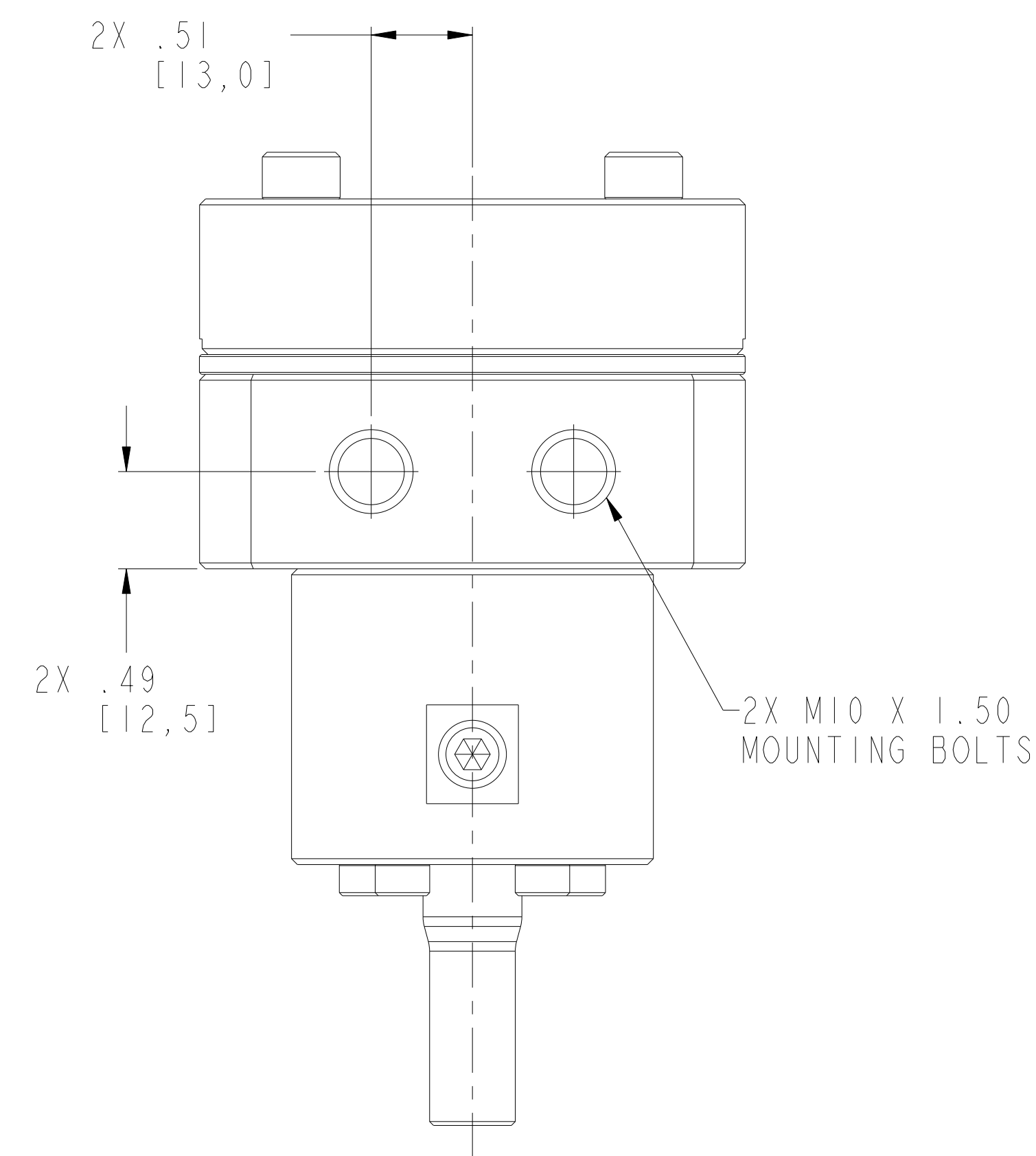
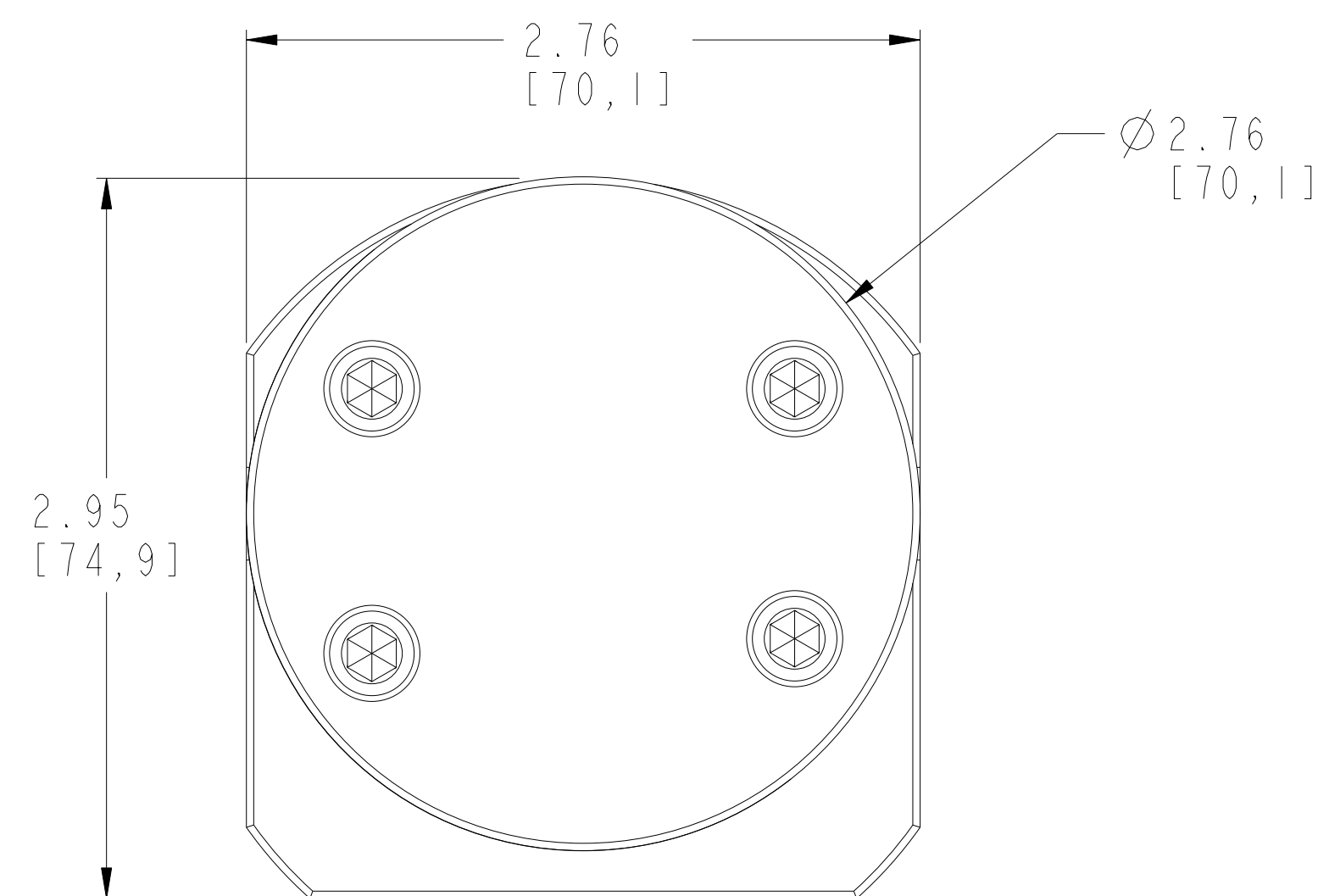


TORQUE CHART

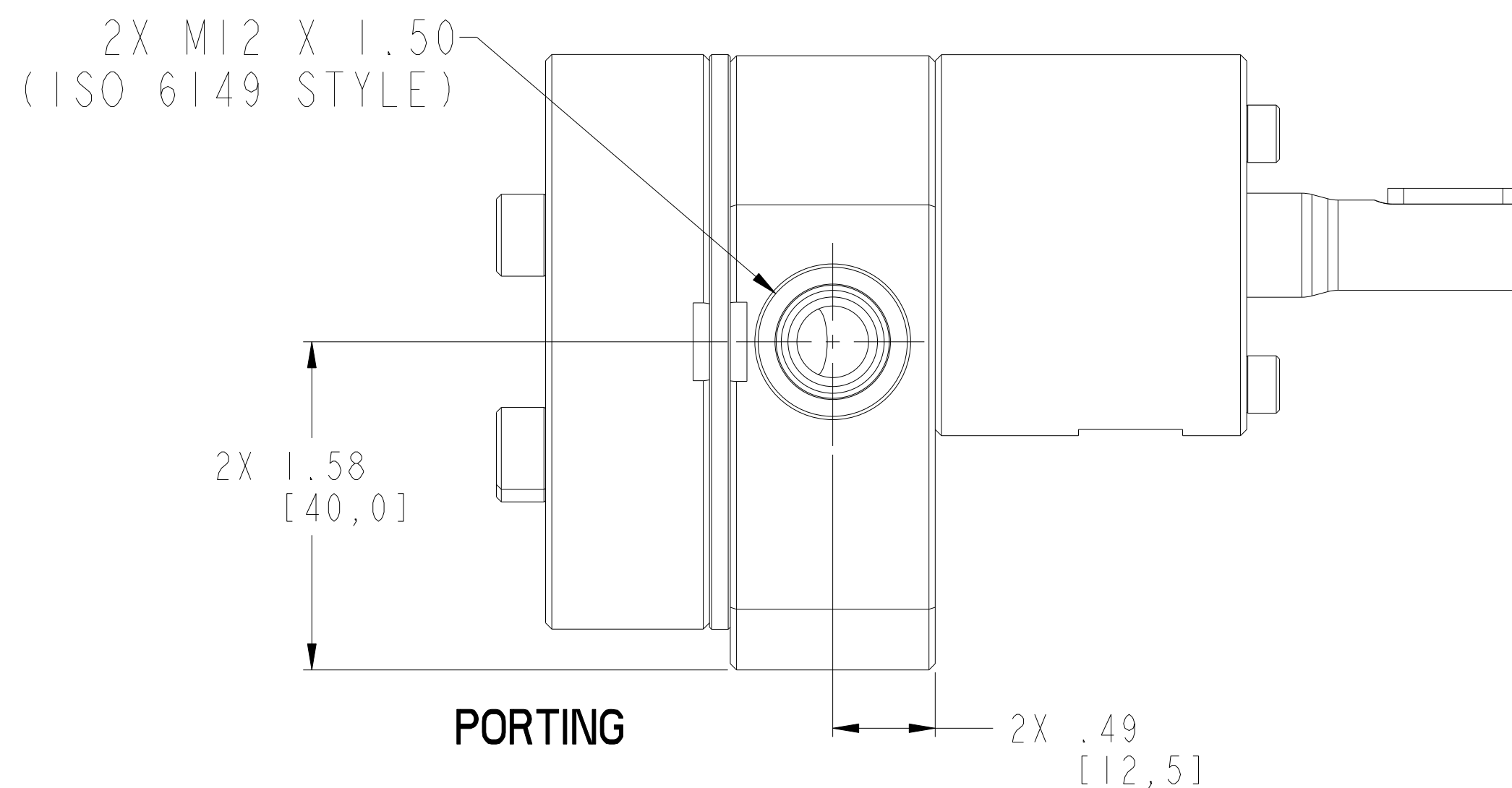
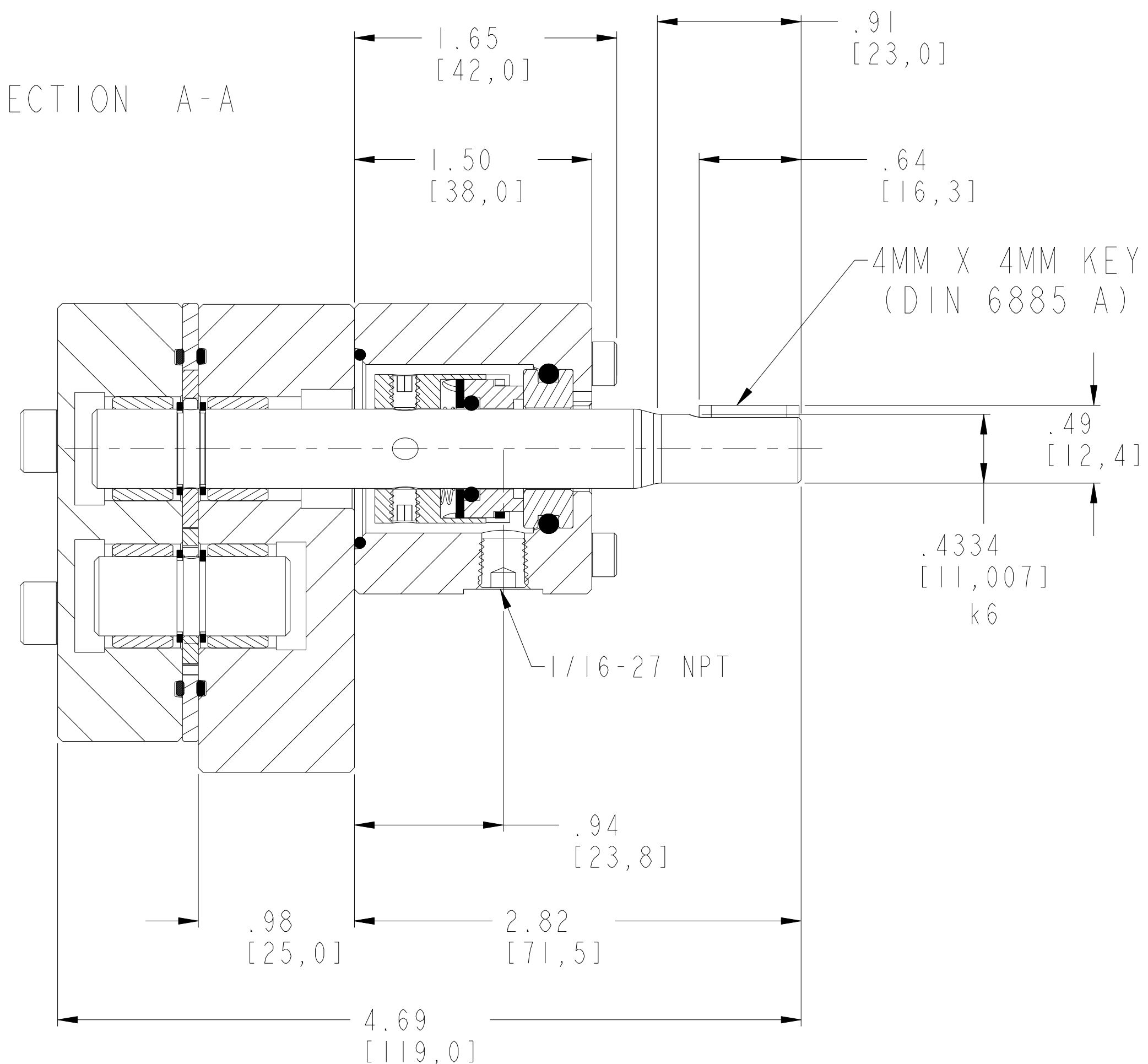
M6 BOLTS LUBRICATED = 70 lb.-in. (7.9 N-m)

M4 BOLTS LUBRICATED = 20 lb.-in. (2.3N-m)

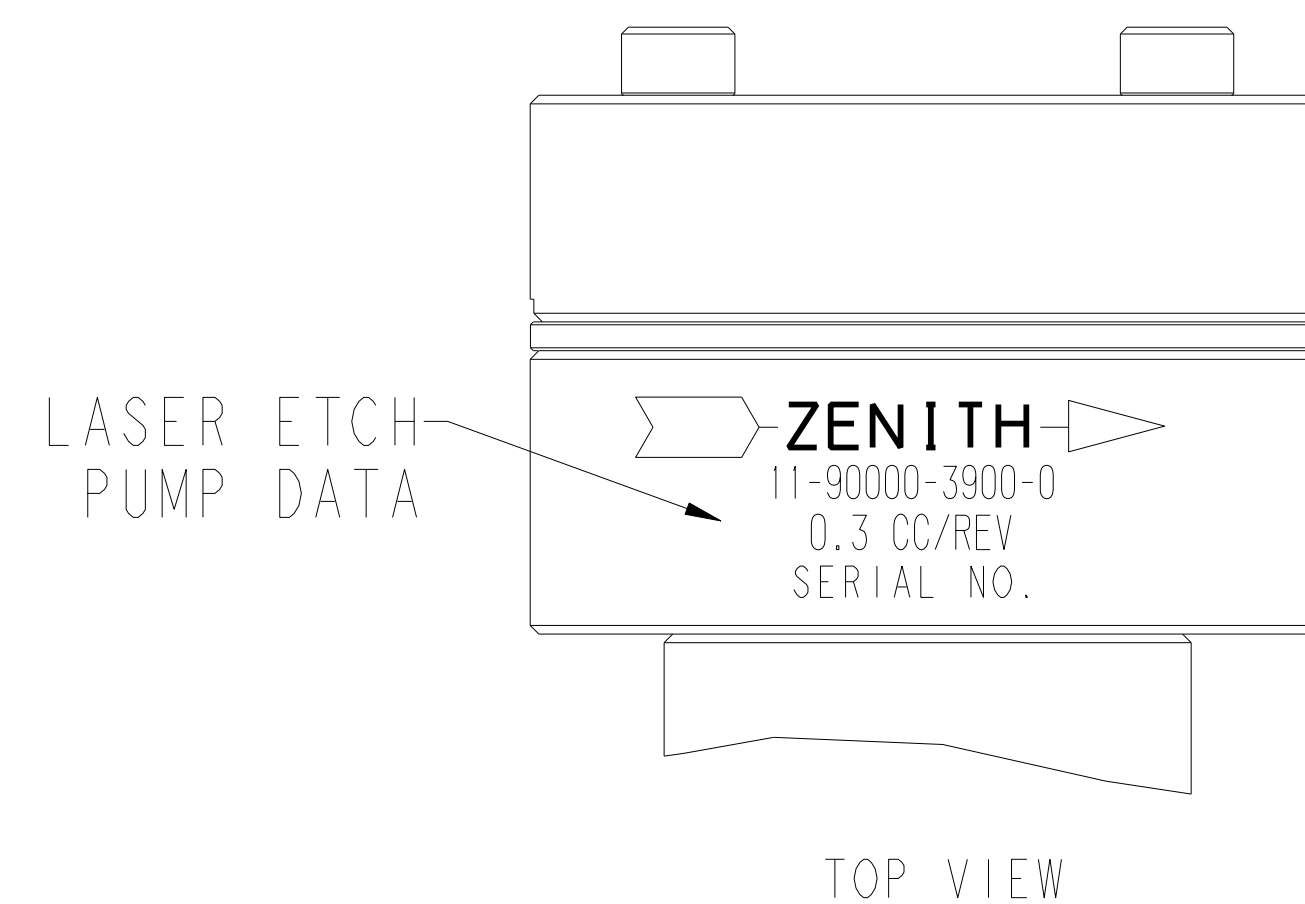
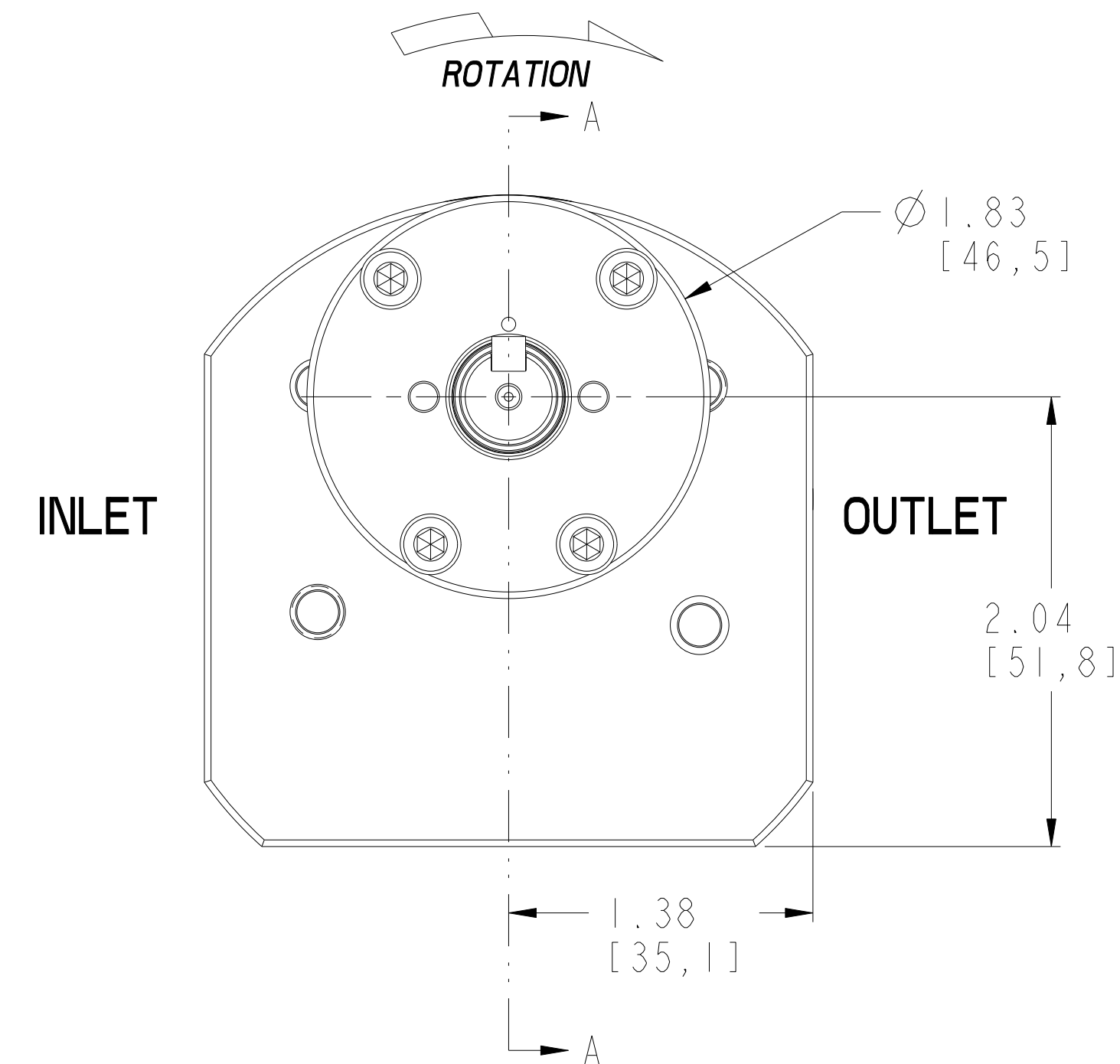
M10 BOLTS (MOUNTING) LUBRICATED = 335 lb.-in. (37.8 N-m)



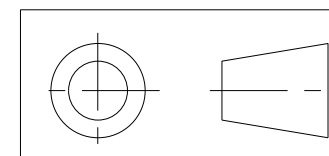
SECTION A-A



REVISIONS			
LTR	DESCRIPTION	DATE	ECN NO.
I	PLUG WAS 18-73000-0007-1	07/24/07	127-2007



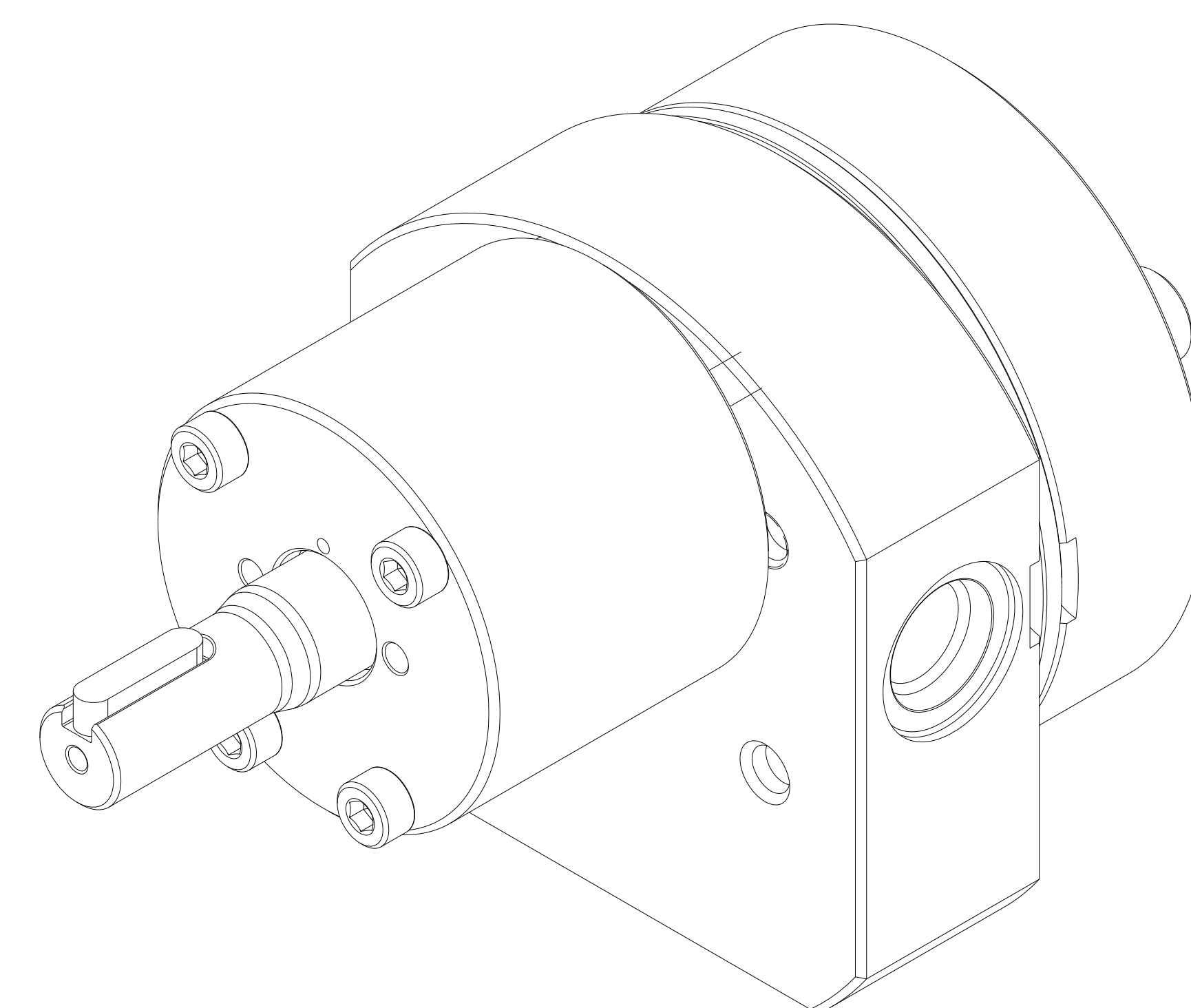
INTERPRET PER ASME-Y14.5M 1994



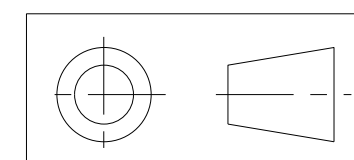
<p>THIS DOCUMENT CONTAINS INFORMATION THAT IS CONFIDENTIAL AND PROPRIETARY TO ZENITH PUMPS, COLFAX CORPORATION "COLFAX". THIS DOCUMENT IS FURNISHED ON THE UNDERSTANDING THAT THE DOCUMENT AND THE INFORMATION IT CONTAINS WILL NOT BE COPIED OR DISCLOSED TO OTHERS OR USED FOR ANY PURPOSE OTHER THAN CONDUCTING BUSINESS WITH COLFAX, AND WILL BE RETURNED AND ALL FURTHER USE DISCONTINUED UPON REQUEST BY COLFAX.</p>	<p>UNLESS OTHERWISE SPECIFIED DIMENSIONS ARE IN INCH TOLERANCES</p> <p>.XX ± 0.01 .XXX ± 0.005 ANG ± 0.5</p>	DRAWN LG	1.22.99	<p>ZENITH PUMPS 5910 ELWIN BUCHANAN DRIVE SANFORD, NC 27330</p>
		CHECKED		
<p>MATERIAL</p> <p>SEE BILL OF MATERIAL ON SHEET 2</p>		<p>MODEL NUMBER = 119000039000</p> <p>DRAWING = 119000039000</p>	<p>C-9000 TYPE PUMP</p> <p>0.3 CC/REV RANDOM 900</p>	<p>SCALE 3:2</p> <p>SHEET 1 OF 3</p>
		<p>PRO/ENGINEER DRAWING</p>	<p>SIZE D</p>	


ITEM No.	PART NUMBER	PART NAME	MATERIAL	QTY
	119000039000	C-9000 TYPE PUMP		1
5	152160501322	GEAR, DRIVING	ZP2724	2
16	181831800122	RING - RETAINING	PH 15-7 MO	4
2	157956800522	SHAFT, DRIVE	ZP2724	1
4	155600205761	KEY, ROUND	AISI 316SS	2
3	156925100404	PLATE, GEAR	316SS PER MAT306	1
7	146915100112	ASSEMBLY, REAR PLATE		1
20	156915100274	PLATE, REAR	ZPI222	1
23	150453100031	BEARING, SLEEVE	ZPI186	2
34	187650402101	O-RING	PTFE ENCAPSULATED	2
8	146945200112	ASSEMBLY, FRONT PLATE		1
21	156945200294	PLATE, FRONT	ZPI222	1
24	150453100031	BEARING, SLEEVE	ZPI186	2
10	151609100631	DOWEL, HOLLOW	17-4PH	2
11	155402000293	HOUSING, SEAL	316SS PER MAT 306	1
33	187650402091	O-RING	PTFE ENCAPSULATED	1
19	189340610452	SHCS M6X1 X 45MM 316 SS		4
17	185600800061	KEY, SQUARE W/RND ENDS	STEEL 50-1K	1
18	189340410452	SHCS M4X0.7 X 45 MM 316 SS		4
13	187900300531	TYPE 8-IT MECHANICAL SEAL	X VITON O-RING	1
35	187300000161	PLUG, DRYSEAL TYPE	316 S.S.	1
9	150115600332	ARBOR	ZP2724	1
30	150013100642	SEAL ASSEMBLY TOOL	ACETAL COPOLYMER	1

REVISIONS			
LTR	DESCRIPTION	DATE	ECN NO.
1	PLUG WAS 18-73000-0007-1	07/24/07	127-2007

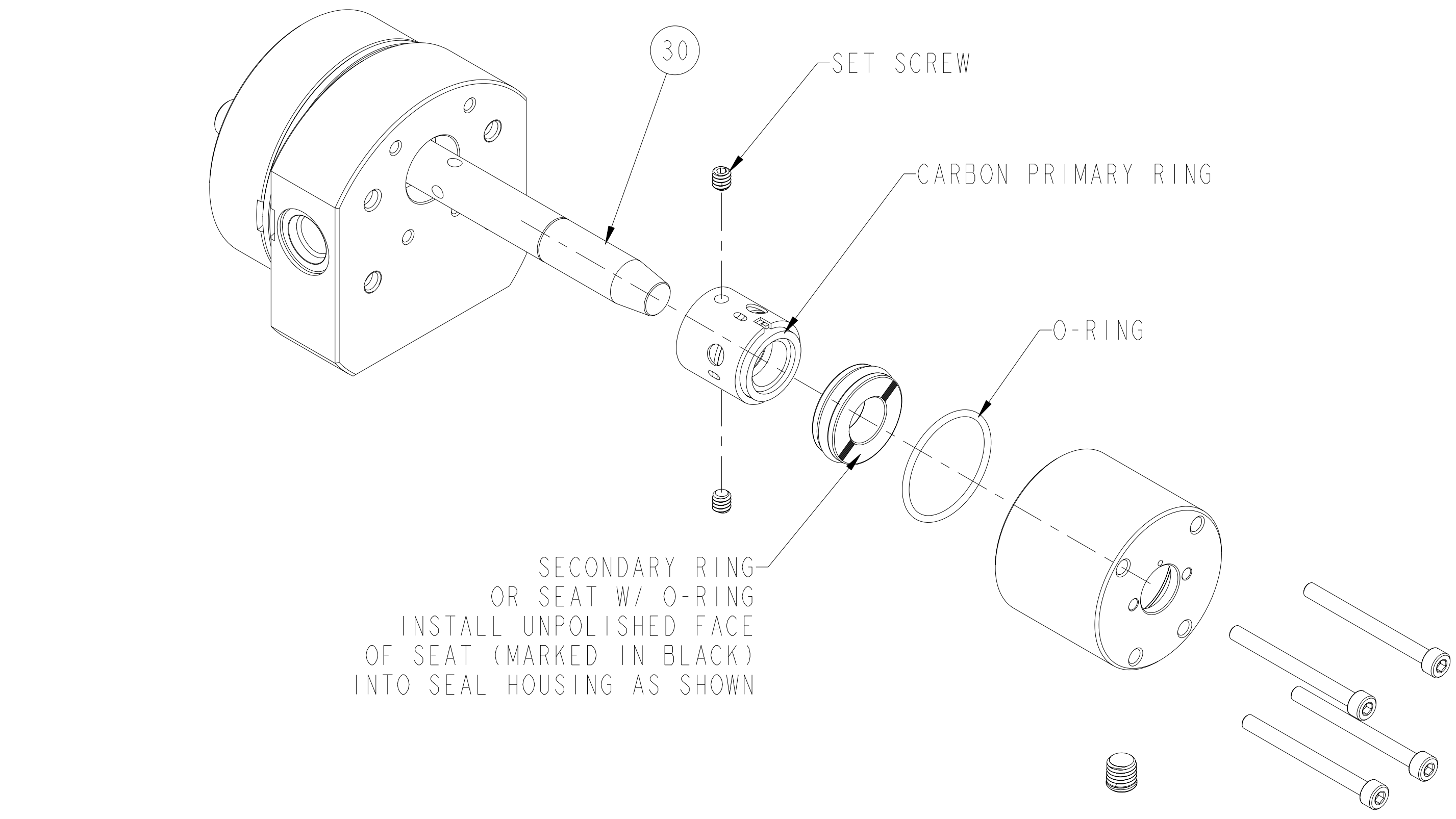


INTERPRET PER ASME-Y14.5M 1994

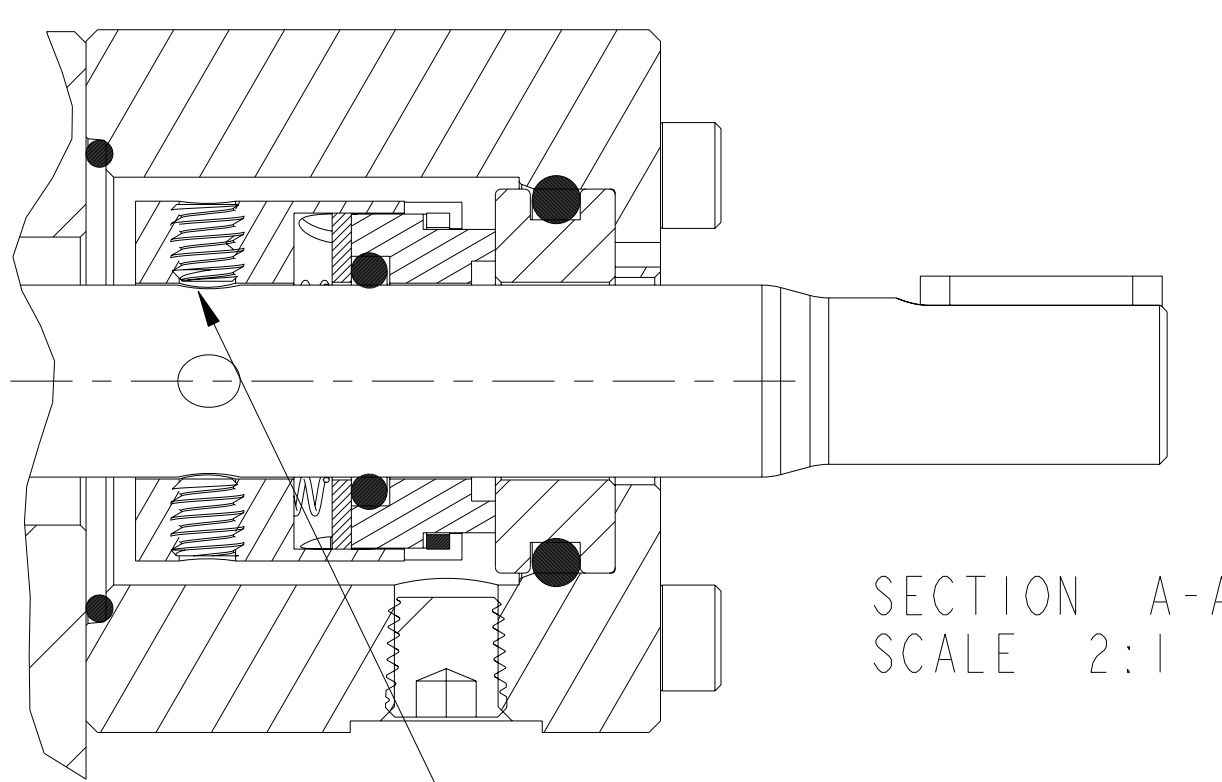


<small>THIS DOCUMENT CONTAINS INFORMATION THAT IS CONFIDENTIAL AND PROPRIETARY TO ZENITH PUMPS, COLFAX CORPORATION "COLFAX". THIS DOCUMENT IS FURNISHED ON THE UNDERSTANDING THAT THE DOCUMENT AND THE INFORMATION IT CONTAINS WILL NOT BE COPIED OR DISCLOSED TO OTHERS OR USED FOR ANY PURPOSE OTHER THAN CONDUCTING BUSINESS WITH COLFAX, AND WILL BE RETURNED AND ALL FURTHER USE DISCONTINUED UPON REQUEST BY COLFAX.</small>	<small>UNLESS OTHERWISE SPECIFIED DIMENSIONS ARE IN INCH TOLERANCES</small> .XX ± 0.01 .XXX ± 0.005 ANG ± 0.5	DRAWN LG	1.22.99	 ZENITH PUMPS 5910 ELWIN BUCHANAN DRIVE SANFORD, NC 27330	
		CHECKED			
MATERIAL SEE BILL OF MATERIAL ON SHEET 2		PART WEIGHT =	LBS	C-9000 TYPE PUMP 0.3 CC/REV RANDOM 900	
		SURFACE AREA =	IN^2		
		MODEL NUMBER = 119000039000 DRAWING = 119000039000	PRO/ENGINEER DRAWING	SIZE D	SCALE 2:1 SHEET 2 OF 3
					DRAWING NUMBER 11-90000-3900-0

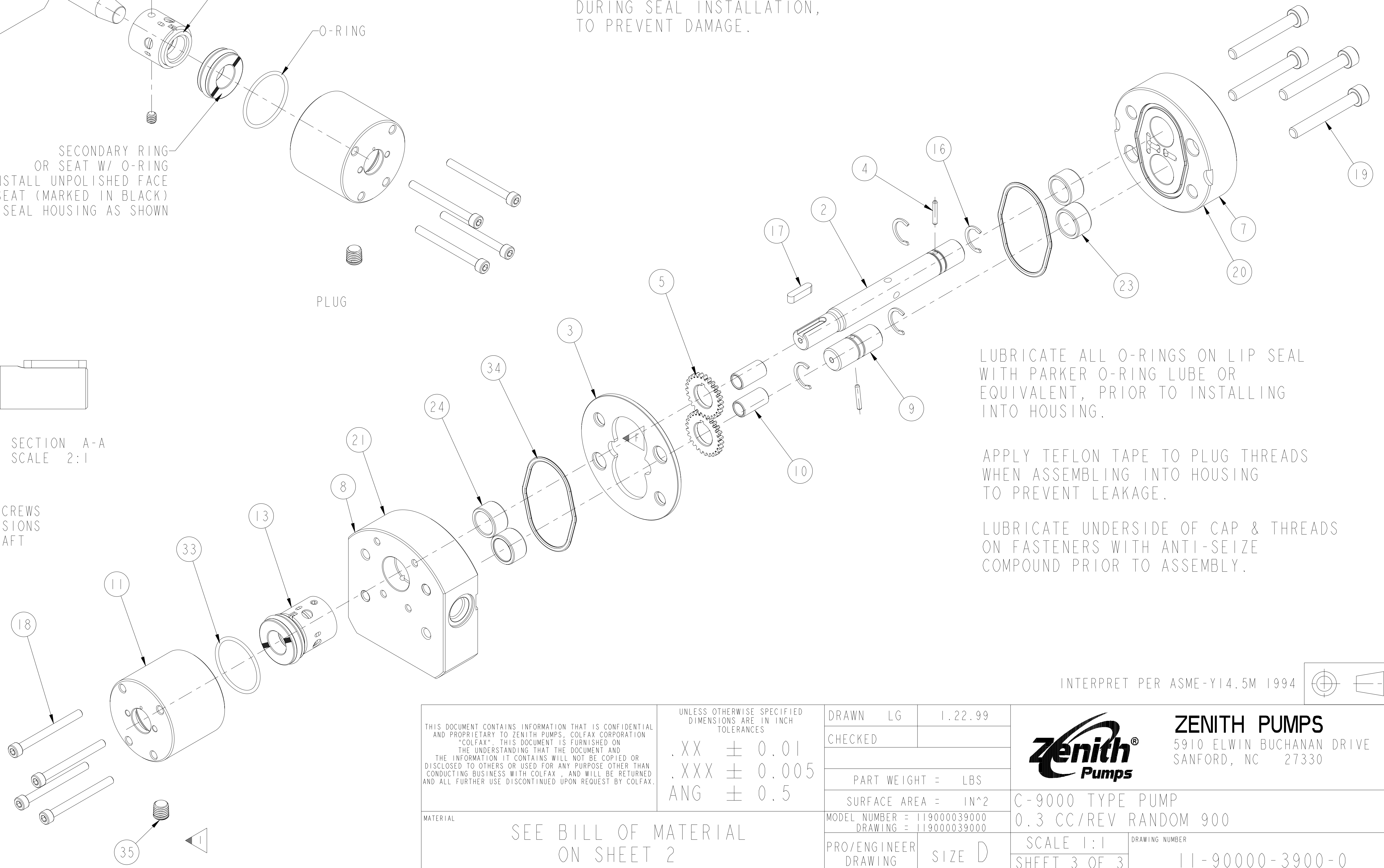
REVISIONS			
LTR	DESCRIPTION	DATE	ECN NO.
F	DOWELS WERE 15-16091-0031-1	4/15/04	163-2004
G	QTY OF RTN RING WAS 3	01/05/05	341-2004
H	CLARIFIED SEAL INSTALLATION	6/7/05	171-2005



INSTALL SEAL ASSEMBLY TOOL ONTO SHAFT TO COVER KEYWAY DURING SEAL INSTALLATION, TO PREVENT DAMAGE.



ALIGN SET SCREWS WITH DEPRESSIONS IN DRIVE SHAFT



LUBRICATE ALL O-RINGS ON LIP SEAL WITH PARKER O-RING LUBE OR EQUIVALENT, PRIOR TO INSTALLING INTO HOUSING.

APPLY TEFLON TAPE TO PLUG THREADS WHEN ASSEMBLING INTO HOUSING TO PREVENT LEAKAGE.

LUBRICATE UNDERSIDE OF CAP & THREADS ON FASTENERS WITH ANTI-SEIZE COMPOUND PRIOR TO ASSEMBLY.

INTERPRET PER ASME-Y14.5M 1994

THIS DOCUMENT CONTAINS INFORMATION THAT IS CONFIDENTIAL AND PROPRIETARY TO ZENITH PUMPS, COLFAX CORPORATION "COLFAX". THIS DOCUMENT IS FURNISHED ON THE UNDERSTANDING THAT THE DOCUMENT AND THE INFORMATION IT CONTAINS WILL NOT BE COPIED OR DISCLOSED TO OTHERS OR USED FOR ANY PURPOSE OTHER THAN CONDUCTING BUSINESS WITH COLFAX, AND WILL BE RETURNED AND ALL FURTHER USE DISCONTINUED UPON REQUEST BY COLFAX.

UNLESS OTHERWISE SPECIFIED DIMENSIONS ARE IN INCH TOLERANCES
 .XX ± 0.01
 .XXX ± 0.005
 ANG ± 0.5

MATERIAL SEE BILL OF MATERIAL ON SHEET 2

DRAWN LG 1.22.99
 CHECKED
 PART WEIGHT = LBS
 SURFACE AREA = IN²
 MODEL NUMBER = 119000039000
 DRAWING = 119000039000
 PRO/ENGINEER DRAWING SIZE D



ZENITH PUMPS
 5910 ELWIN BUCHANAN DRIVE
 SANFORD, NC 27330

C-9000 TYPE PUMP
 0.3 CC/REV RANDOM 900
 SCALE 1:1 SHEET 3 OF 3
 DRAWING NUMBER 11-90000-3900-0